








SOLIDWAVE ORIGINAL

SWV02

Two User Lavatory System

 <p>60" x 21^{5/8}" x 26^{1/2}"</p>	 <p>0.5 or 0.35 gpm</p>	 <p>IAPMO Z124-2011/CSA B45.5-11 IAPMO IGC156 ASME A112.18.2-2011/CSA B125.2-11</p>	 <p>Drain: 1 1/2" Supplies: 1/2" Inlet Pressure: 20 to 100 psi</p>	 <p>Compliance: ADA TAS Alberta Building Code</p>
--	--	--	---	--

Material & Construction

The countertop is made from anti-microbial solid surface. Solid surface is a composite material of acrylic polyester polymer resins and aluminum trihydrate fillers. The material is resistant to stains and burns and complies with ANSI Z124.3. Solid surface cleans easily with Scotchbrite®, household cleaners or fine grit sandpaper. Solid surface is available in 25 colors.

The Solidwave includes a heavy 18 gauge steel support frame. The frame is pre-assembled. The front skirt, access panels, and sides are made from 20 gauge type 304 stainless steel.

The Solidwave is supplied with 1 1/2" chromed brass grid strainers and drain assembly.

Anti-microbial

The Solidwave bowl and sides are manufactured with an anti-microbial agent. The agent is present both on the surface and on the inside of the material and will not dissipate or scratch off. In contact with moisture, anti-microbial ions will be released and effectively kill bacteria.

Activation & water distribution

Infrared detection is standard (Model#: SWV02-SEN). The system is operated by a 6V lithium battery and reacts to hands in the detection field. As an alternate the unit can be supplied with a plug-in transformer (Option suffix: -HW).

As an alternate the water distribution heads can be equipped with a pushbutton metering valve (Model#: SWV02-INH). The timing of the water is factory preset at 10 seconds.

The Solidwave can also be activated by electronic piezo touch buttons (Model#: SWV02-PZO). A very light touch on the button will open the solenoid valve. The water will flow for 10 seconds and can be shut off before earlier. An automatic flushing cycle that flushes the unit every 24 hrs can be programmed to help prevent the growth of legionnaires' bacteria (Option Suffix: -FC).

As an alternate the Solidwave can be supplied with any of AquaDesign's electronic faucets.

Lead Free

The wetted surfaces of this product contain no more than 0.25% lead by weighted average when supplied with AquaDesign's electronic water distribution head.

Optional Equipment

The Streamlav can be supplied with any of AquaDesign's faucets or can be drilled for faucets by others.

LEED Compliance

The Solidwave® contributes to meeting LEED requirements in the following categories:

- WEp1 - Water Efficiency
- WEc3 - Water Use Reduction



Each nozzle has a flow rate of 0.5 gpm. The water cycle for the pushbutton and piezo operated units lasts 10 seconds which means that 0.083 gallons of water is used per cycle. 0.35 gpm nozzles are standard on AquaDesign's faucets.

Warranty

Warranty: 5 years limited warranty on material and 1 year limited warranty on components.

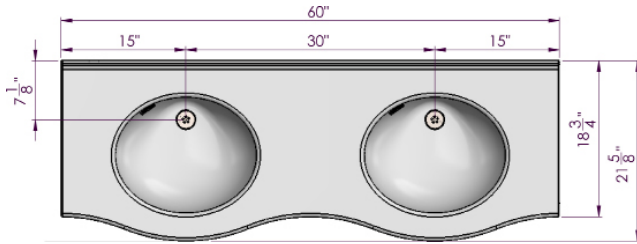
SAMPLE SPECIFICATION

Fixture shall be AquaDesign Solidwave® 2-user station handwash station (specify model and optional equipment). The bowl and deck is to made from anti-bacterial Solidguard material. The water distribution head shall be polished stainless steel and shall include a infrared detection system (alternate: pushbutton air-controlled metering valve/ piezo touch activation/Line6/Line7/Line8), and will be equipped with a thermostatic mixing valve, check valves, 0.5 gpm vandal resistant nozzle and (optional) hands-free soap system.

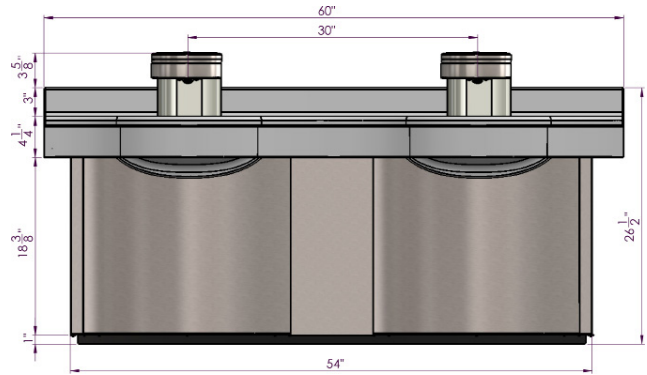


WARNING: Cancer and Reproductive Harm
www.P65Warnings.ca.gov

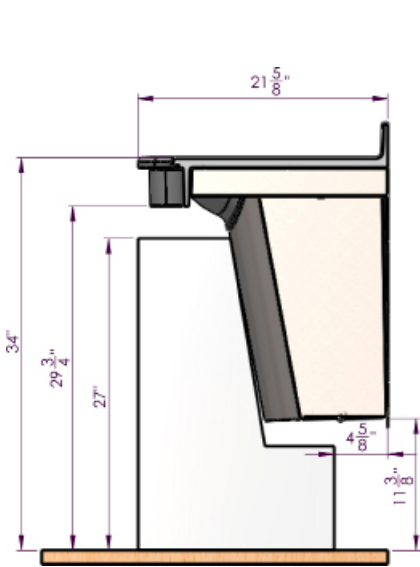
Top View



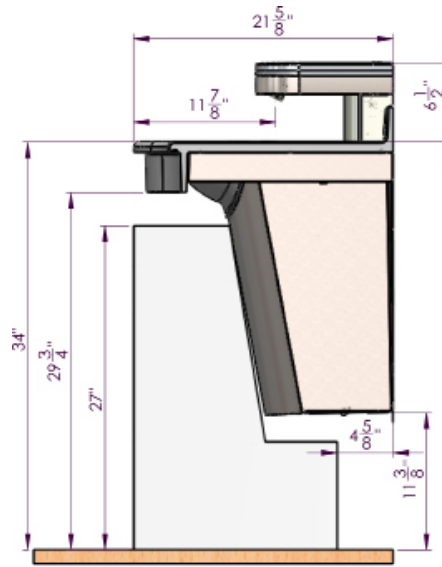
Front View



Side View Standard Height

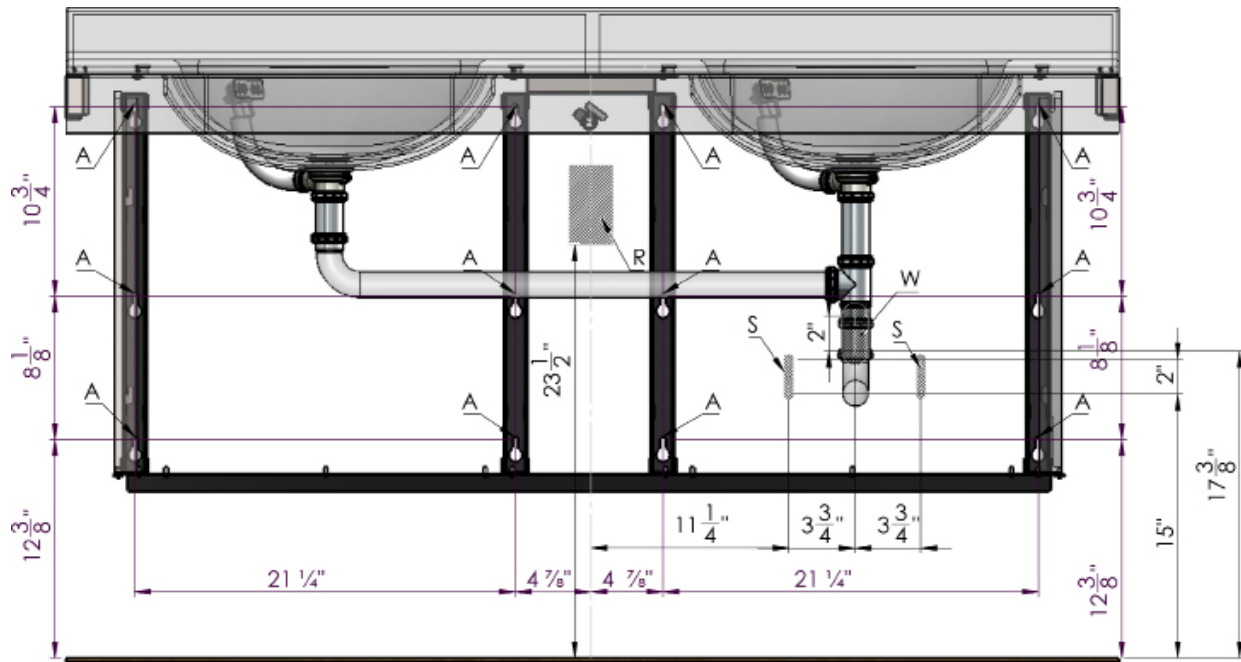


SWV02-DEK



SWV02-SEN/SWV02-INH/SWV02-PZO

Rough-In Dimensions



Notes:

1. Electrical receptacle must be wired to a GFCI protected circuit. Fixture must be earth grounded.

Code	Description
A	3/8" Anchors
W	1-1/2" NPT Drain
S	1/2" Hot Water Supply
S	1/2" Cold Water Supply
R	120V Receptacle

Height Adjustments

Standard	Rim Height	Adjustment of A, B& W
ADA & TAS Adult	34"	None
ADA Juvenile, Age 6-12	Does Not Comply	
TAS, Grades 6 through 8 or 9	Does Not Comply	
TAS, Grades Pre-K through Grades 5 or 6	Does Not Comply	

001	Base Model Number (must specify)	
<input type="checkbox"/>	SWV02	Two User Solidwave Original
002	Operation (must specify)	
<input type="checkbox"/>	-SEN	Sensor Operated Sprayhead
<input type="checkbox"/>	-INH	Pushbutton Operated Sprayhead
<input type="checkbox"/>	-PZO	Piezo Touch Activated Sprayhead
<input type="checkbox"/>	-L06	Line 6 Faucet
<input type="checkbox"/>	-L07	Line 7 Faucet
<input type="checkbox"/>	-L08	Line 8 Faucet
<input type="checkbox"/>	-L09	Line 9 Faucet
<input type="checkbox"/>	-DEK	No Faucets
003	Soap (must specify)	
<input type="checkbox"/>	-N	No Soap
<input type="checkbox"/>	-L	Liquid Sensor Soap (for Sprayheads Only)
<input type="checkbox"/>	-SD7	Line 7 Soap Dispenser (for Faucets Only)
<input type="checkbox"/>	-SD8	Line 8 Soap Dispenser (for Faucets Only)
<input type="checkbox"/>	-SD9	Line 9 Soap Dispenser (for Faucets Only)
004	Supply (must specify)	
<input type="checkbox"/>	-TEM	Tempered or Cold Water
<input type="checkbox"/>	-TMV	Thermostatic Mixing Valve
<input type="checkbox"/>	-STE	240V Instantaneous Water Heater
005	Color (must specify)	
	<u>Standard Colors</u>	
<input type="checkbox"/>	-AB	Adobe Brown
<input type="checkbox"/>	-AW	Ash White
<input type="checkbox"/>	-CG	Country Green
<input type="checkbox"/>	-CO	Concrete grey
<input type="checkbox"/>	-DB	Designer Black
<input type="checkbox"/>	-ES	Egyptian Sand
<input type="checkbox"/>	-MB	Midnight Blue
<input type="checkbox"/>	-MG	Misty Grey
<input type="checkbox"/>	-PB	Pearl Black
<input type="checkbox"/>	-PW	Polar White
<input type="checkbox"/>	-SA	Sandstone
<input type="checkbox"/>	-TG	Twilight Grey
	<u>Designer Colors</u>	
<input type="checkbox"/>	-AC	Amalfi Coast
<input type="checkbox"/>	-BB	Belgian Blue
<input type="checkbox"/>	-BF	Black Forrest
<input type="checkbox"/>	-CA	Carrara Grey
<input type="checkbox"/>	-CC	Cebolla Creek
<input type="checkbox"/>	-CP	Caledonia Pearl
<input type="checkbox"/>	-PC	Portofina Crema
<input type="checkbox"/>	-PS	Paris Stone
<input type="checkbox"/>	-RS	San Cristobal Silver
<input type="checkbox"/>	-SR	Sydney Rock Oyster
<input type="checkbox"/>	-UB	Ubatuba Brown
<input type="checkbox"/>	-VM	Vienna Mist
006	Faucet Options	
<input type="checkbox"/>	-HW	Low Voltage Class II Plug-In Transformer (1 per faucet)
<input type="checkbox"/>	-CS	Hole Drilling for Center Set Faucets
<input type="checkbox"/>	-4C	Hole Drilling for 4" Center Faucets
<input type="checkbox"/>	-8C	Hole Drilling for 8" Center Faucets