



# STREAMLAV LEGACY

SL02-B

## Two User Lavatory System

 <p>60" x 21½" x 20¼"</p>	 <p><b>Intersan Faucets:</b></p> <p>0.35 gpm</p>	 <p>IAPMO Z124-2011/CSA B45.5-11 IAPMO IGC156 ASME A112.18.2-2011/CSA B125.2-11</p>	 <p>Drain: 1 ½" Supplies: ½"</p>	 <p><b>Compliance:</b> ADA TAS Alberta Building Code</p>
--	---	--	---	---

### Material & Construction

The countertop and side covers of skirt are made from anti-microbial solid surface. Solid surface is a composite material of acrylic polyester polymer resins and aluminum trihydrate fillers. The material is resistant to stains and burns and complies with ANSI Z124.3. Solid surface cleans easily with Scotchbrite®, household cleaners or fine grit sandpaper. Solid surface is available in 25 colors.

The Streamlav includes a heavy 18 gauge steel support frame. The frame is pre-assembled. The front skirt is made from 20 gauge type 304 stainless steel.

The Streamlav™ is supplied with 1 ½" chromed brass grid strainers and drain assembly.

### Anti-microbial

The Streamlav bowl and sides are manufactured with an anti-microbial agent. The agent is present both on the surface and on the inside of the material and will not dissipate or scratch off. In contact with moisture, anti-microbial ions will be released and effectively kill bacteria.

### Activation & water distribution

The Streamlav is available with different sensor faucet options

### Standard Equipment

One-piece bowl in anti-bacterial solid surface material, solid surface side covers, stainless steel mounting frame and skirt, and tail piece. When supplied with Intersan's faucets the unit is also comes standard with a single supply manifold and batteries for the faucets.

### Optional Equipment

The Streamlav can be supplied with any of Intersan's faucets or can be drilled for faucets by others.

### LEED Compliance

When supplied with Intersan's faucets, The Streamlav contributes to meeting LEED requirements in the following categories:

- WEp1 - Water Efficiency
- WEc3 - Water Use Reduction

Each nozzle has a flow rate of 0.35 gpm. The water cycle for the pushbutton operated units lasts 10 seconds which means that 0.058 gallons of water is used per cycle.

### Accessibility

Standard Height: The Streamlav is designed to meet all ADA and TAS guidelines when mounted at the standard rim height of 34".

Juvenile Height: The Streamlav complies with ADA and TAS guidelines for the various juvenile categories when mounted at the proper rim height.

### Technical

- Drain size: 1 ½"
- Warranty: 5 years limited warranty on material and 1 year limited warranty on components.

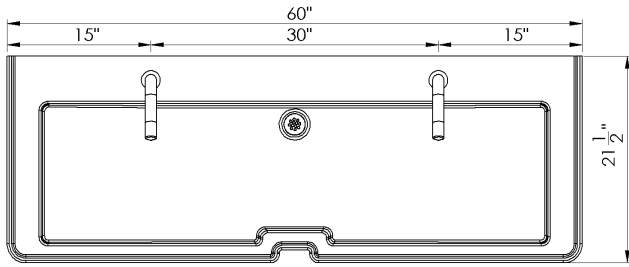
### SAMPLE SPECIFICATION

Fixture shall be Intersan Streamlav two user handwash station. Countertop and side panels are made from anti-microbial solid surface. Front cover plate and frame assembly are constructed of 304 stainless steel.

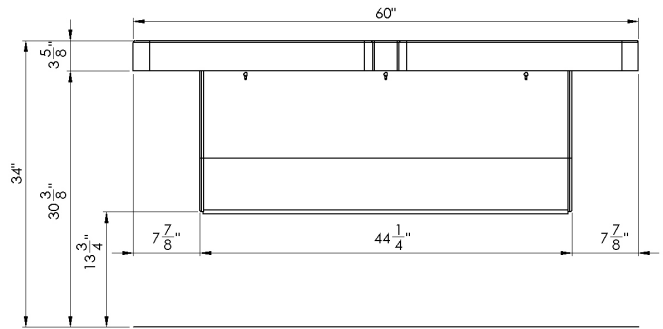


WARNING: Cancer and Reproductive Harm  
www.P65Warnings.ca.gov

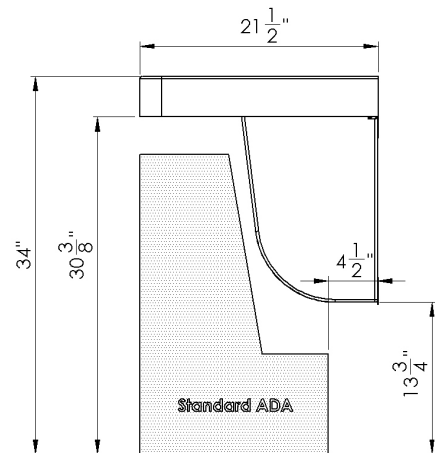
Top View



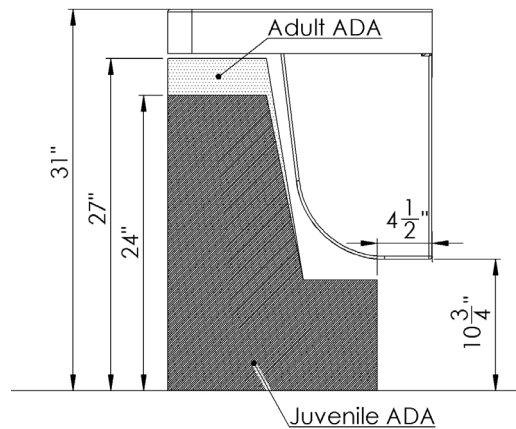
Front View



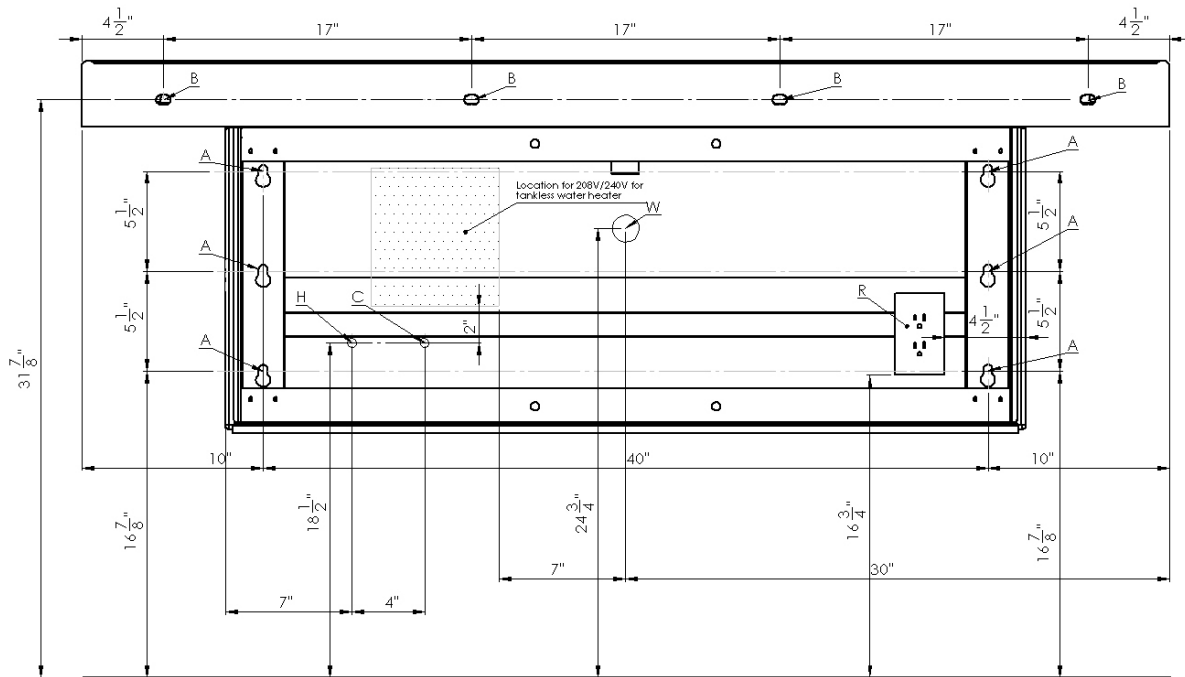
Side View Standard Height



Ada Adult and Juvenile with Single Mounting Height



### Rough-In Dimensions



Code	Description
A	3/8" Anchors
W	1-1/2" NPT Drain
H	1/2" Hot Water Supply
C	1/2" Cold Water Supply
R	120V Receptacle

### Height Adjustments

Standard	Rim Height	Adjustment of A, B & W
ADA & TAS Adult	34"	None
ADA Juvenile, Age 6-12	31"	Subtract 3" from height in drawing
TAS, Grades 6 through 8 or 9	32"	Subtract 2" from height in drawing
TAS, Grades Pre-K through Grades 5 or 6	30"	Subtract 4" from height in drawing

<b>001</b>	<b>Base Model Number (must specify)</b>	
<input type="checkbox"/>	SL02-B	Two user Streamlav Legacy - Stainless Skirt
<b>002</b>	<b>Operation (must specify)</b>	
<input type="checkbox"/>	-L06	Line 6 Faucet
<input type="checkbox"/>	-L07	Line 7 Faucet
<input type="checkbox"/>	-L08	Line 8 Faucet
<input type="checkbox"/>	-L09	Line 9 Faucet
<input type="checkbox"/>	-DEK	No Faucets
<b>003</b>	<b>Supply (must specify)</b>	
<input type="checkbox"/>	-TEM	Tempered or Cold Water
<input type="checkbox"/>	-TMV	Thermostatic Mixing Valve
<input type="checkbox"/>	-STE	240V Instantaneous Water Heater
<b>004</b>	<b>Color (must specify)</b>	
	<u>Standard Colors</u>	
<input type="checkbox"/>	-AB	Adobe Brown
<input type="checkbox"/>	-AW	Ash White
<input type="checkbox"/>	-CG	Country Green
<input type="checkbox"/>	-CO	Concrete grey
<input type="checkbox"/>	-DB	Designer Black
<input type="checkbox"/>	-ES	Egyptian Sand
<input type="checkbox"/>	-MB	Midnight Blue
<input type="checkbox"/>	-MG	Misty Grey
<input type="checkbox"/>	-PB	Pearl Black
<input type="checkbox"/>	-PW	Polar White
<input type="checkbox"/>	-SA	Sandstone
<input type="checkbox"/>	-TG	Twilight Grey
	<u>Designer Colors</u>	
<input type="checkbox"/>	-AC	Amalfi Coast
<input type="checkbox"/>	-BB	Belgian Blue
<input type="checkbox"/>	-BF	Black Forrest
<input type="checkbox"/>	-CA	Carrara Grey
<input type="checkbox"/>	-CC	Cebolla Creek
<input type="checkbox"/>	-CP	Caledonia Pearl
<input type="checkbox"/>	-PC	Portofina Crema
<input type="checkbox"/>	-PS	Paris Stone
<input type="checkbox"/>	-RS	San Cristobal Silver
<input type="checkbox"/>	-SR	Sydney Rock Oyster
<input type="checkbox"/>	-UB	Ubatuba Brown
<input type="checkbox"/>	-VM	Vienna Mist
<b>005</b>	<b>Stand Alone Soap Dispensers</b>	
<input type="checkbox"/>	-SD7	Line 7 Soap Dispenser
<input type="checkbox"/>	-SD8	Line 8 Soap Dispenser
<input type="checkbox"/>	-SD9	Line 9 Soap Dispenser
<b>006</b>	<b>Faucet Options</b>	
<input type="checkbox"/>	-HW	Low Voltage Class II Plug-In Transformer (1 per faucet)
<input type="checkbox"/>	-CS	Hole Drilling for Center Set Faucets
<input type="checkbox"/>	-4C	Hole Drilling for 4" Center Faucets
<input type="checkbox"/>	-8C	Hole Drilling for 8" Center Faucets

All information including dimensions, changes in design and material are subject to manufacturer's change without formal notice and without obligation. Intersan assumes no responsibility for use of superseded or voided information. Verify all rough-in information before installation. It is the responsibility of the installer to conform with local and national codes.