




# STREAMLAV LEGACY

SL03-A

## Three User Lavatory System

 <p>90" x 21½" x 10½"</p>	 <p><b>Intersan Faucets:</b></p> <p>0.35 gpm</p>	 <p>IAPMO Z124-2011/CSA B45.5-11 IAPMO IGC156 ASME A112.18.2-2011/CSA B125.2-11</p>	 <p>Drain: 1 ½" Supplies: ½"</p>	 <p><b>Compliance:</b> ADA TAS Alberta Building Code Ontario Barrier Free BC Building Code Code de Construction de Québec</p>
--	---	--	---	--

### Material & Construction

The countertop and is made from anti-microbial solid surface. Solid surface is a composite material of acrylic polyester polymer resins and aluminum trihydrate fillers. The material is resistant to stains and burns and complies with ANSI Z124.3. Solid surface cleans easily with Scotchbrite®, household cleaners or fine grit sandpaper. Solid surface is available in 25 colors.

The Streamlav includes a heavy gauge steel powder coated support brackets.

The Streamlav™ is supplied with 1 ½" chromed brass grid strainers and drain assembly.

### Anti-microbial

The Streamlav bowl and sides are manufactured with an anti-microbial agent. The agent is present both on the surface and on the inside of the material and will not dissipate or scratch off. In contact with moisture, anti-microbial ions will be released and effectively kill bacteria.

### Activation & water distribution

The Streamlav is available with different sensor faucet options

### Standard Equipment

One-piece bowl in anti-bacterial solid surface material, solid surface side covers, stainless steel mounting frame and skirts, and tail pieces. When supplied with Intersan's faucets the unit is also comes standard with a single supply manifold and batteries for the faucets.

### Optional Equipment

The Streamlav can be supplied with any of Intersan's faucets or can be drilled for faucets by others.

### LEED Compliance

When supplied with Intersan's faucets, The Streamlav contributes to meeting LEED requirements in the following categories:

- WEp1 - Water Efficiency
- WEc3 - Water Use Reduction

Each nozzle has a flow rate of 0.35 gpm. The water cycle for the pushbutton operated units lasts 10 seconds which means that 0.058 gallons of water is used per cycle.



### Accessibility

Standard Height: The Streamlav is designed to meet all ADA and TAS guidelines when mounted at the standard rim height of 34".

Juvenile Height: The Streamlav complies with ADA and TAS guidelines for the various juvenile categories when mounted at the proper rim height.

The installer is responsible for providing anti-scald protection.

### Technical

- Drain size: 1 ½"
- Warranty: 5 years limited warranty on material and 1 year limited warranty on components.

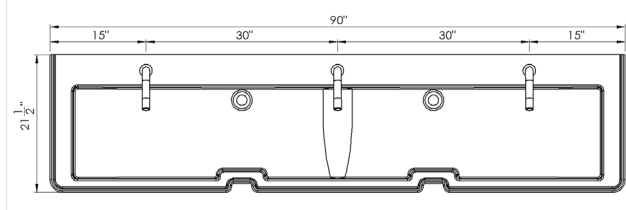
### SAMPLE SPECIFICATION

Fixture shall be Intersan Streamlav 3-user hand wash station. Countertop is made from anti-microbial solid surface.

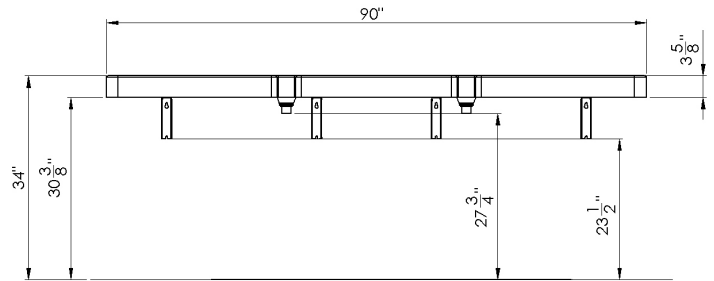


WARNING: Cancer and Reproductive Harm  
www.P65Warnings.ca.gov

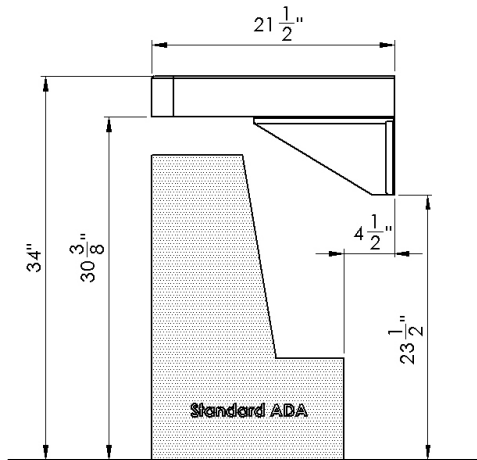
Top View



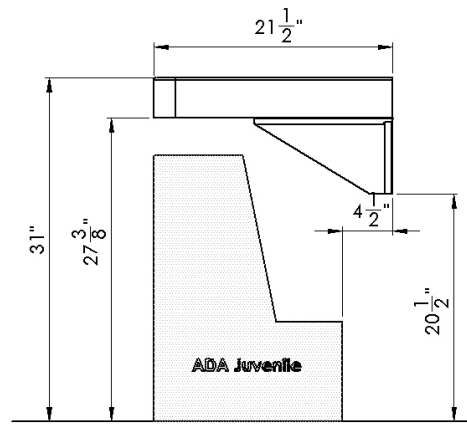
Front View



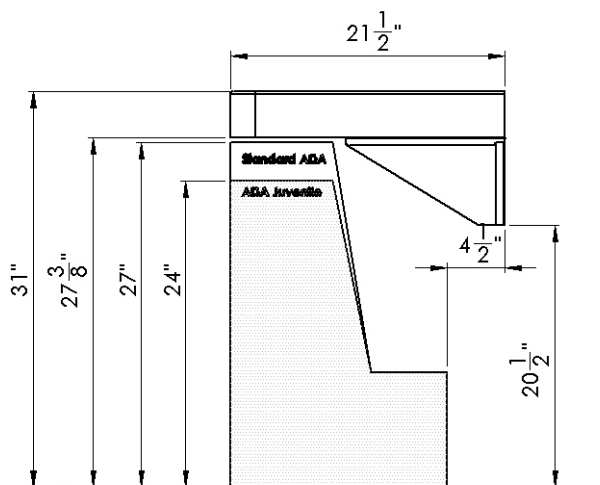
Side View Standard Height



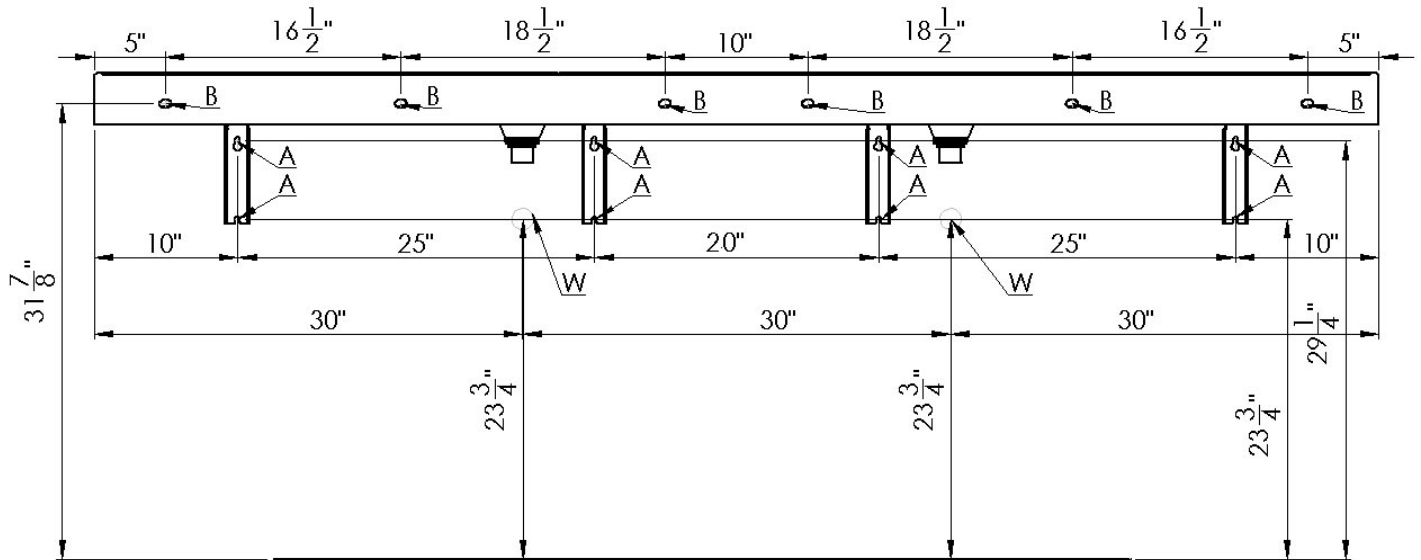
Side View Juvenile Height Ages 6-12



Ada Adult and Juvenile with Single Mounting Height



### Rough-In Dimensions



Code	Description
A	3/8" Anchors
B	3/8" Anchors
W	1-1/2" NPT Drain

### Height Adjustments

Standard	Rim Height	Adjustment of A, B & W
ADA & TAS Adult	34"	None
ADA Juvenile, Age 6-12	31"	Subtract 3" from height in drawing
TAS, Grades 6 through 8 or 9	32"	Subtract 2" from height in drawing
TAS, Grades Pre-K through Grades 5 or 6	30"	Subtract 4" from height in drawing

<b>001</b>	<b>Base Model Number (must specify)</b>	
<input type="checkbox"/>	SL03-A	Two user Streamlav Legacy - No Skirt
<b>002</b>	<b>Operation (must specify)</b>	
<input type="checkbox"/>	-L06	Line 6 Faucet
<input type="checkbox"/>	-L07	Line 7 Faucet
<input type="checkbox"/>	-L08	Line 8 Faucet
<input type="checkbox"/>	-L09	Line 9 Faucet
<input type="checkbox"/>	-DEK	No Faucets
<b>003</b>	<b>Supply (must specify)</b>	
<input type="checkbox"/>	-TEM	Tempered or Cold Water
<input type="checkbox"/>	-TMV	Thermostatic Mixing Valve
<input type="checkbox"/>	-STE	240V Instantaneous Water Heater
<b>004</b>	<b>Color (must specify)</b>	
	<u>Standard Colors</u>	
<input type="checkbox"/>	-AB	Adobe Brown
<input type="checkbox"/>	-AW	Ash White
<input type="checkbox"/>	-CG	Country Green
<input type="checkbox"/>	-CO	Concrete grey
<input type="checkbox"/>	-DB	Designer Black
<input type="checkbox"/>	-ES	Egyptian Sand
<input type="checkbox"/>	-MB	Midnight Blue
<input type="checkbox"/>	-MG	Misty Grey
<input type="checkbox"/>	-PB	Pearl Black
<input type="checkbox"/>	-PW	Polar White
<input type="checkbox"/>	-SA	Sandstone
<input type="checkbox"/>	-TG	Twilight Grey
	<u>Designer Colors</u>	
<input type="checkbox"/>	-AC	Amalfi Coast
<input type="checkbox"/>	-BB	Belgian Blue
<input type="checkbox"/>	-BF	Black Forrest
<input type="checkbox"/>	-CA	Carrara Grey
<input type="checkbox"/>	-CC	Cebolla Creek
<input type="checkbox"/>	-CP	Caledonia Pearl
<input type="checkbox"/>	-PC	Portofina Crema
<input type="checkbox"/>	-PS	Paris Stone
<input type="checkbox"/>	-RS	San Cristobal Silver
<input type="checkbox"/>	-SR	Sydney Rock Oyster
<input type="checkbox"/>	-UB	Ubatuba Brown
<input type="checkbox"/>	-VM	Vienna Mist
<b>005</b>	<b>Stand Alone Soap Dispensers</b>	
<input type="checkbox"/>	-SD7	Line 7 Soap Dispenser
<input type="checkbox"/>	-SD8	Line 8 Soap Dispenser
<input type="checkbox"/>	-SD9	Line 9 Soap Dispenser
<b>006</b>	<b>Faucet Options</b>	
<input type="checkbox"/>	-HW	Low Voltage Class II Plug-In Transformer (1 per faucet)
<input type="checkbox"/>	-CS	Hole Drilling for Center Set Faucets
<input type="checkbox"/>	-4C	Hole Drilling for 4" Center Faucets
<input type="checkbox"/>	-8C	Hole Drilling for 8" Center Faucets