






# Shelf

# ALF02

## Ligature Resistant Shelf

 <p><b>Approvals</b></p> <p>UK Ministry of Justice (NOMS) Safer Cell approval</p> <p>Non flammable, BS476 Pt 6 &amp; 7 Class '0' and Class '1'</p> <p>ISO EN 19712-3-2007 rated 5 for durability, stain resistance, cigarette burns etc</p>	 <p><b>Technical</b></p> <p>Dimensions (WxHxD): 9<sup>1/4</sup>" x 4<sup>7/8</sup>" x 3<sup>15/16</sup>"</p>	 <p><b>Materials</b></p> <p>Solid Surface</p>
--	---	--

### Description

The ALF02 high security shelf is made from highly damage resistant composite solid surface polyester resin. Manufactured as part of Wallgate by Intersan's secure range of sanitary ware, the ALF Shelf is tested and approved to the highest standards and specifications.

The standard ALF02 models is intended for through-wall installation, where mounting hardware are provided. In this model, holes are drilled through the wall, and the mounting bolts thread into inserts installed on the back corners of the shelf bezel. The bolts extend through the wall, and are secured from behind the wall with washers and bolts. Note: to install this shelf as it is designed to be installed, you must have a duct or chase space behind the installation wall where you can attach and secure the mounting hardware from behind that wall. If this is not available, then review the front mount model below.

Note the shelf may also be secured to the wall by eliminating the "through-wall" mounting bolts, and using a structural adhesive to permanently adhere the shelves to the wall.

For projects that do not have a chase or duct, an alternative front mount installation option is available with the ALF02-FF model. The Front Mount model is pre-drilled with four countersunk screw holes. It is strongly recommended that you use torx style screws to mount the shelf to the wall. Simply fix the shelf securely to your wall, (ensuring that you fasten it securely to a wall with a secure substrate to ensure a secure installation of the shelf).

### Features

- Ligature resistant
- Vandal resistant
- ISO EN 19712-3-2007 rated 5 for durability, stain resistance, cigarette burns etc
- Hygienic and easily cleaned
- Proven long-term product life

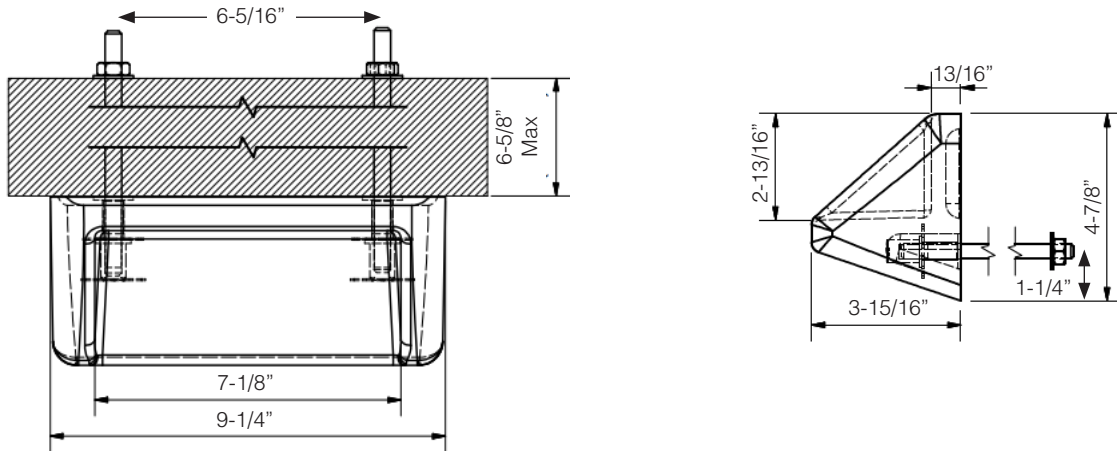
<p>001 <b>Base Model Number</b> (must specify)</p>						
<table> <tr> <td><input type="checkbox"/></td> <td>ALF02</td> <td>Through Wall Mount Shelf</td> </tr> <tr> <td><input type="checkbox"/></td> <td>ALF02-FF</td> <td>Front Wall Mount Shelf</td> </tr> </table>	<input type="checkbox"/>	ALF02	Through Wall Mount Shelf	<input type="checkbox"/>	ALF02-FF	Front Wall Mount Shelf
<input type="checkbox"/>	ALF02	Through Wall Mount Shelf				
<input type="checkbox"/>	ALF02-FF	Front Wall Mount Shelf				



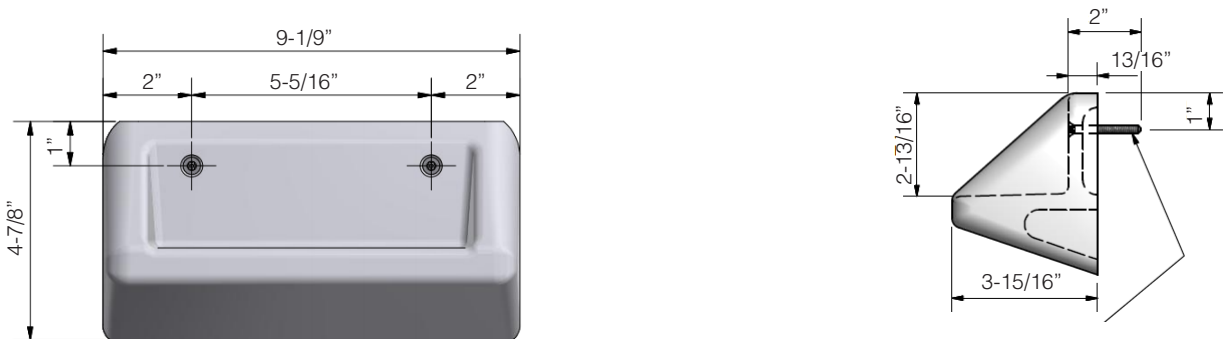
**WARNING:** Cancer and Reproductive Harm  
[www.P65Warnings.ca.gov](http://www.P65Warnings.ca.gov)

Dimensions

ALF02 - Through Wall Mount



ALF02 - Front Wall Mount



In the absence of a legal or industry definition of anti-ligature or ligature resistant products, when we use these terms, we are referring to products that are designed and manufactured with the intention of reducing the risk of ligature attachment to the product(s). Wallgate will always endeavour to design and test our anti-ligature product(s) to reduce the risk of product ligature attachment that may result in serious injury or death. Whilst all reasonable measures are taken at the time of design, the anti-ligature design of the products are not intended to and will not:

- a. Replace protective measures that need to be taken in the specific circumstances of usage;
- b. Substitute the need for supervision of those who may be at risk;
- c. Protect and or prevent those at risk against any self-harm instances that may occur when installed; and
- d. Protect and or prevent injury when the risks were unknown to us at the time of the design of the product(s).

Wallgate and The Intersan Group do not offer and do not represent or warrant that any product(s) for sale that are ligature-free. Therefore, Wallgate and The Intersan Group will not be liable for any claims, loss, or damages arising from ligature attachment on our products. It is the purchaser's responsibility to ensure that products purchased and installed are suitable for the environments in which they are installed, and suitable supervision and protective measures are in place to protect those at risk.

Whilst all reasonable care has been taken in compiling the information in this document, the designs, dimensions and products shown are indicative only and should not be relied upon without our prior approval. Due to our policy of continuous development, we reserve the right to alter any details of specifications or products without notice. All information, drawings, technical specifications and product designs remains the property of Galvin Engineering Pty Ltd.