






# Mirror

# ALM02

## Ligature Resistant Mirror

 <p><b>Approvals</b></p> <p>UK Ministry of Justice (NOMS) Safer Cell approval</p> <p>Non flammable, BS476 Pt 6 &amp; 7 Class '0' and Class '1'</p> <p>ISO EN 19712-3-2007 rated 5 for durability, stain resistance, cigarette burns etc</p>	 <p><b>Technical</b></p> <p>Dimensions (HxWxD): 14<sup>1/8"</sup> x 10<sup>1/4"</sup> x 3/4"</p>	 <p><b>Materials</b></p> <p>Solid Surface Polycarbonate</p>
--	---	--

### Description

The Wallgate by AquaDesign high security mirror is made from tough polycarbonate encased in highly damage resistant composite solid surface polyester resin. Manufactured as part of Wallgate by AquaDesign's secure range of sanitaryware, the ALM02 Mirror is ligature-resistant and vandal-resistant, and is tested and approved to the highest standards.

The standard ALM-02 model is intended for "through-wall" installation, where mounting hardware (fixings) are provided. In these two models, holes are drilled through the wall, and the mounting bolts thread into the back of the mirror bezel, and extend through the wall, and are secured from behind the installation wall with washers and bolts.

Safety torx screw surface mount installation method: the mirror is also available in a front-mount installation method that eliminates the need for a chase or duct space behind the installation wall. The ALM-02FF surface mount mirror models are provided with predrilled bezels, and safety torx style security screws are provided that allow installation directly to a wall, eliminating the need for access behind a wall to complete installation.

### Installation

The mirror can be installed using structural adhesive to bond the frame to the wall, or alternatively holes can be drilled through the frame at each corner so that it can be fixed using security pin TORX tamperproof countersunk head screws. Optional model ALM-02FF has pre-drilled holes.

The 3/16" flat surface around the edges of the frame are to facilitate the application of an anti pick hard set mastic such as Dow Corning 995 Silicone Structural Sealant or Sikaflex 11FC to seal it to the wall, use a suitable tool to profile the mastic so that it follows the angle of the frame

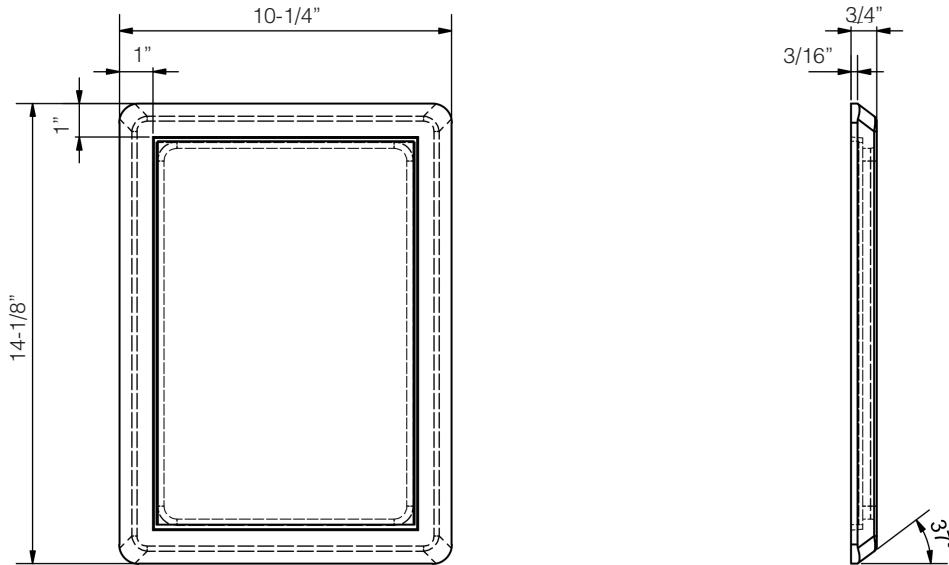
001	<b>Base Model Number</b> (must specify)	
<input type="checkbox"/>	ALM02	Through Wall Mount Mirror
<input type="checkbox"/>	ALM02-FF	Front Wall Mount Mirror



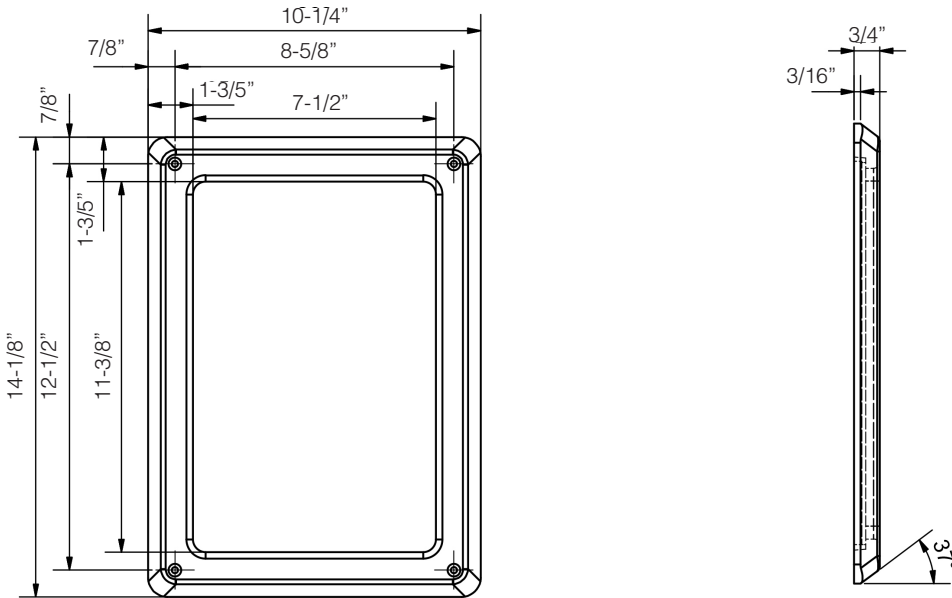
**WARNING:** Cancer and Reproductive Harm  
[www.P65Warnings.ca.gov](http://www.P65Warnings.ca.gov)

Dimensions

ALM02 - Through Wall Mount



ALM02 - Front Wall Mount



In the absence of a legal or industry definition of anti-ligature or ligature resistant products, when we use these terms, we are referring to products that are designed and manufactured with the intention of reducing the risk of ligature attachment to the product(s). Wallgate will always endeavour to design and test our anti-ligature product(s) to reduce the risk of product ligature attachment that may result in serious injury or death. Whilst all reasonable measures are taken at the time of design, the anti-ligature design of the products are not intended to and will not:

- a. Replace protective measures that need to be taken in the specific circumstances of usage;
- b. Substitute the need for supervision of those who may be at risk;
- c. Protect and or prevent those at risk against any self-harm instances that may occur when installed; and
- d. Protect and or prevent injury when the risks were unknown to us at the time of the design of the product(s).

Wallgate and The Intersan Group do not offer and do not represent or warrant that any product(s) for sale that are ligature-free. Therefore, Wallgate and The Intersan Group will not be liable for any claims, loss, or damages arising from ligature attachment on our products. It is the purchaser's responsibility to ensure that products purchased and installed are suitable for the environments in which they are installed, and suitable supervision and protective measures are in place to protect those at risk.

Whilst all reasonable care has been taken in compiling the information in this document, the designs, dimensions and products shown are indicative only and should not be relied upon without our prior approval. Due to our policy of continuous development, we reserve the right to alter any details of specifications or products without notice. All information, drawings, technical specifications and product designs remains the property of Galvin Engineering Pty Ltd.