


Towel Hook

THK

Ligature Resistant Towel Hook

Materials	Listings
 Stainless Steel and rubber	Design Guide for the Built Environment of Behavioral Health Facilities Patient Safety Standards, Materials and Systems Guidelines Recommended by the New York State Office of Mental Health (OMH)

Description

The coat and towel holder has a flexible rubber hook which is fixed within a stainless steel powder coated surround and has a low load release threshold.

Made from a low shore rating rubber with a high silicone and fixed by two, four or six security torx screws that pass through both the stainless steel surround and the rubber.

The THK towel hook is available with one, two or four hooks.

Installation

- Mark out the tow, four or six fixing holes using the template provided
- Drill all fixing holes using suitable wall plugs (not supplied) where necessary
- Secure in place using the two, four or six security screws provided

Operation

Designed for garment and towels up to 33lbs (15 kg) in weight secured using two security screws.

Maintenance

Periodic checks should be made to ensure the screws remain tight and that the rubber has not been damaged.

Cleaning

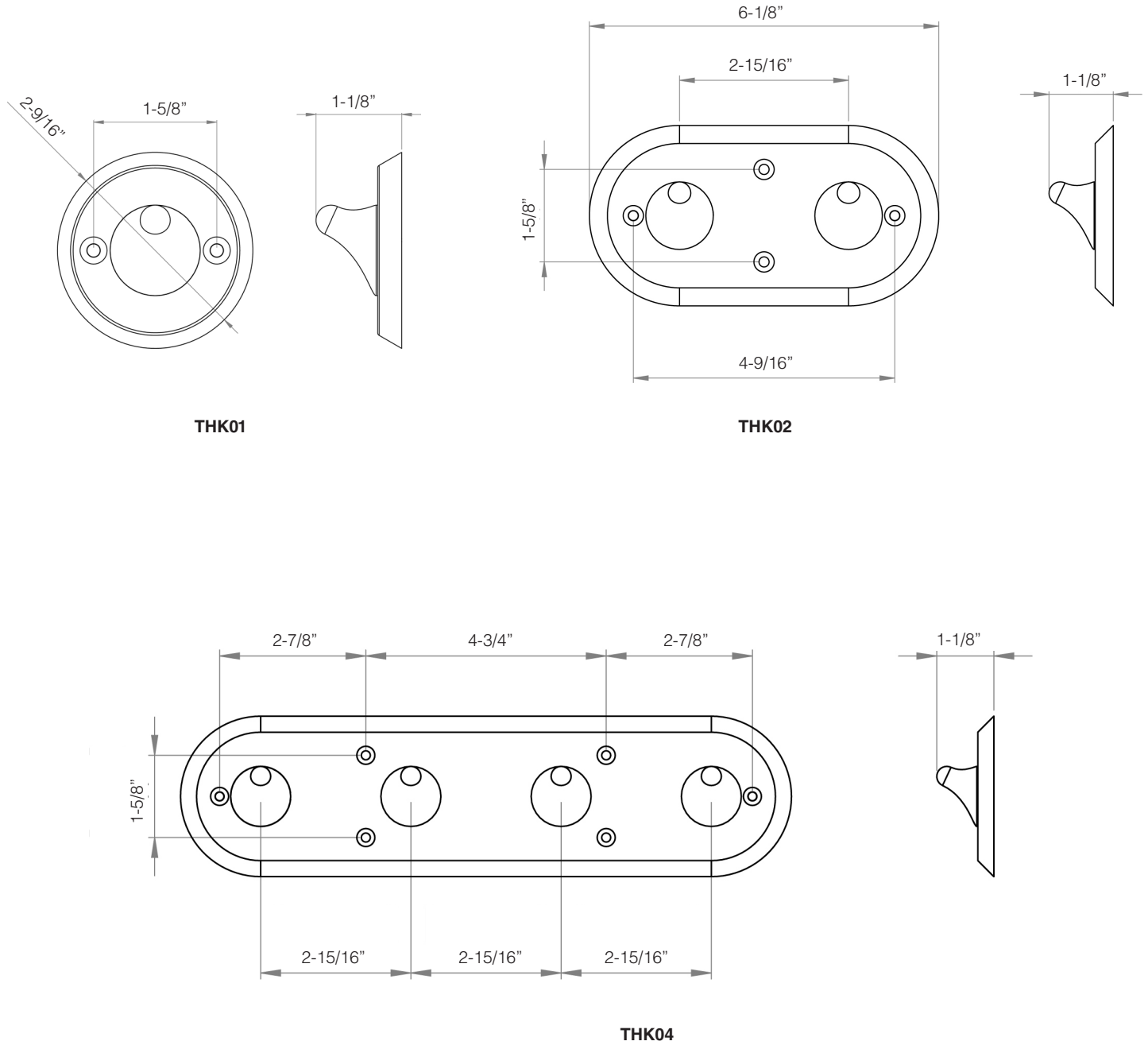
Cleaning should only be done with a damp cloth and cleaning detergents should be avoided.

001	Base Model Number (must specify)	
<input type="checkbox"/>	THK01	Ligature Resistant Towel Hook - One Hook
<input type="checkbox"/>	THK02	Ligature Resistant Towel Hook - Two Hooks
<input type="checkbox"/>	THK04	Ligature Resistant Towel Hook - Four Hook



WARNING: Cancer and Reproductive Harm
www.P65Warnings.ca.gov

Dimensions



In the absence of a legal or industry definition of anti-ligature or ligature resistant products, when we use these terms, we are referring to products that are designed and manufactured with the intention of reducing the risk of ligature attachment to the product(s). PSD LLC will always endeavour to design and test our anti-ligature product(s) to reduce the risk of product ligature attachment that may result in serious injury or death. Whilst all reasonable measures are taken at the time of design, the anti-ligature design of the products are not intended to and will not:

- a. Replace protective measures that need to be taken in the specific circumstances of usage;
- b. Substitute the need for supervision of those who may be at risk;
- c. Protect and or prevent those at risk against any self-harm instances that may occur when installed; and
- d. Protect and or prevent injury when the risks were unknown to us at the time of the design of the product(s).

PSD LLC does not offer and do not represent or warrant that any product(s) for sale that are ligature-free. Therefore, PSD LLC will not be liable for any claims, loss, or damages arising from ligature attachment on our products. It is the purchaser's responsibility to ensure that products purchased and installed are suitable for the environments in which they are installed, and suitable supervision and protective measures are in place to protect those at risk. Whilst all reasonable care has been taken in compiling the information in this document, the designs, dimensions and products shown are indicative only and should not be relied upon without our prior approval. Due to our policy of continuous development, we reserve the right to alter any details of specifications or products without notice. All information, drawings, technical specifications and product designs remains the property of PSD LLC.