




Grab Bar

GBK

Ligature Resistant Grab Bar

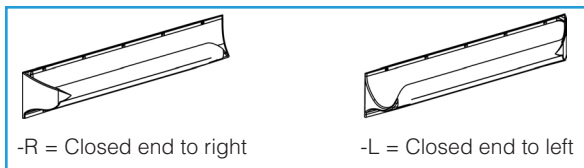
Materials	Listings
 Powder Coated Steel	Patient Safety Standards, Materials and Systems Guidelines Recommended by the New York State Office of Mental Health (OMH)

Description

The washroom grab rail is a handrail section with a closed and open end cap. It is suitable for use either as a vertical rail beside a mirror or on the wall behind the pan or at 15° beside the pan or on the back of the door.

Finished in white powder coating and supplied with security screws.

The grab bar is available with a left hand or right hand opening. Standard lengths are: 18", 24", 30", 36", 42" and 48".



Installation

- Place the grab rail on the wall and mark out the screw holes.
- Drill holes for the screw holes and insert plugs
- Secure the grab rail in place using the security screws provided

Operation

To grip the grabbar correctly, the fingers should curl round the grab rail with the thumb supporting from the outside.

Maintenance

Designed to be maintenance free.

Cleaning

Cleaning should only be done with a damp cloth and mild cleaning detergents should be avoided.

Load Resistance

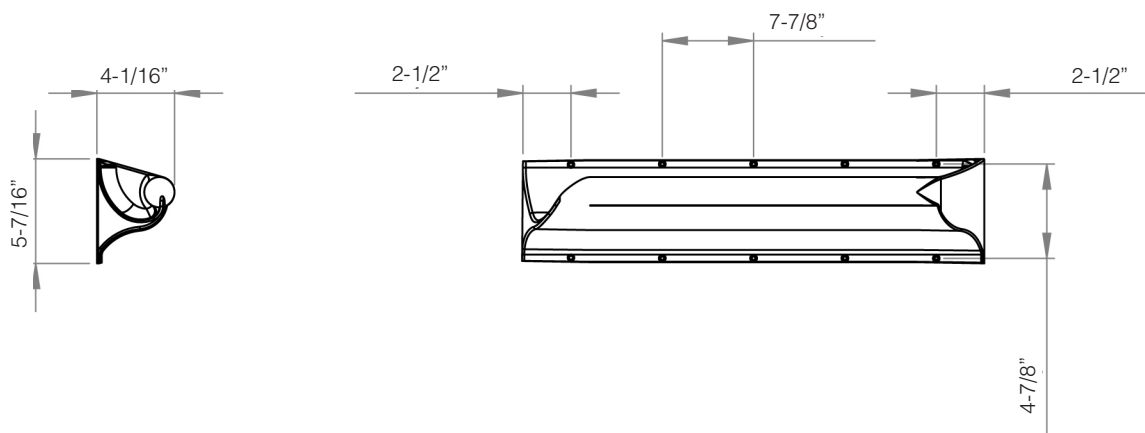
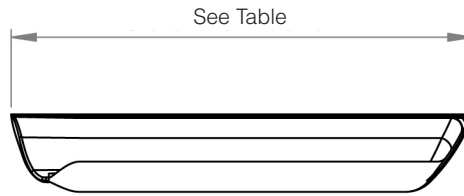
Our range of grab bars have been designed to comply and surpass the ADAAG requirements as set out in ICC/ANSIA117.1-2003 and CFR 28 part 36, Federal Register Volume 56 No 144, 26 July 1991. These state that the manufactured product shall be of adequate strength to support a load of 250 pounds (113.4kg).

In order to comply with this standard, and withstand the shear, tension, pullout and torsion loads generated by the maximum must be used when installing the product and the wall itself has to be able to sustain such weight.

001	Base Model Number (must specify)	
<input type="checkbox"/>	GBK24	Ligature Resistant Grab Bar - Total Length 24"
<input type="checkbox"/>	GBK30	Ligature Resistant Grab Bar - Total Length 30"
<input type="checkbox"/>	GBK36	Ligature Resistant Grab Bar - Total Length 36"
<input type="checkbox"/>	GBK42	Ligature Resistant Grab Bar - Total Length 42"
<input type="checkbox"/>	GBK48	Ligature Resistant Grab Bar - Total Length 48"
002	Side of Closed end (must specify)	
<input type="checkbox"/>	-R	Right
<input type="checkbox"/>	-L	Left

Dimensions

Model	Total Length
GBK24-L or GBK24-R	24"
GBK30-L or GBK30-R	30"
GBK36-L or GBK36-R	36"
GBK42-L or GBK42-R	42"
GBK48-L or GBK48-R	48"



In the absence of a legal or industry definition of anti-ligature or ligature resistant products, when we use these terms, we are referring to products that are designed and manufactured with the intention of reducing the risk of ligature attachment to the product(s). PSD LLC will always endeavour to design and test our anti-ligature product(s) to reduce the risk of product ligature attachment that may result in serious injury or death. Whilst all reasonable measures are taken at the time of design, the anti-ligature design of the products are not intended to and will not:

- a. Replace protective measures that need to be taken in the specific circumstances of usage;
- b. Substitute the need for supervision of those who may be at risk;
- c. Protect and or prevent those at risk against any self-harm instances that may occur when installed; and
- d. Protect and or prevent injury when the risks were unknown to us at the time of the design of the product(s).

PSD LLC does not offer and do not represent or warrant that any product(s) for sale that are ligature-free. Therefore, PSD LLC will not be liable for any claims, loss, or damages arising from ligature attachment on our products. It is the purchaser's responsibility to ensure that products purchased and installed are suitable for the environments in which they are installed, and suitable supervision and protective measures are in place to protect those at risk. Whilst all reasonable care has been taken in compiling the information in this document, the designs, dimensions and products shown are indicative only and should not be relied upon without our prior approval. Due to our policy of continuous development, we reserve the right to alter any details of specifications or products without notice. All information, drawings, technical specifications and product designs remains the property of PSD LLC.