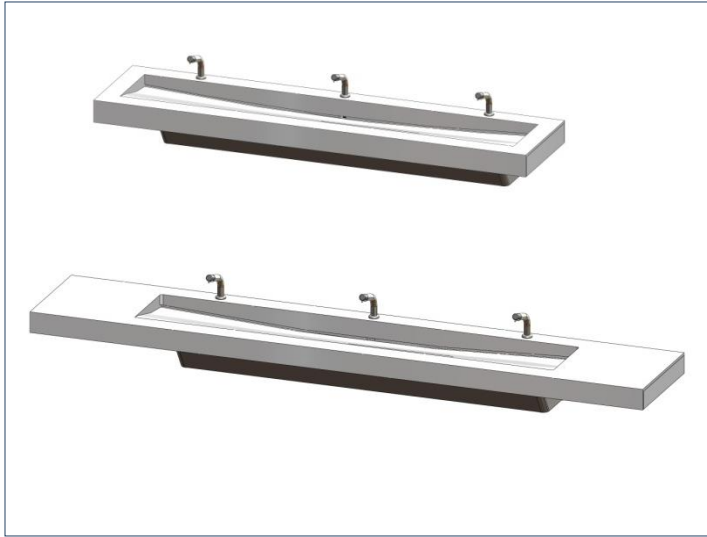


Installation



Installation Instructions for models:

SLV03-A

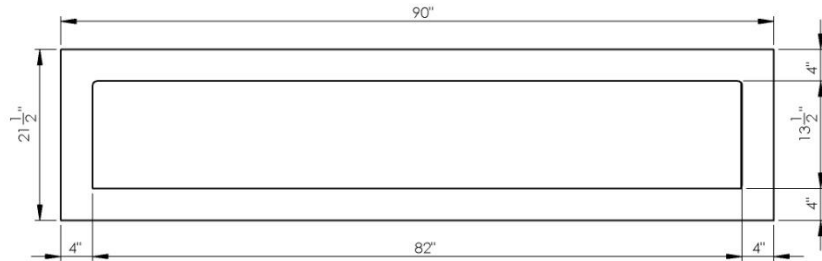
SLV03-B

IMPORTANT

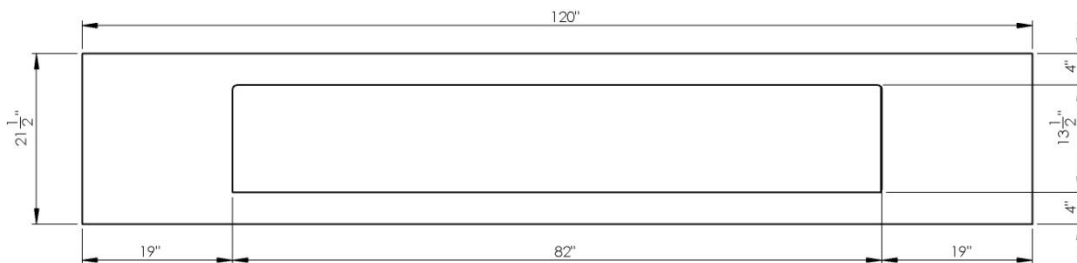
- Read instructions entirely prior to installation.
- Prior to hooking up the fixture to the water supply make sure that all the lines are flushed thoroughly.
- All wall anchors should have a pull out strength of 1000 lbs or more.
- Units should always be installed according to local plumbing and/or electrical codes.

Installation

Top View



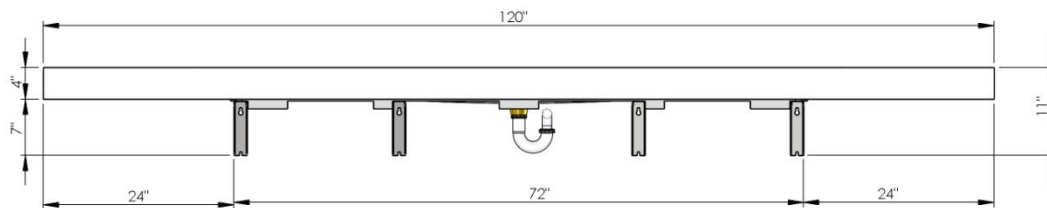
SLV03-A/B-L00R00



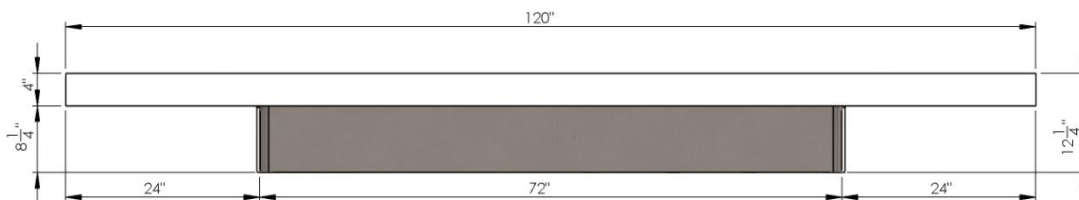
SLV03-A/B-L15R15

(L15: Left View is 15" – R15: Right View is 15")

Front View



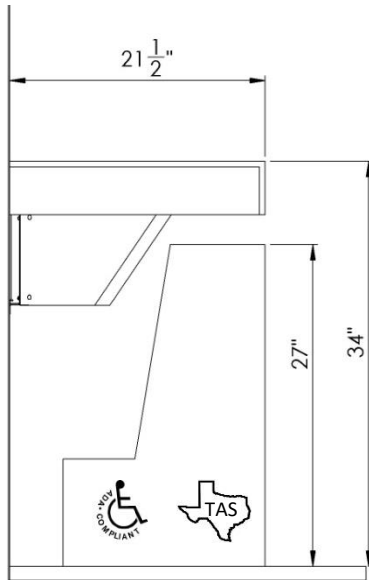
Model without skirt (-A)



Model with skirt (-B)

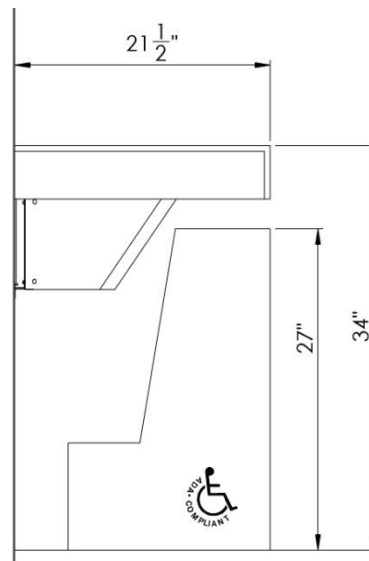
Installation

Side View – Mounted at Standard ADA Height



with skirt (-B option)

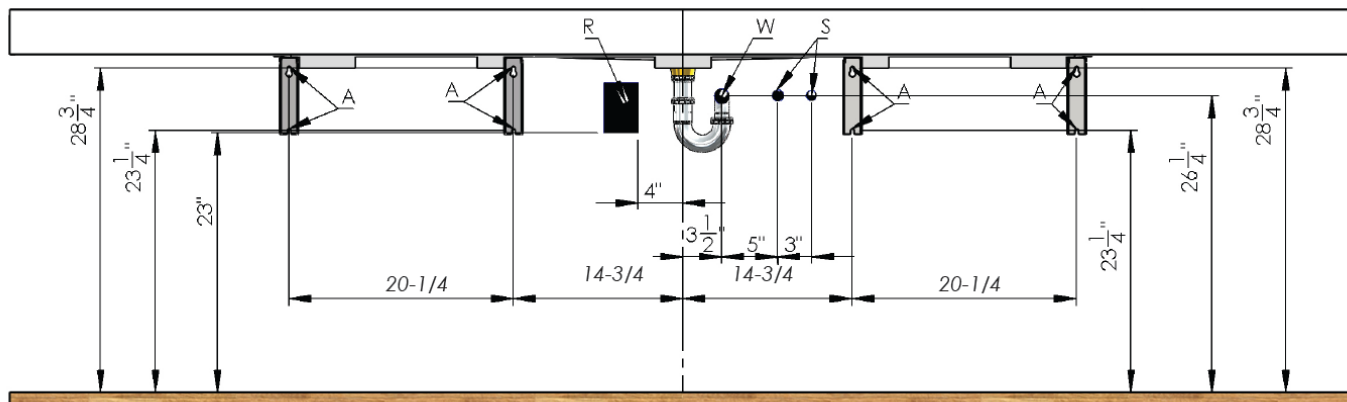
Juvenile Height Ages 6-12



with skirt (-B option)

Installation

Rough-in Dimensions SLV3-A (No skirt)



* All vertical measurements are measured from the FINISHED floor

Code	Description
A	1/4" Anchors for support brackets with a pull out strength of min. 1000 lbs./
W	1 1/2" NPT Drain, stub out 2"
S	1/2" copper tubing for hot& cold supplies, stub out 2" from wall
R	110V GFCI outlet

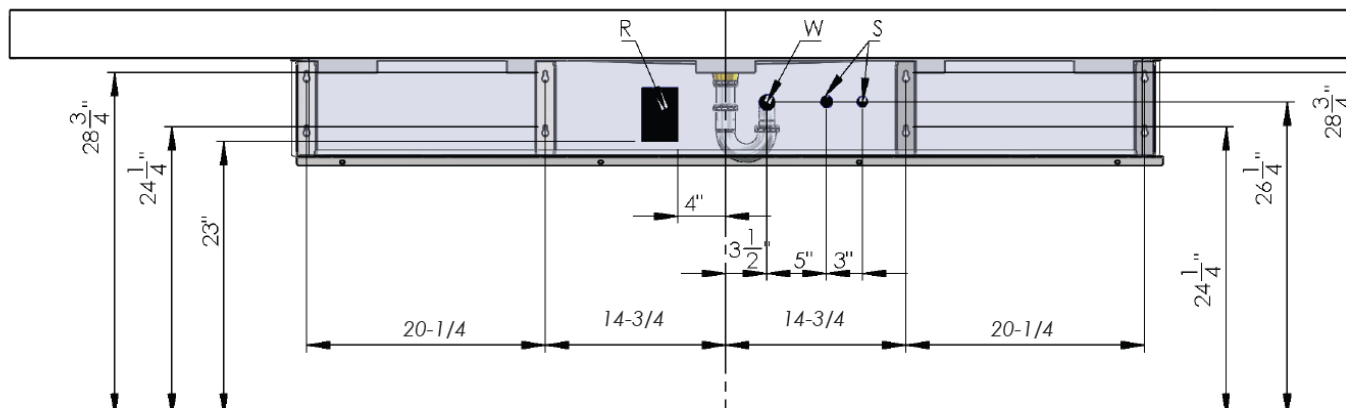
Height Adjustments

Standard	Rim Height Low Side	Adjustment of height for A, C, S, R & W
ADA & TAS Adult	34"	None
ADA Juvenile, Ages 6-12	31"	Subtract 3" to height in drawing
TAS, Grades 6 through 8 or 9*	32"	Subtract 4" to height in drawing
TAS, Pre-K through Grades 5 or 6*	30"	Subtract 2" from height in drawing

*: -TAS option only

Installation

Rough-in Dimensions SLV3-B (with Skirt option)



* All vertical measurements are measured from the FINISHED floor

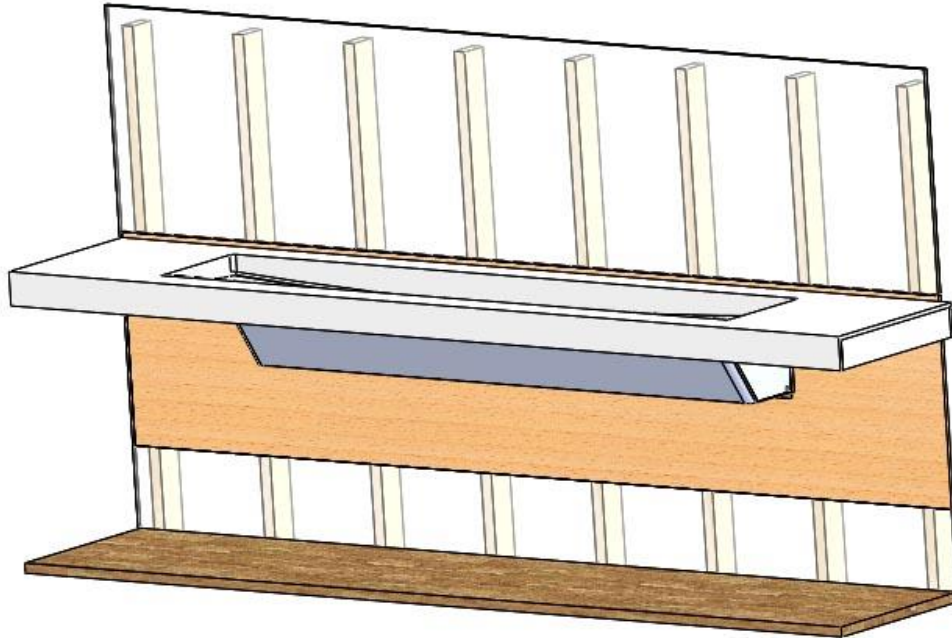
Code	Description
A	1/4" Anchors for support brackets with a pull out strength of min. 1000 lbs./
W	1 1/2" NPT Drain, stub out 2"
S	1/2" copper tubing for hot& cold supplies, stub out 2" from wall
R	110V GFCI outlet

Height Adjustments

Standard	Rim Height Low Side	Adjustment of height for A, C, S, R & W
ADA & TAS Adult	34"	None
ADA Juvenile, Ages 6-12	31"	Subtract 3" to height in drawing
TAS, Grades 6 through 8 or 9*	32"	Subtract 4" to height in drawing
TAS, Pre-K through Grades 5 or 6*	30"	Subtract 2" from height in drawing

*: -TAS option only

Installation

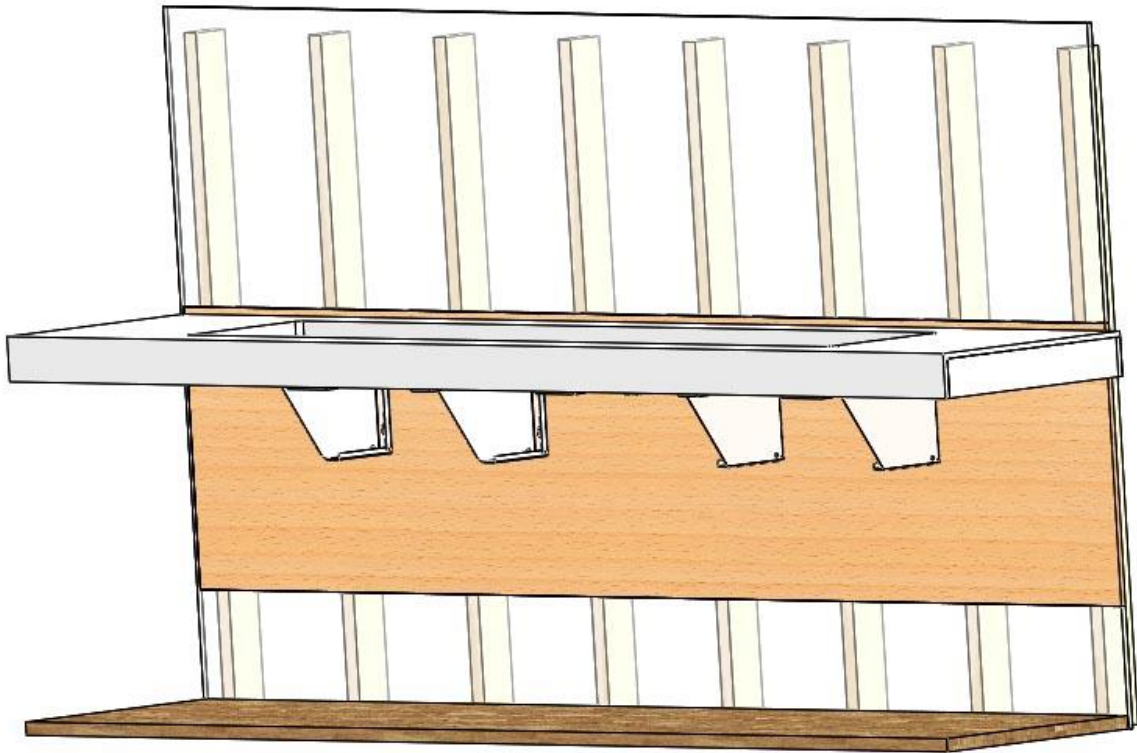


Step 1: Rough-in

- a. **When installing the fixture at non-standard height make sure to adjust the dimensions for height as shown on the table on page 4 or 5.**
- b. Rough in the ½" copper supply tubing through the wall at the locations marked with **S** on the rough-in drawing on page 4 or 5.
- c. Rough in the 1 ½" drain connection through the wall at the location marked with **W** on the drawing on page 4 or 5.
- d. When using faucets with plug-in transformer(s): rough in the GFCI electrical outlet at the location marked with **R** on the drawing on page 4 or 5.
- e. Install four 1/4" anchors on the locations marked with **A** on the drawing on page 4 or 5. The anchors should have a pull-out strength of 1000 lbs.

Installation

Step 2: Installing the support brackets and bowl

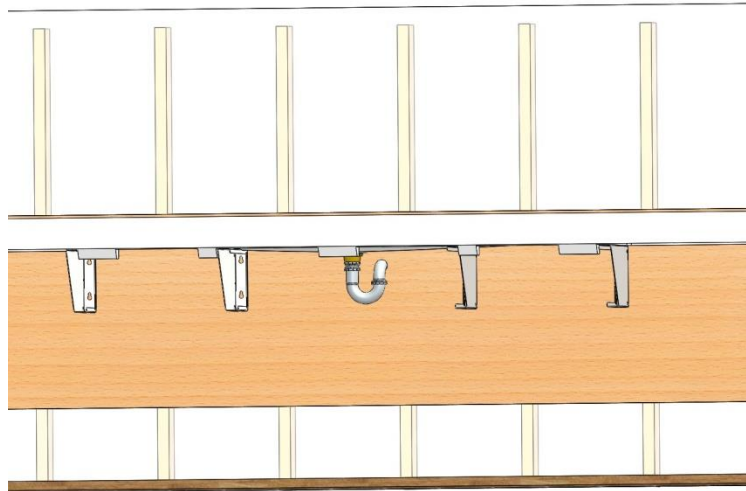


- a. Mount the fixture without skirt, bottom plate or p-trap to the wall according to the rough-in.

Installation

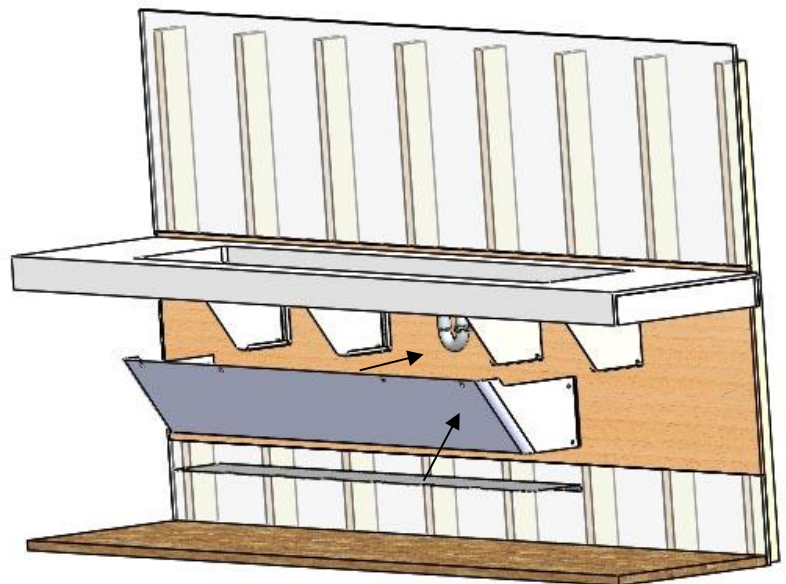
Step 3: Installing the P-trap

- a. Install the p-trap according to the picture below.



Step 4: Installing the skirt (B-models only)

- a. Attach the bottom plate to the stainless steel skirt with the hardware provided.
- b. Attach the skirt to the support brackets with the hardware provided.
- c. Attach the skirt to the front of the lavatory with the hardware provided



Maintenance

Solidsan® bowl

Solidsan® is a solid surface material made of acrylic modified polyester resins, aluminum trihydrate fillers and color granules. This synthetic compound material has an elegant granite-like appearance. Solidsan® is not only virtually indestructible and easy to maintain, but equally matches perfectly from an aesthetic viewpoint, this resulting in a remarkable design with soft, rounded shapes, ideal for the public washroom.

- Daily care: wipe the surface with soapy water or a damp cloth.
- Surface staining: clean the surface with soapy water or ammonia based cleansers.
- Stubborn stains and superficial scratches: clean the surface with an abrasive cleanser and a wet sponge. You can also use a green Scotch Brite® pad.
- Stubborn scratches: sand with 400 grit sandpaper and then clean with an abrasive cleanser and a green Scotch Brite® pad.
- AVOID contact with harsh chemicals such as drain cleansers and paint removers.
- AVOID contact with hot pots or heat producing appliances.

Stainless steel panels

Things to Avoid

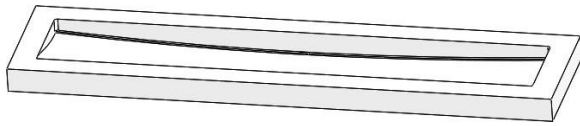
- Avoid scouring a Stainless steel surface across the satin finish lines. Scouring across the satin finish lines can damage the original Stainless steel grain finish. Never use an abrasive scouring pad.
- Don't allow liquid soap or other household cleansers to dry on the Stainless steel surface. Most brands contain chemical additives, which will affect the finish.
- Never leave solutions of chlorine bleach and water on your Stainless steel surface for extended periods of time. Chlorides, which are found in most soaps, detergents, bleaches, and cleansers, are very aggressive to stainless steel. If left on too long they can cause surface pitting.
- Don't use a steel wool pad to clean your Stainless steel. Steel wool pads have a tendency to break apart and small particles of steel can become embedded in the surface of the sink. The steel particles will rust and will give the appearance that the Stainless steel itself is rusting.
- Never leave wet sponges, cloths, or cleaning pads on the Stainless steel surface. This can lead to surface rust.

Things to Do

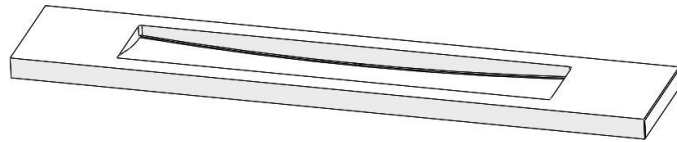
- Rinse or clean surface after use. Clean with warm, soapy water.
- Avoid caustic chemicals. Avoid exposing your appliance to strong chemicals, such as paint removers, oven cleaners, etc. If contact occurs, quickly flush the surface with water.
- Follow the grain. When cleaning the Stainless steel surface of your sink, be sure to rub in the direction of the grain finish lines.

Installation

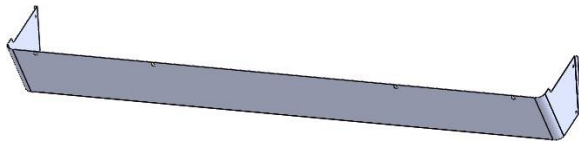
Parts Breakdown



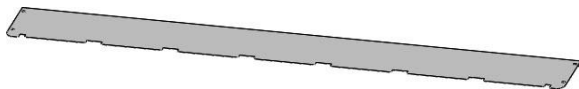
SLV3BOWLL00R00 + color



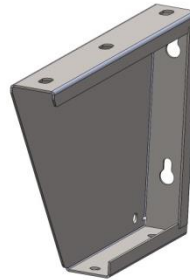
SLV3BOWLL15R15 + color



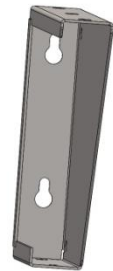
P453580 - Skirt for 3-user
Streamlav View



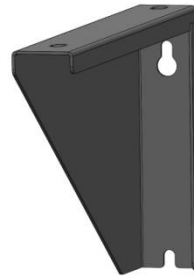
P453590 – Bottom Plate for 3-user
Streamlav View



P453000 - Left bracket for
unit with skirt



P453010 - Right bracket
for unit with skirt



P452500 - Left bracket for
unit without skirt



P452520 - Right bracket
for unit without skirt



P2770 - Spud