



Anti-Ligature Faucet

ADM21

Behavioral Sensor Faucet

Dimensions	Water Use	Technical	Barrier Free
Height: 5" Nozzle Height: 4-1/8"	0.5 gpm	Supplies: 1/2" IPS Inlet Pressure: 8-116 psi Detection Range: 2"-10" Power: 110V Plug in Transformer 4 x 1.5V AA Batteries	ADA TAS Alberta Building Code Ontario Barrier Free BC Building Code Code Construction Québec

Features

The ADM21 is a sensor operated faucet. The faucet body is made from chrome plated lead free brass.

The sensor responds to objects approaching the sensor. The response time is 0.5 seconds and stops within 2.5 seconds after the object leaves the sensor range.

The waterflow will automatically stop after one minute. In this case there will be a time-out of 10 seconds.

The waterflow will stop if the power is interrupted or out. This to minimize the waste of water.

If powered by 4 x AA batteries, the battery life will be around 2 years at 300 cycles a day.

Technical Specifications

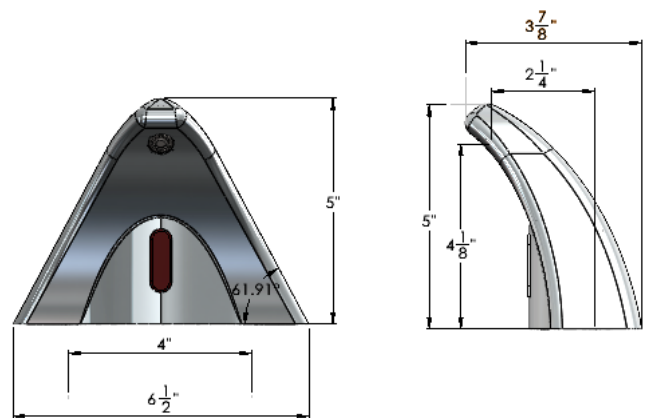
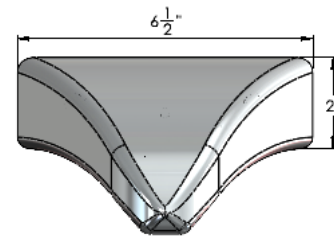
- Power supply:
 - AC: 110V Plug-in transformer
 - Backup DC: 4 x AA batteries
- Battery Life: 35,000 to 40,000 hand wash cycles (water & soap)
- Sensor range: 2-10"
- Maximum water flow duration per cycle: 60 seconds
- Recommended soap viscosity: 100-3,500 cps
- Water Pressure: 8-116 psi
- Water flow (at 43 psi): 0.5 gpm

In the Box:

- Sensor Faucet
- Control Box with Plug-in transformer
- Installation Instructions

Warranty

1 year limited warranty.



001	Base Model Number (must specify)	
<input type="checkbox"/>	ADM21	Anti-Ligature Sensor Faucets
002	Supply (must specify)	
<input type="checkbox"/>	-1	Tempered or Cold Water
<input type="checkbox"/>	-2	Thermostatic Mixing Valve

