



Flush Valve

CFKIT-01

Concealed Pneumatic Flush Valve

Technical	Barrier Free
1.6 gpf for 1" to 12" wall thickness 1" IPS Supply	ADA TAS Alberta Building Code Ontario Barrier Free BC Building Code Code Construction Québec

Description

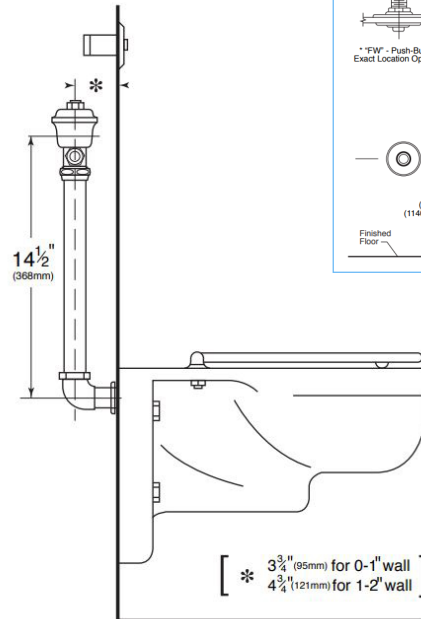
Concealed rough brass flush valve hydraulically activated for 1.5" back entry wall hung or floor mounts water closets.

Flush Cycle

1.6 gpf / 6 Lpf Low Consumption

Specification

- Regulating screw for "True-in-the-Field" water conservation.
- 1" wheel handled operated angle stop with back-check.
- Renewable main valve seat.
- ADA compliant hydro-flush actuator with pushbutton through the wall assembly. (or replaced by fixture manufacturer)
- 1.5" x 14.5" vacuum breaker with elbow flush connection
- for 1.5" back entry.
- SlipFit adjustable tailpiece.
- Sweat adapter kit.
- All rubber parts molded of chloramine resistant rubber.
- All exposed parts chrome plated.



* $3\frac{3}{4}$ " (95mm) for 0-1" wall
 $4\frac{3}{4}$ " (121mm) for 1-2" wall

001	Base Model Number (must specify)	
<input type="checkbox"/>	CFKIT01	Pneumatic Flush Valve
002	Wall Thickness (must specify)	
<input type="checkbox"/>	-6	6" or less wall
<input type="checkbox"/>	-8	6" - 8" wall
<input type="checkbox"/>	-12	8" - 12" wall
003	Options	
<input type="checkbox"/>	-AP	Stainless Steel Access Panel



WARNING: Cancer and Reproductive Harm
www.P65Warnings.ca.gov