



HD15 Hand Dryer

U700200

Sensor Wall Mounted Hand Dryer

Dimensions	SDrying Time	Technical	Barrier Free
Height: 8-5/8" Diameter: 1-1/2"	11 seconds	Power: 110V-120V AC (hard wire) Standby Power: 0.3-0.4W Sound Level: 58.8 db to 62.9 db	ADA TAS Alberta Building Code Ontario Barrier Free BC Building Code Code Construction Québec

Features

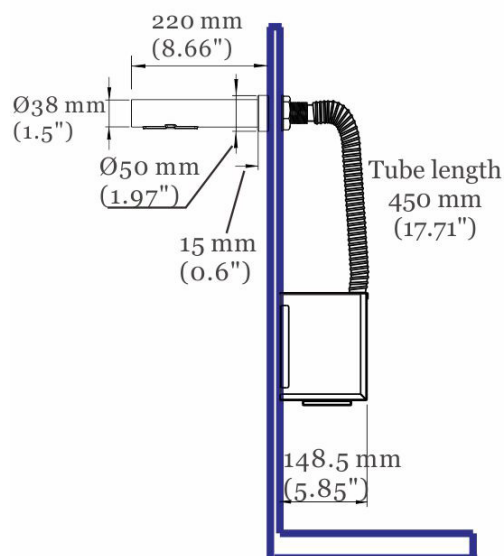
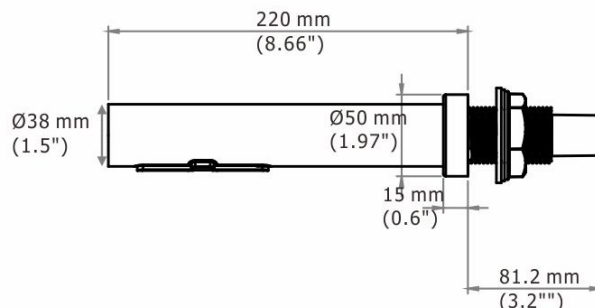
HD15 hand dryer is a wall mounted high speed tap hand dryer. It is most suitable for new construction project of public restroom that has a maintenance room behind the wall. The hand dryer is behind the wall with only the spout affixed to the wall, which creates a new clutter-free washroom experience. Users can dry their hands right after they wash them. The HD15 hand dryer also simplifies the cleaning process because all water goes into the basin.

EcoTap is also a quiet high speed hand dryer. The new patented air outlet reduced the noise level and increase the drying efficiency. EcoTap hand dryer is ideal for construction projects and automatic wash station.

The intelligent temperature control technology of the HD15 detects the room temperature, and adjust the heating element. Furthermore, the hand dryer automatically detects and uses the residual heat from the heater to reduce power consumption. The benefit is particularly apparent in high traffic locations.

Technical Specifications

- Drying Time: 11 seconds (According to UL hand dryer PCR)
- Operating Voltage: 110V-120Vac, 50/60 Hz, 0.84-1.0kW
- Standby Power: 0.3-0.4W
- Timing Protection: 60 seconds auto shut off
- Sound Level: MIN 58.8 dB to 62.9 dB MAX @ 1m
- Sensing range: 130 mm ± 20 mm, adjustable
- Drip Proof: IP35
- UL, CE, GS, CB, BSMI, EMC, LVD, WEEE, ROHS certified
- Patented: Taiwan, China, United States, EU



Base Model Number (must specify)

- U700200 Wall Mounted Sensor Hand Dryer

