



SANISPRAY INDIVIDUAL HAND

IH3

Corner Washfountain

Footprint	Water Use	Certifications	Technical	Barrier Free
IH3: 38 ^{3/8} " x 38 ^{3/8} "	3-user: 3 x 0.5 gpm	 ASME A112.18.1-12 CSA B125.1-12 ASME A112.18.2-2011 CSA B125.2-11 ASME A112.19.3-2008 CSA B45.4-08	Drain: 2" Supplies: ½" Inlet Pressure: 17-100 psi Vent Size: 1 1/2"	ADA TAS Alberta Building Code Wall-Hung: BC Building Code Code Construction Québec

Material & Construction

The 54" corner **stainless steel bowl** can serve 3 users at a time. The bowl is made of 16 gauge type 304 stainless steel and has a parabolic shape for added strength. The parabolic shape keeps the water spray inside the bowl and makes the bowl self-cleaning and self-draining.

The bowl is available made of 16 gauge type 304 stainless steel or it can be supplied in **solid surface**. Solid surface is a composite material of acrylic polyester polymer resins and aluminum trihydrate fillers.

The **pedestal** is constructed of cold laminated 12 gauge steel, treated against corrosion by zinc phosphate and powder coating. The scuff base is made of stainless steel. The pedestal has a vandal resistant steel access panel at the front of the pedestal. Three rubber joints are fitted between floor, scuff base, pedestal and bowl. Anchoring bolts made of zinc coated steel are provided.

The 11 gauge **stainless steel riser column** serves the purpose of both a housing for the supply pipes and the vent pipe, and a support for the water distribution head. The pre-installed vent pipe is also the central tie part for the rigid assembly of the washfountain, making wall braces unnecessary. The dome grated column base provides a central 360° drain and has an internal easy to clean grid.

Spray nozzles are vandal resistant and have built-in automatic flow control limiting the water flow to 0.5 gpm. (Optional: 0.35 gpm nozzles).

The **internal plumbing system** includes a braided stainless steel supply line to the spraying and a thermostatic mixing valve (if chosen) with 2 check valves and 2 strainers. The mixing valve is preset at 104° F (±4°F). The thermostat requires the hot water to be between 130° F and 167°F with a pressure of min. 17 psi at the inlet. The thermostatic mixing valve shuts off when hot or cold water fails.

Soap Options

The unit can be supplied with a hands-free soap option. This option provides soap with each activation of the water cycle. As an alternate the fixture can be supplied with a stainless steel mounting bracket for soap dispensers supplied by others (-B) or with manual liquid soap (-LM).

Hand Activation

The hand activation mechanism consists of a set of 3 large chromed brass pushbuttons that activate an equal number of direct activated metering valves (adjustable water cycle: 5 to 120 seconds).

Application



The Sanispray washfountain is intended for handwashing only. It is not to be used to dispense water for human consumption either by drinking or use in the preparation of food or beverages.

LEED Compliance

The Sanispray contributes to meeting LEED requirements in the following categories: WEP1 - Water Efficiency
WEC3 - Water Use Reduction

Each nozzle has a flow rate of 0.5 gpm.

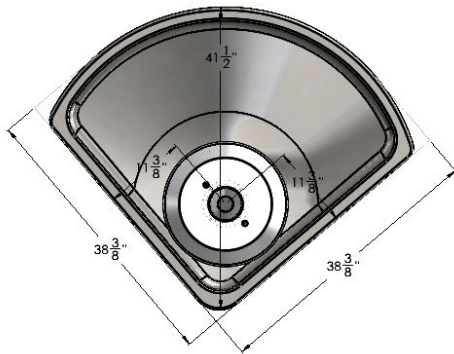
Warranty

5 years limited warranty on material and 3 years limited warranty on components.

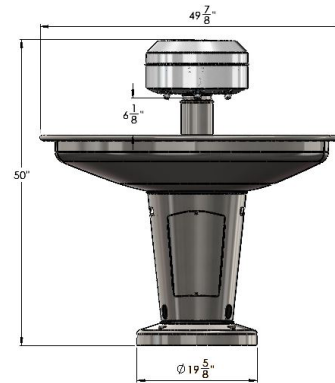


WARNING: Cancer and Reproductive Harm
www.P65Warnings.ca.gov

Top View IH3

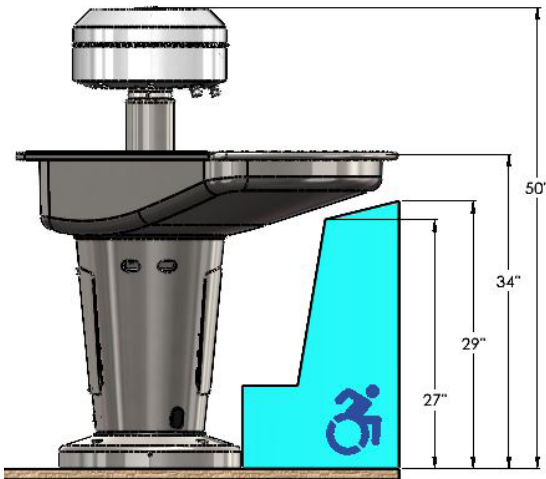


Front View IH3



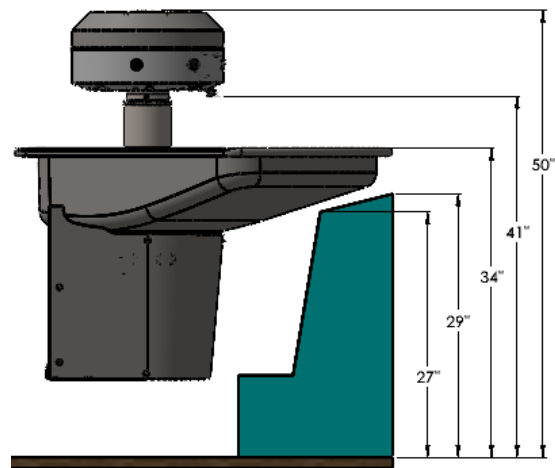
Side View IH3

Standard Height Pedestal



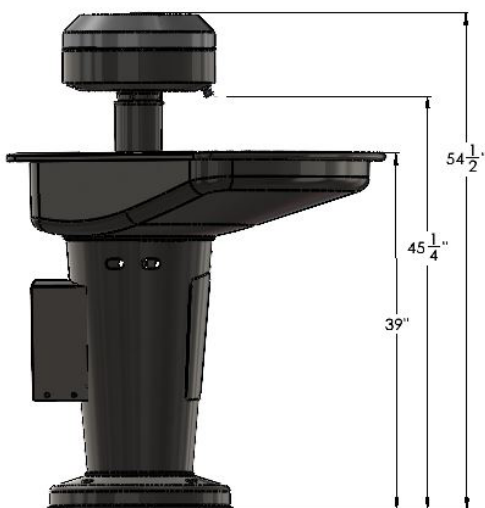
Side View IH3

Wall Hung Pedestal



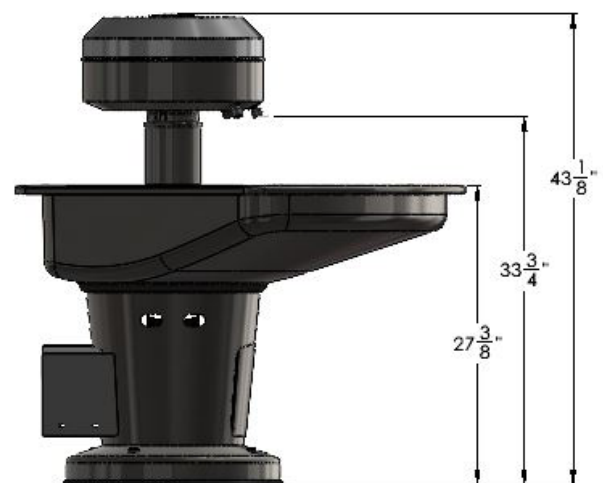
Side View IH3

Extra Height Pedestal

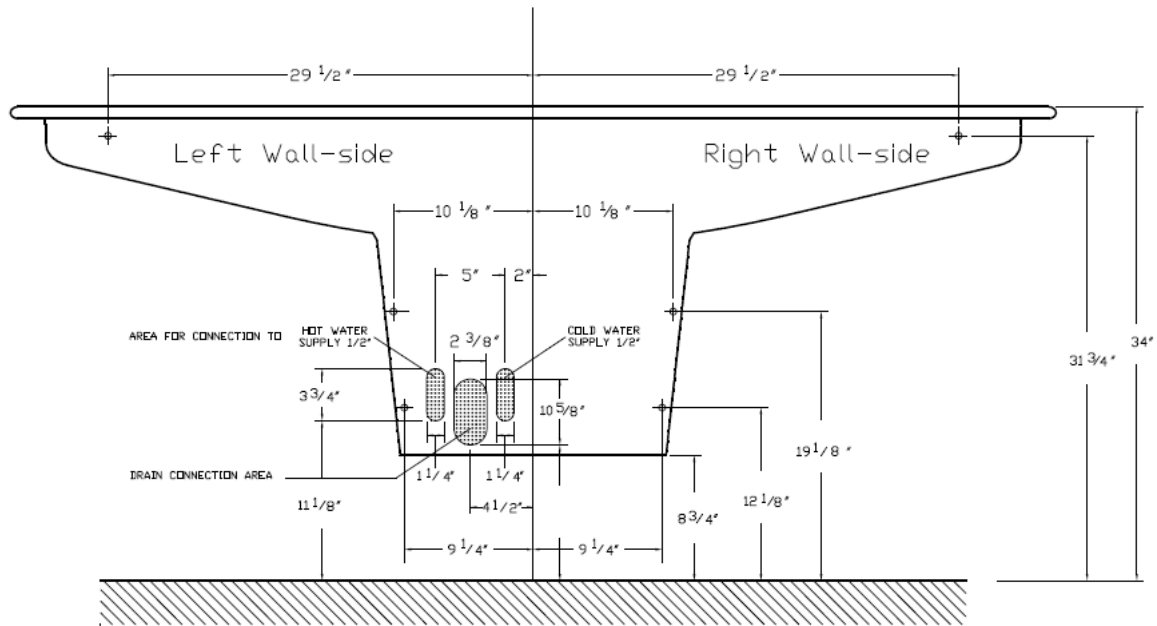


Side View IH3

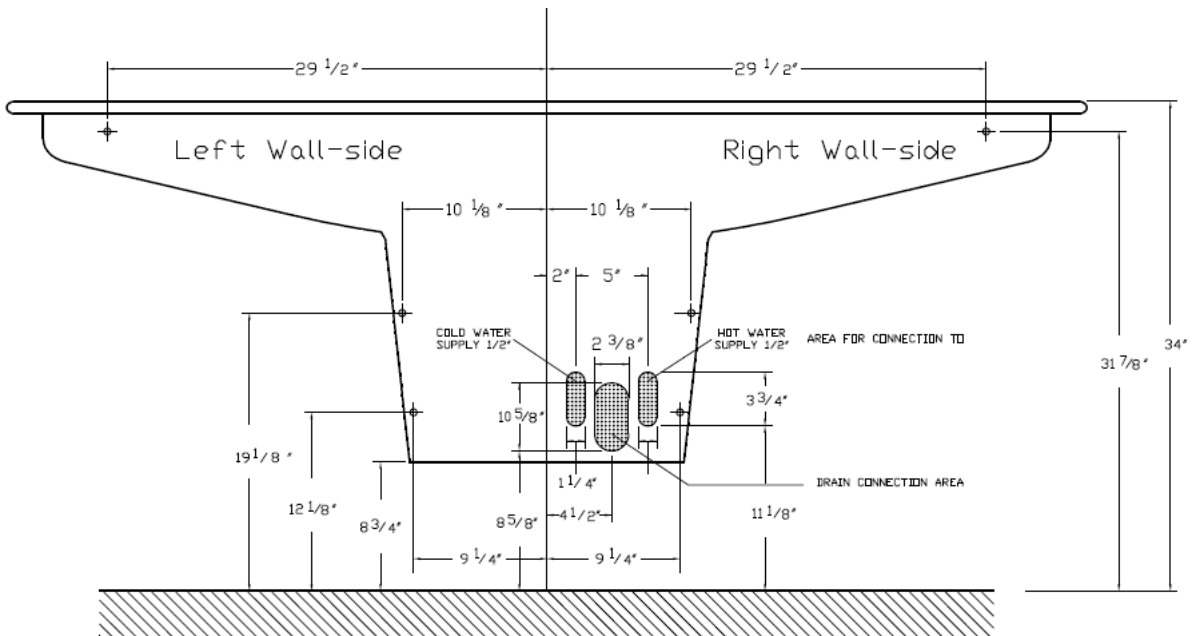
Junior Height Pedestal



Rough-In Dimensions



Supplies and Drain on Left Side



Supplies and Drain on Right Side

Minimum distance between two washfountains: 48"

Supplies:

- For supplies from water mains to each SANISPRAY, use 1/2" copper pipe.
- When AquaDesign's flexible lines are supplied, they will extend all the way through the column up to the top of the unit (when used as supplies from above).
- Connections are 1/2"F or 1/2" solder.

Trap/Drain/Vent:

- Connection straight drain: 2" no-hub.
- Height from floor of the drain to the drain outlet of the trap: see appropriate drawing.
- Connection of vent: 1 1/2" no-hub.

Functional Requirements:

1. For the proper functioning of the control valve(s):
 - The hot and cold supply line should be dimensioned according to the total potential water consumption of the washroom.
 - Assure at all times the availability of minimum 17psi (max. 100 psi) at the inlet of the valve when the washfountain is working.
2. For the proper functioning of the thermostatic mixing valve:
 - Hot and cold water supply line pressures should be equally balanced.
 - Hot water at temperatures between 130°F and 167°F should be available at the inlet of the thermostat.
 - The thermostat is preset at 104°F (precision +/- 4°F).
 - Anti-scald characteristics: the valve throttles down the flow to a minimum, when cold water fails.

When using a plug-in transformer



- Electric receptacle **MUST** be wired to a GFCI protected circuit
- Fixture must be earth grounded
- Consult local electrical code

001 Base Model Number (must specify)		
<input type="checkbox"/>	IH354	3-User Individual Hand - 54" Corner Bowl
002 Supply (must specify)		
<input type="checkbox"/>	-1	Tempered or Cold Water
<input type="checkbox"/>	-2	Thermostatic Mixing Valve
003 Soap (must specify)		
<input type="checkbox"/>	-N	No Soap
<input type="checkbox"/>	-P	Powdered Soap
<input type="checkbox"/>	-L	Liquid Soap
<input type="checkbox"/>	-B	Soap Bracket for Soap By Others
004 Pedestal Options (must specify)		
<input type="checkbox"/>	-BP	Black Powder Coated Pedestal
<input type="checkbox"/>	-SP	Stainless Steel Pedestal
<input type="checkbox"/>	-JH	Junior Height Pedestal
<input type="checkbox"/>	-JS	Junior Height Stainless Pedestal
<input type="checkbox"/>	-EH	Extra Height Pedestal
<input type="checkbox"/>	-ES	Extra Height Stainless Pedestal
<input type="checkbox"/>	-WH	Stainless Wall-Hung Pedestal
005 Bowl (must specify)		
<u>Stainless Steel</u>		
<input type="checkbox"/>	-SB	Stainless Steel Bowl
<u>Solid Surface</u>		
<input type="checkbox"/>	-AB	Adobe Brown
<input type="checkbox"/>	-AW	Ash White
<input type="checkbox"/>	-BF	Black Forrest
<input type="checkbox"/>	-CO	Concrete Grey
<input type="checkbox"/>	-ES	Egyptian Sand
<input type="checkbox"/>	-MB	Midnight Blue
<input type="checkbox"/>	-MG	Misty Grey
<input type="checkbox"/>	-PB	Pearl Black
<input type="checkbox"/>	-PW	Polar White
<input type="checkbox"/>	-SA	Sandstone
<input type="checkbox"/>	-TG	Twilight Grey
006 Quick Connect Options		
<input type="checkbox"/>	-(1)P3020	Stainless Flexible Supply for Tempered Water
<input type="checkbox"/>	-(2)P3020	Stainless Flexible Supplies for Mixing Valve
007 Other Options		
<input type="checkbox"/>	-S	Stainless Shroud (39 ^{3/8"})
<input type="checkbox"/>	-TDH	Towel Dispenser (2 pieces)
<input type="checkbox"/>	-HBL	Hose Bib Left Side
<input type="checkbox"/>	-HBR	Hose Bib Right Side
<input type="checkbox"/>	-0.35	0.35 gpm nozzles
008 Anti-Microbial Solid Surface		
<input type="checkbox"/>	-AMSS	Anti-Microbial agent in sink bowl

Approved by:

Name: _____

Title: _____

Signature: _____

Date: _____

All information including dimensions, changes in design and material are subject to manufacturer's change without formal notice and without obligation. AquaDesign assumes no responsibility for use of superseded or voided information. Verify all rough-in information before installation. It is the responsibility of the installer to conform with local and national codes.