



# Anti-Ligature Sink

LRS01

## Stainless Steel Behavioral Sink

Dimensions	Material	Technical	Barrier Free
Height: 21" Width: 19" Depth: 18-1/8"	14 gauge / 11 gauge 304 Stainless Steel	Bowl Depth: 6-1/4" Faucet: punched for 4" centerset	ADA TAS Alberta Building Code Ontario Barrier Free

### Material and Construction

The LRS21 is made from AISI304, 14 gauge stainless steel. The mounting brackets are 11 gauge stainless steel.

The LRS21 is available in a brushed stainless or white powder coated finish

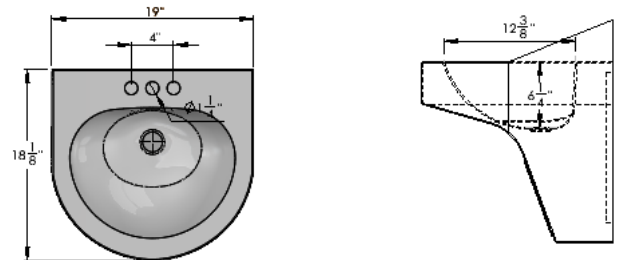
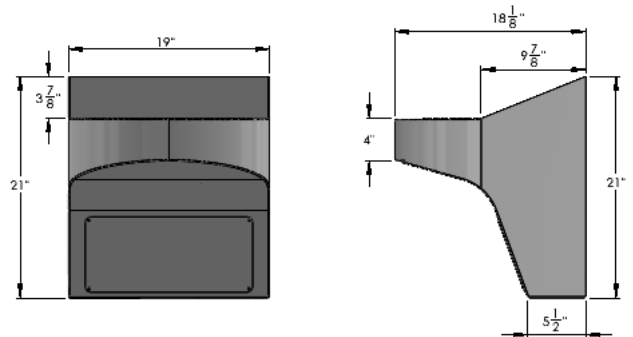
The bowl of the sink is 6-1/4" (160mm) deep and is supplied with a strainer and tailpiece.

The front of the sink has an access panel that allows for easy servicing and installation. The access panel is attached to the sink with 6 vandal resistant torx screws.

The LRS21 comes standard with faucet holes for 4" center set faucets.

### Activation & water distribution

The LRS21 can be supplied with AquaDesign's ADM21 anti-ligature sensor faucet.

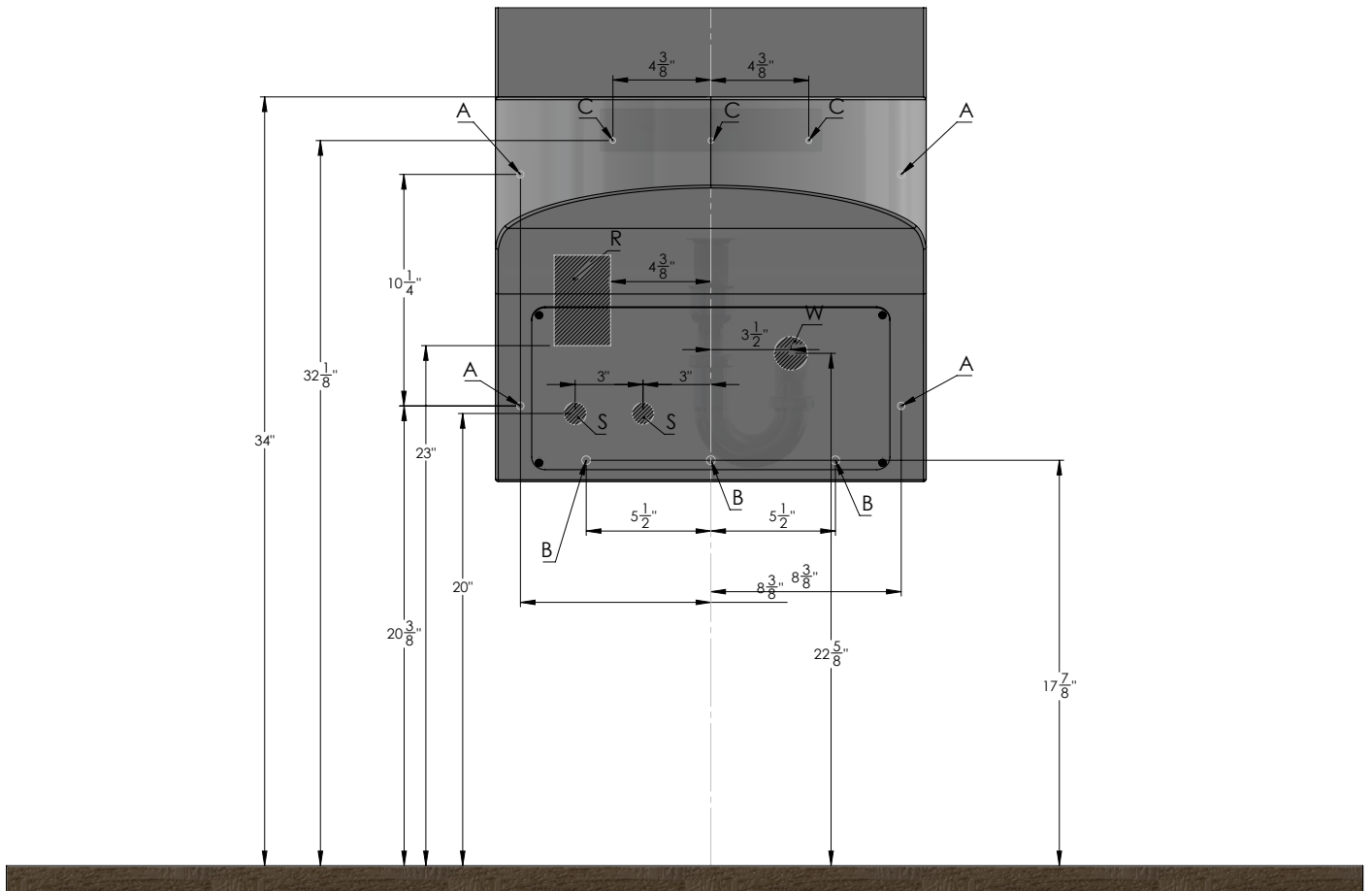


001	<b>Base Model Number</b> (must specify)	
<input type="checkbox"/>	LRS21	Anti-Ligature Lavatory
002	<b>Faucets</b>	
<input type="checkbox"/>	-DEK	No Faucet
<input type="checkbox"/>	-ADM21	Anti-Ligature Sensor Faucet
003	<b>Finish</b>	
<input type="checkbox"/>	-	Brushed Stainless Steel
<input type="checkbox"/>	-PW	Polar White Powder Coat
004	<b>Other Options</b>	
<input type="checkbox"/>	-TEM	Tempered Water
<input type="checkbox"/>	-TMV	Thermostatic Mixing Valve



**WARNING:** Cancer and Reproductive Harm  
[www.P65Warnings.ca.gov](http://www.P65Warnings.ca.gov)

Rough-In



- A 5/16" Anchor
- B 3/8" Anchor
- C 1/4" Anchor
- R Electrical Receptacle 110V GFCI
- W Drain
- S Hot and Cold Supply

In the absence of a legal or industry definition of anti-ligature or ligature resistant products, when we use these terms, we are referring to products that are designed and manufactured with the intention of reducing the risk of ligature attachment to the product(s). AquaDesign Mfg. will always endeavour to design and test our anti-ligature product(s) to reduce the risk of product ligature attachment that may result in serious injury or death. Whilst all reasonable measures are taken at the time of design, the anti-ligature design of the products are not intended to and will not:

- a. Replace protective measures that need to be taken in the specific circumstances of usage;
- b. Substitute the need for supervision of those who may be at risk;
- c. Protect and or prevent those at risk against any self-harm instances that may occur when installed; and
- d. Protect and or prevent injury when the risks where unknown to us at the time of the design of the product(s).

AquaDesign Manufacturing does not offer and do not represent or warrant that any product(s) for sale that are ligature-free. Therefore, AquaDesign Manufacturing will not be liable for any claims, loss, or damages arising from ligature attachment on our products. It is the purchaser's responsibility to ensure that products purchased and installed are suitable for the environments in which they are installed, and suitable supervision and protective measures are in place to protect those at risk.

Whilst all reasonable care has been taken in compiling the information in this document, the designs, dimensions and products shown are indicative only and should not be relied upon without our prior approval. Due to our policy of continuous development, we reserve the right to alter any details of specifications or products without notice. All information, drawings, technical specifications and product designs remains the property of AquaDesign Mfg.