



Behavioral Basin

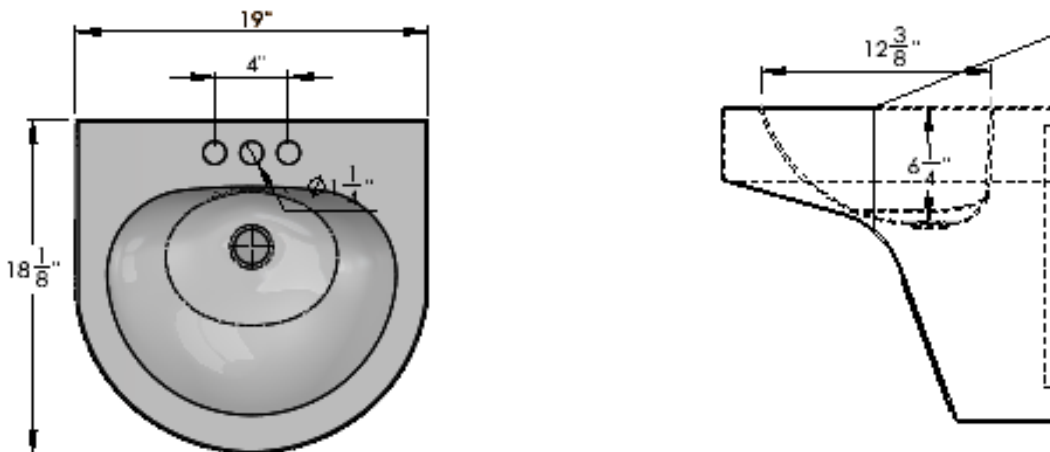
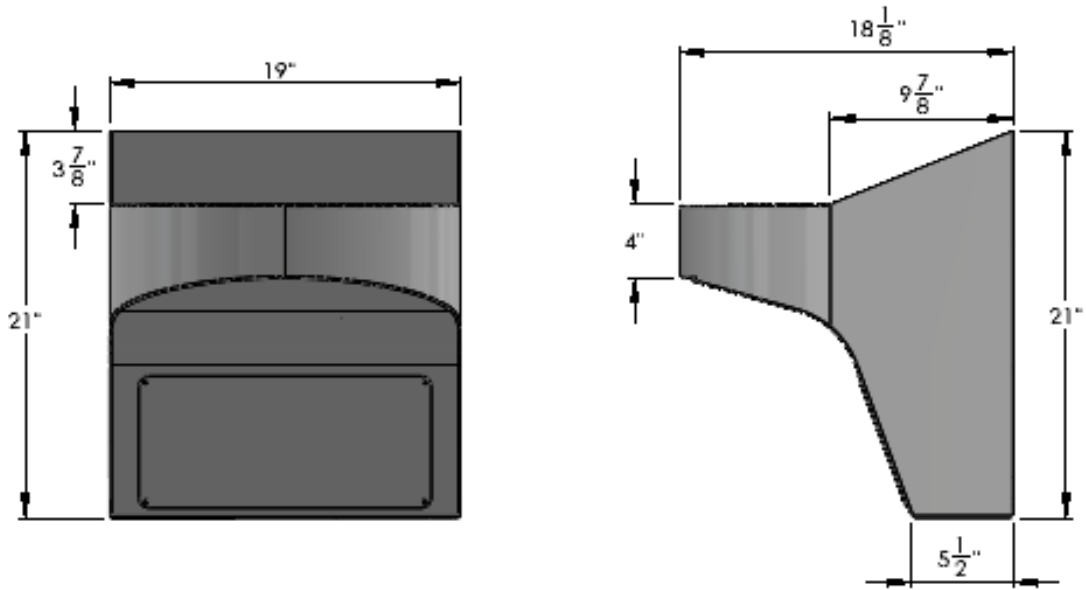
LRS21

Installation

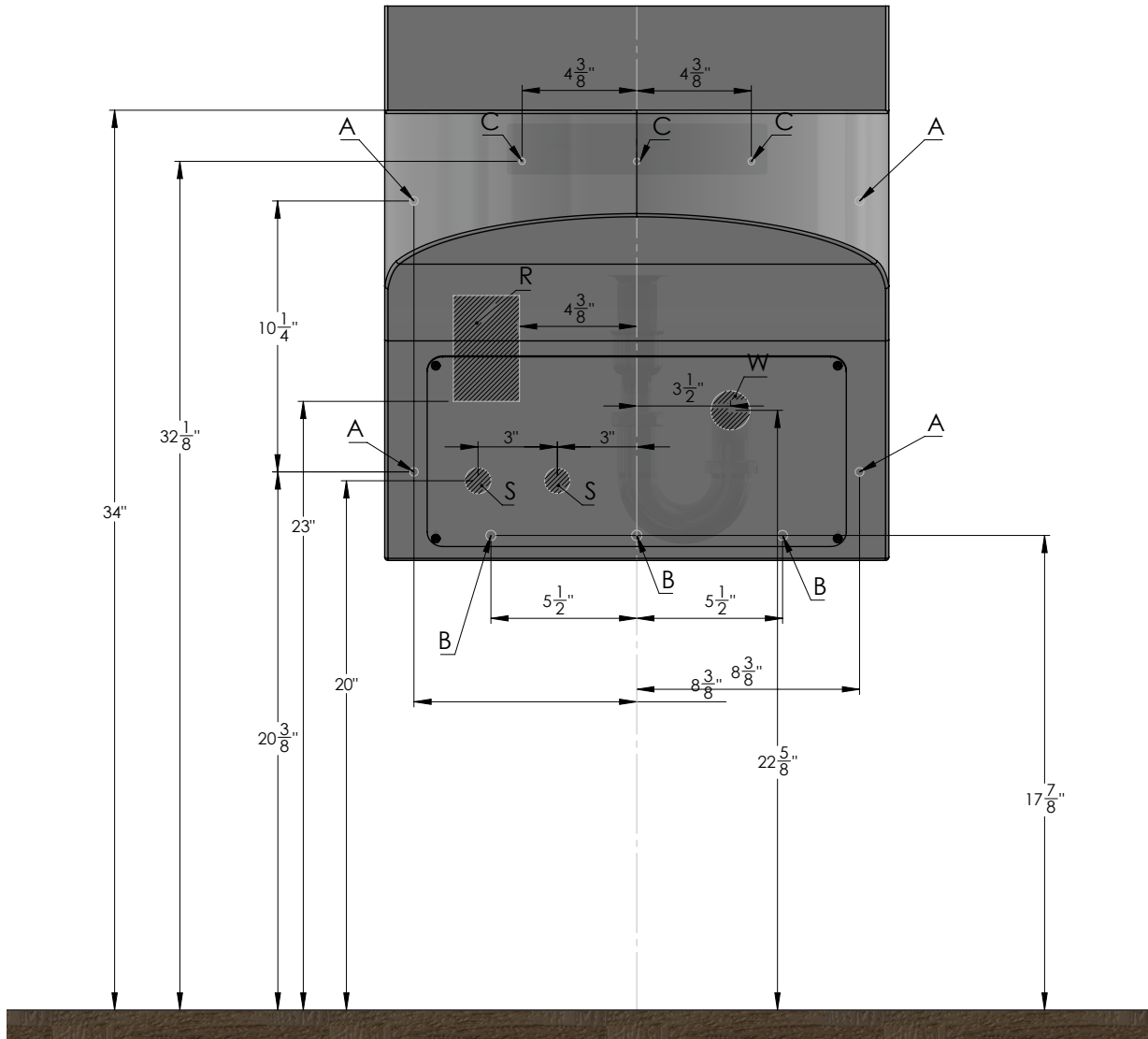
IMPORTANT

- Read complete manual prior to use.
- Prior to hooking up the fixture to the water supply make sure that all the lines are flushed thoroughly.
- All wall anchors should have a pull out strength of 1000 lbs or more.
- Units should always be installed according to local plumbing and/or electrical codes.

DIMENSIONS



ROUGH-IN



Code	Description
A	1/2" Anchors
B	1/2" Anchors
C	1/8" Anchors
W	1-1/2" NPT Drain
S	1/2" Hot Water Supply
S	1/2" Cold Water Supply
R	120V Receptacle

Notes:

1. Electrical receptacle must be wired to a GFCI protected circuit. Fixture must be earth grounded.
2. Consult local electrical code for need and use of extra electrical conduit box.
3. All height measurements are measured from the FINISHED floor.

INSTALLING THE BASIN

