



# Anti-Ligature Sink

LRS01

## Stainless Steel Behavioral Sink

Dimensions	Material	Technical	Barrier Free
Height: 21" Width: 19" Depth: 18-1/8"	14 gauge / 11 gauge 304 Stainless Steel	Bowl Depth: 6-1/4" Faucet: punched for 4" centerset	ADA TAS Alberta Building Code Ontario Barrier Free

### Material and Construction

The LRS01 is made from AISI304, 14 gauge stainless steel. The mounting brackets are 11 gauge stainless steel.

The LRS01 is available in a brushed stainless or white powder coated finish

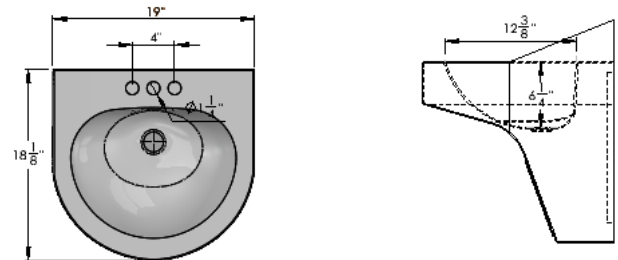
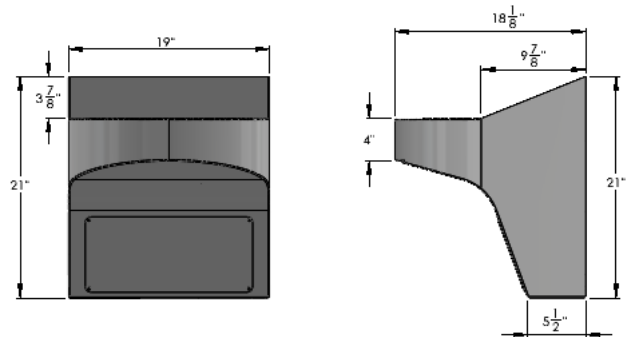
The bowl of the sink is 6-1/4" (160mm) deep and is supplied with a strainer and tailpiece.

The front of the sink has an access panel that allows for easy servicing and installation. The access panel is attached to the sink with 6 vandal resistant torx screws.

The LRS01 comes standard with faucet holes for 4" center set faucets.

### Activation & water distribution

The LRS01 can be supplied with AquaDesign's ADM21 anti-ligature sensor faucet.



001	<b>Base Model Number</b> (must specify)	
<input type="checkbox"/>	LRS01	Anti-Ligature Lavatory
002	<b>Faucets</b>	
<input type="checkbox"/>	-DEK	No Faucet
<input type="checkbox"/>	-ADM21	Anti-Ligature Sensor Faucet
003	<b>Finish</b>	
<input type="checkbox"/>	-	Brushed Stainless Steel
<input type="checkbox"/>	-PW	Polar White Powder Coat
004	<b>Other Options</b>	
<input type="checkbox"/>	-TEM	Tempered Water
<input type="checkbox"/>	-TMV	Thermostatic Mixing Valve



**WARNING:** Cancer and Reproductive Harm  
[www.P65Warnings.ca.gov](http://www.P65Warnings.ca.gov)