



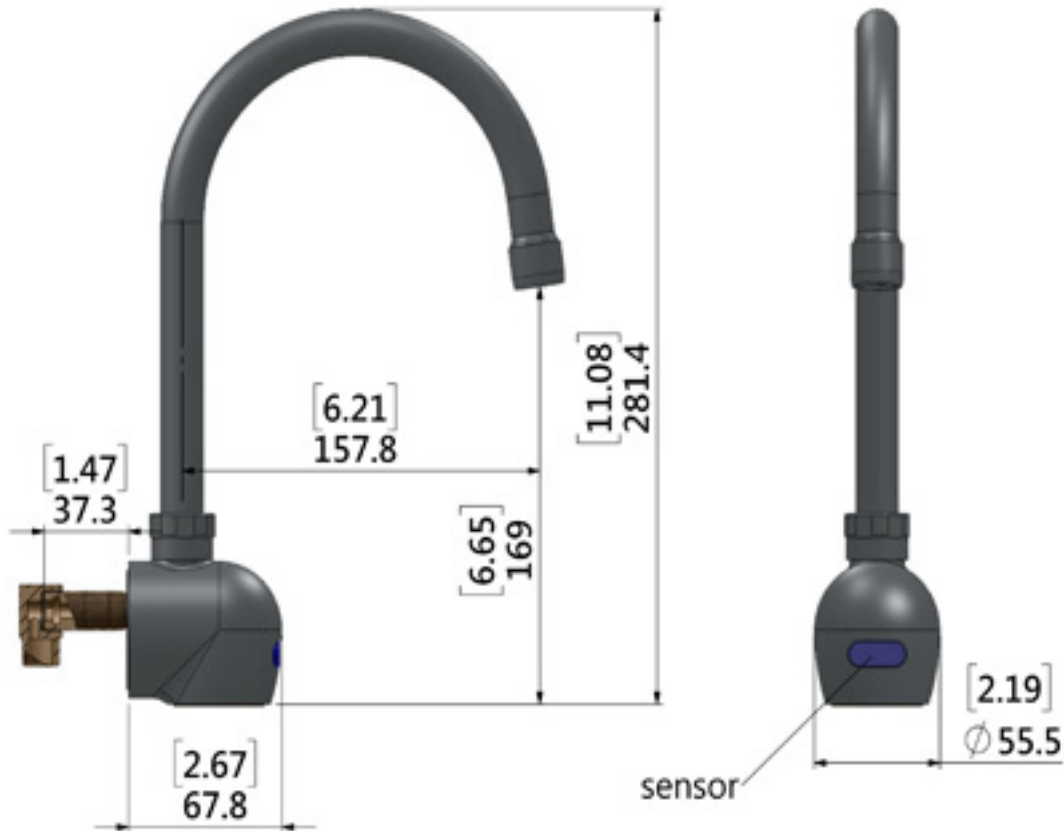
**Wall Mounted Sensor
Faucet**

MODEL: M18

IMPORTANT

- Read the entire instructions entirely prior to installation.
- Prior to continuing the fixture to the water supply make sure that all the lines are flushed thoroughly. Debris in the lines can cause valves to malfunction and voids the warranty.
- Faucets should always be installed according to local plumbing and/or electrical codes.
- Turn off all electrical power to the outlets in the vicinity of the lavatory system you're about to install. Power must remain off until installation is complete.

Dimensions



Specifications

- Body: Solid brass with chrome
- Power: DC: 4 x Alkaline AA battery or AC 110V plug-in transformer
- Working Pressure: 5 - 213 psi
- Ambient Temperature Range: 36 - 194 °F (2-90 °C)
- Default Sensing Distance: 5.5"
- Response Time: 0.3 sec.
- Off Delay Time: 1 sec.
- Battery Life Cycle: 400,000 cycles
- Low Battery Indicator: Red LED Flash
- Too Low Battery: Red LED ON, Solenoid OFF

Operation

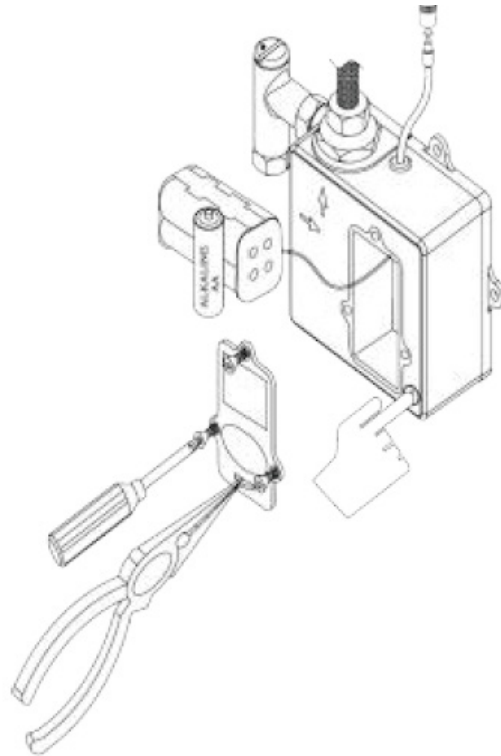
- Place hands under the spout. The water will start to flow. Water will keep flowing when hands remain under the spout.
- Clean the filter once a month.
- Keep the sensor eye clear.
- A static red sensor light indicates weak power. Replace the batteries with fresh alkaline AA batteries.
- The faucet is equipped with both AC adapter and batteries. When the transformer is plugged in, the batteries will function as back-up power.
- Fresh alkaline batteries can cycle on/off for 400,000 times.

Setting Sensor Range

- Press and hold the on/off button on the control box for 5-7 seconds. The water will stop running and the red LED will turn on.
- Release the on/off button. The red LED will turn off and the faucet will enter setup mode.
- Place hands 2-3 inches from the spout. Wait 5-10 seconds till red LED flashes.
- Place hands to the desired sensing distance. Hold your hands in place and press the on/off button.
- The default sensor distance is 5.5" and is adjustable from 1" to 6.5"

Battery Installation

- A red LED in the sensor eye and the stop of water flow indicates that fresh batteries are needed.
- Unscrew the three screws on the battery cover.
- Remove the battery cover.
- Remove the four old batteries.
- Hold on/off button for 7-10 seconds to clear the CPU memory.
- Install four new alkaline batteries.
- The red LED will flash for 2 seconds to indicate that normal operation can resume.
- Screw the battery cover back on.



Q&A

- **How do I keep the water flowing without placing hands under the spout?**

User can press the on/off button. The water will start to flow. When pressing the on/off button again the water will stop flowing. If the on/off is not pushed a second time, the water will stop flowing after 60 seconds.

- **How do I maintain the sensor?**

The sensor should be kept clear. Use only a soft cloth to clean.

- **How often does the filter need to be cleaned?**

This will depend on the water quality. We recommend to clean the filter once a month.

- **Why does the water keep running when the hands are removed?**

The sensing distance might be too long. Adjust the sensing distance to 5.5".

- **Why does the water stop flowing when the red LED is on?**

The battery is too weak. Install new batteries.