



**AQUADESIGN**  
MANUFACTURING

## Omnia Hand Dryer



## Installation Instructions

AquaDesign Mfg  
1748 W. Fillmore St.  
Phoenix, AZ 85007

+1 800-999-3101  
[www.AquaDesignMfg.com](http://www.AquaDesignMfg.com)  
[info@AquaDesignMfg.com](mailto:info@AquaDesignMfg.com)

## SAFETY INSTRUCTIONS

**Before to carry on any operation, please read carefully and take into account the following safety instructions:**

- Only a qualified technician can install, adjust and maintain this device. All these operations must be always done according to the current legal European Standards of installation and according the local installation regulations as well.
- Be careful when the casing of the appliance is dismantled because active parts of the device become accessible and then there is a potential risk of an electric shock.
- Before any electrical manipulation, the electrical current must be cut in order to avoid any electric shock risk.
- The installer must ensure that the appliance is earthed in accordance with the regulations in force.
- This appliance can be used by children aged from 8 years and above and persons with reduced physical, sensory or mental capabilities or lack of experience and knowledge if they have been given supervision or instruction concerning use of the appliance in a safe way and understand the hazards involved. Children shall not play with the appliance. Cleaning and user maintenance shall not be made by children without supervision.
- The device could not be installed on a normally inflammable surface.
- To fix the hand dryer to the wall follow the instructions of this manual and use the template provided with the device as well. To fix the machine with adhesives or similar methods is forbidden.

## PRIOR TO INSTALLATION

### Location

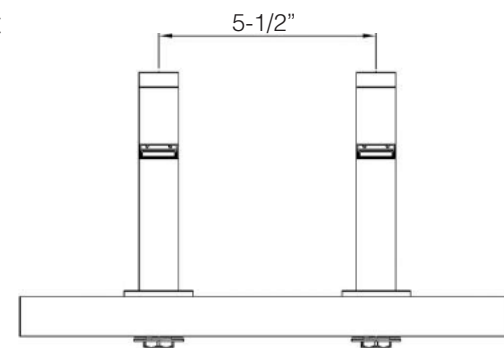
- The Wash & Dry hand dryers from AquaDesign are supplied with 51 inch hose on the OMD, the 'motor unit' must be placed within the hose length to the 'air unit'..

### Basin / Deck

- The basin or deck shall allow a hand dryer installation according to the present installation manual.
- The basin/deck must have a minimum depth of 4-3/4", vertical walls and not so rounded edges in order to avoid splashing on the user.

### Spacing

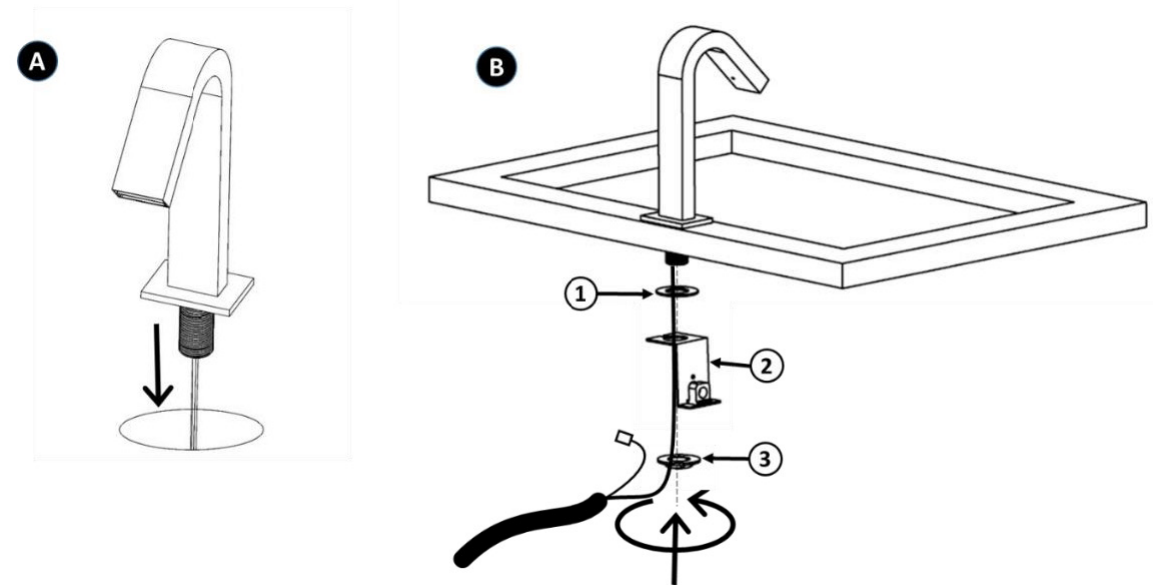
- The on-center distance to the Omnia water faucet should be at least 5-1/2"



## INSTALLATION

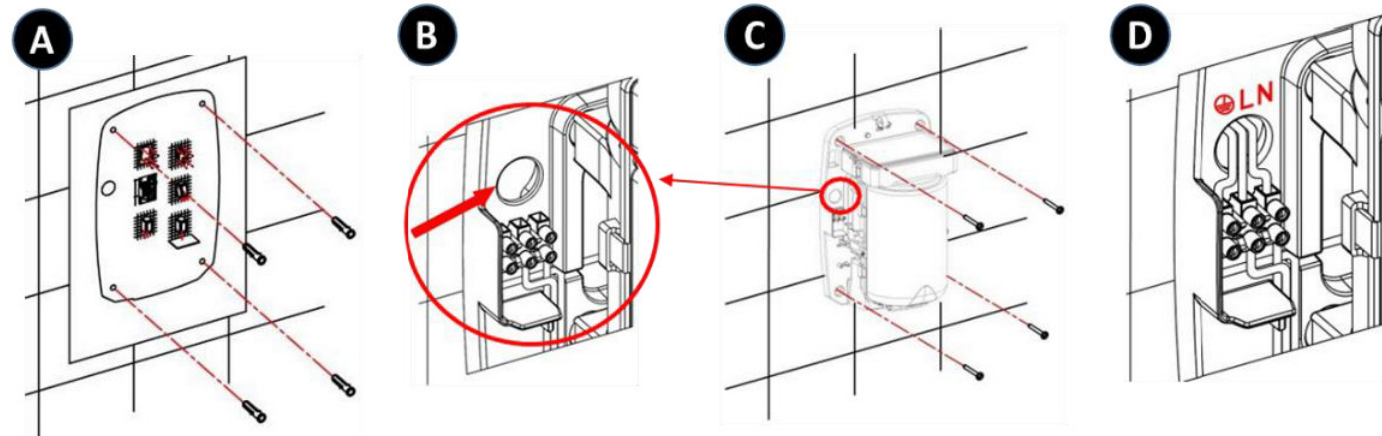
### SPOUT INSTALLATION

- Drill a 1-1/8" - 1-3/8"mm hole on the basin/deck if it is not already drilled.
- (A) Place the 'air unit' in the hole, inserting the IR sensor wire in advance.
- (B) Firmly hold the 'air unit' to ensure a correct placement, insert the rubber gasket (1), the metal plate (2) and tighten the fixing nut (3).



### ENGINE INSTALLATION

- Carefully remove the casing since it is connected to the base by a tab that joins the two pieces (casing and base) at the rear. Remove the casing keeping it at an angle at all times (Figure 3) until the upper tab is completely withdrawn, taking care to not damage the internal components, in particular the electronic circuit, and not damage the surface of the casing.
- -A) Make four drill holes with an 8 mm (0,31") diameter in the wall, using the provided template.
- (B) Pass the electrical cables from the power grid through the hole with the 22 mm (0,87") diameter which is situated above the device's terminal strip.
- (C) Firmly screw the base of the device to the wall, ensuring that the 4 silent- blocks are correctly placed between the base and the wall.
- (D) Connect the electrical cables to the hand dryer's terminal strip. Connect the cables corresponding to the two phases (N and L) and to earth in the corresponding sockets of the terminal strip, as indicated by the engraved letters.

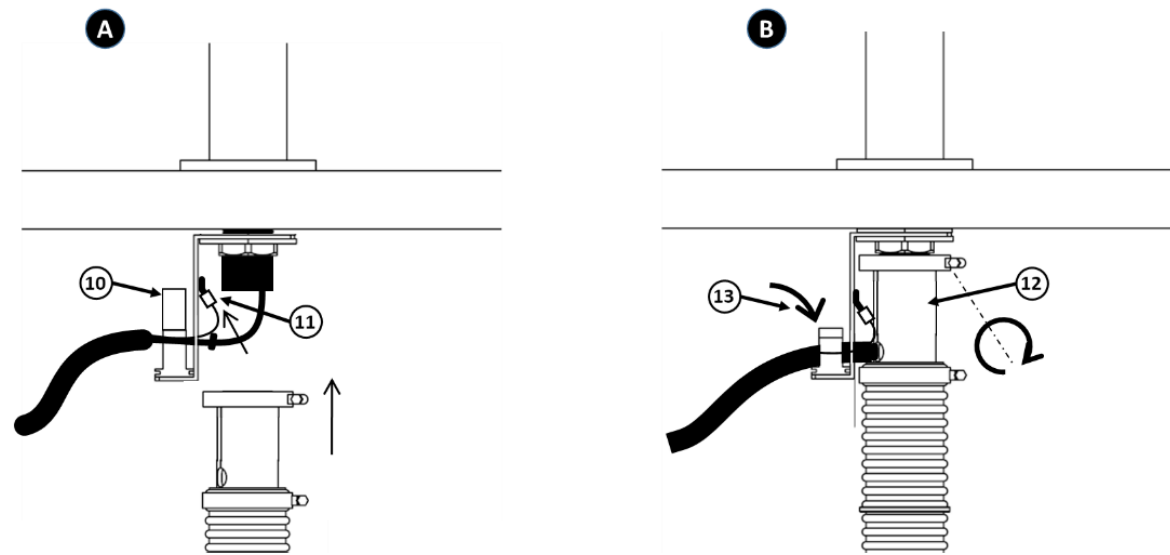


- When making these connections contemplate means for disconnecting from the power grid with a minimum contact separation of at least 3 mm (0,12") for all poles. These disconnection means must be incorporated into the fixed installation. The hand dryer must be installed against a solid surface only (wall, partition, or similar).

**The installation, operation and maintenance must be conducted in accordance with the National Electrical Code, ANSI/NFPA 70 applicable work and safety codes.**

#### AIR TUBE CONNECTION

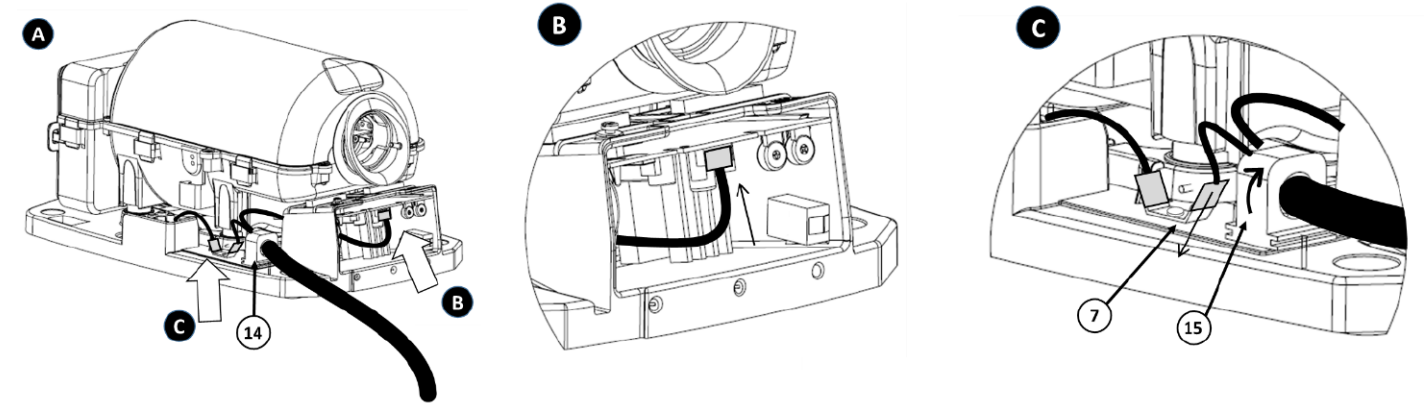
- (A) Route the corrugated tube through the plastic support (10), connect the grounding wire to the earth tag (11). Make sure the grounding connection is safe and reliable.
- (B) Route the IR electrical cables through the adaptor tube (12) cut, placing the gasket in the tube hole. Close the corrugated tube plastic support (13). Place the clamp in the adaptor tube and connect it to the 'air unit'. Place the adaptor tube as high as possible not forcing the wire. Firmly tight the clamp.



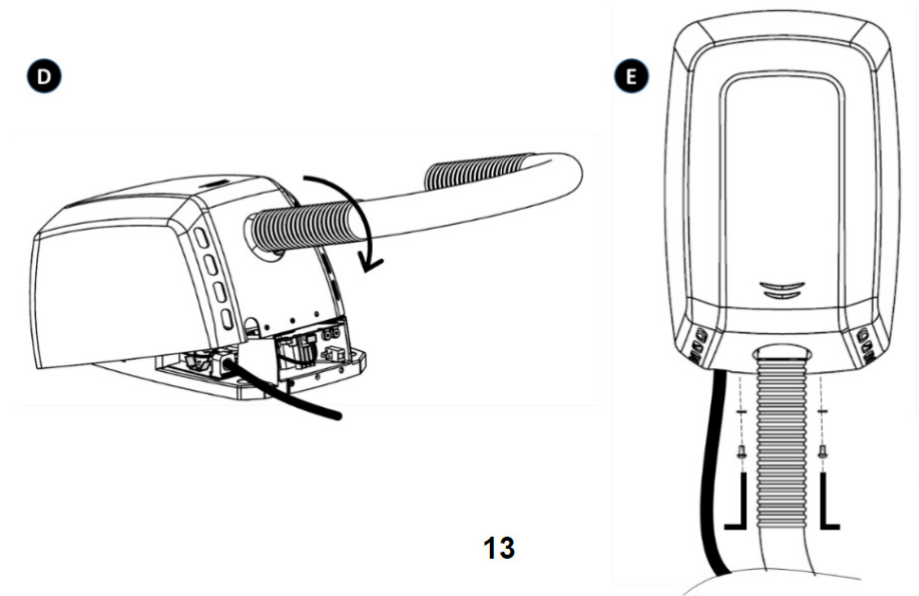
**Check the installation so that the IR sensor cables or the ground are not visible, the corrugated tube must completely protect them.**

#### IR SENSOR CONNECTION

- (A) Route the wire through the plastic support (14) and connect according to B & C.
- (B) Connect the IR sensor wire to the electronic board.
- (C) Connect the grounding wire to the earth tag (7) make sure the grounding connection is safe and reliable. Close the corrugated plastic support (15). **WARNING:** missing of this sequence may impair grounding connection and safety of the product.



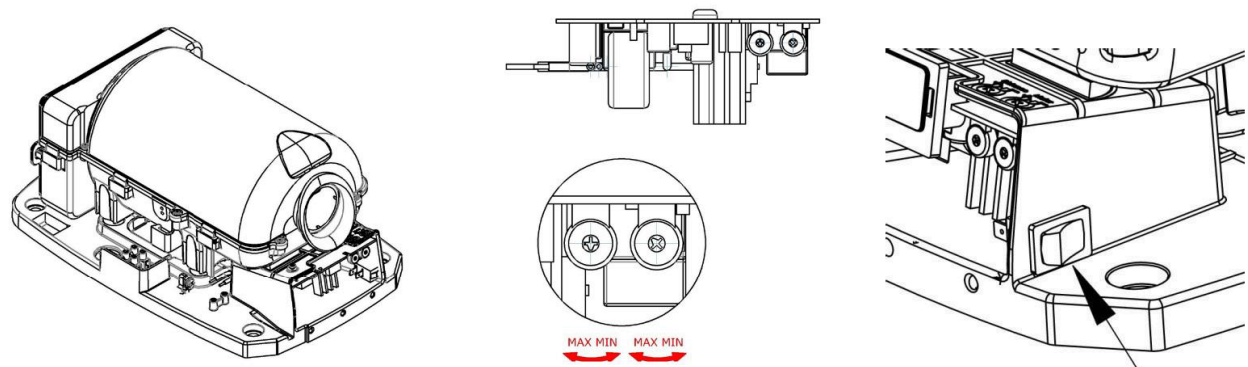
- (D) Carefully close the cover, taking care the corrugated tube places on the cover slot.
- (E) Place the washers and the screws for fixing the casing to the base, fixing them tightly using the special spanner provided.



## ADJUSTMENTS

### MOTOR, DETECTION DISTANCE ADJUSTMENT AND HEATING ELEMENT SWITCHING.

- The hand dryer has means to manually adjust the distance for detecting hands and the speed of the drying air.
- The adjustments can be made by moving the respective cursors of the two linear potentiometers, as shown in figure.
- The “motor unit” incorporates a heating element which could be connected or disconnected by the



‘ON/OFF’ switch.

## HOW TO USE

- The hand dryer starts automatically when the hands are placed near the LEDs detection zone, which is just next to the air outlet. Hand detection and the ensuring starting of the machine is based on emission-reflection-reception of an IR light beam coming from the sensors. The detection distance is between 120 and 150 mm approximately. (4.72 – 5.9”).

## MAINTENANCE

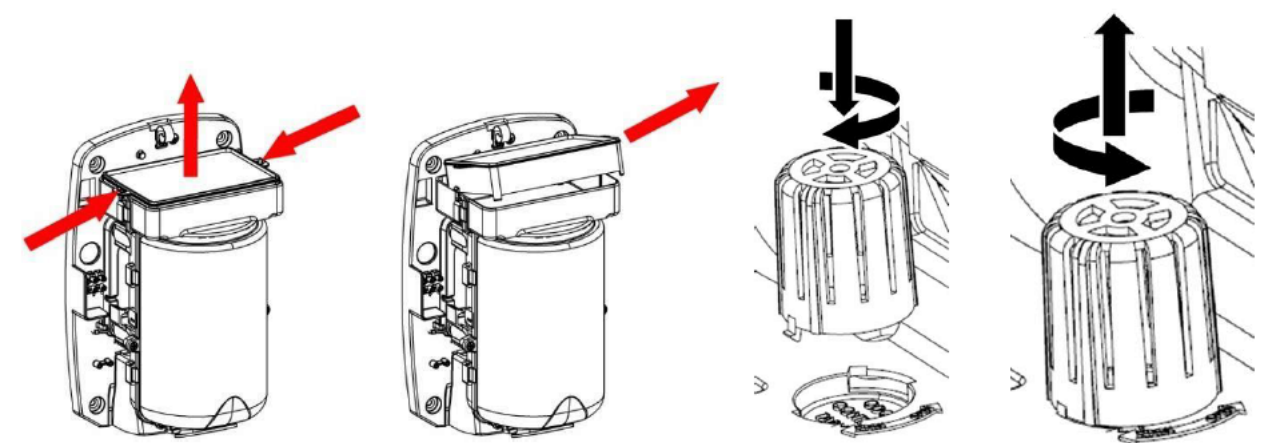
Adequate cleaning of the hand dryer will extend its useful life. It is recommended to remove any dust accumulated inside the hand dryer at least once a year.

- Disconnect the hand dryer from the power supply.
- Clean away the dust and remove any dirt accumulated inside the hand dryer, using a dry cloth or a soft brush.
- Clean from the air input to inside the motor (upper part of the nozzle) preventing dust or dirt falling inside the turbine-motor assembly.
- Carefully clean the dust away from around the electronic circuit located inside its box- type housing.

Carry out this operation taking maximum care not to damage any component of the electronic circuit.

- Clean the casing using a damp cloth moistened in a solution of neutral soap and water. After cleaning the entire surface, to rinse the soap from the casing using another cloth moistened in water and dry using a dry cloth.
- Close the hand dryer by assembling the casing once more, tightening the screws that fix the casing to the base and connect to the power grid.
- Start the hand dryer up 2 or 3 times in a row to ensure that all remaining dust is extracted.

### Air filter and odor-neutralizing balls:



- Replace the old filter by pulling from the lateral flaps, as shown on picture.