



AQUADESIGN
MANUFACTURING

Omnia Water and Soap



Installation Instructions

AquaDesign Mfg
1748 W. Fillmore St.
Phoenix, AZ 85007

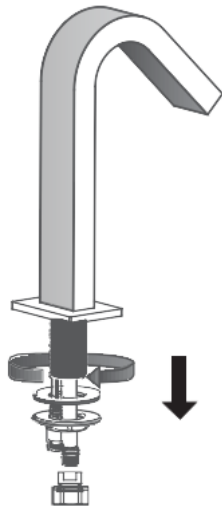
+1 800-999-3101
www.AquaDesignMfg.com
info@AquaDesignMfg.com

INSTALLATION

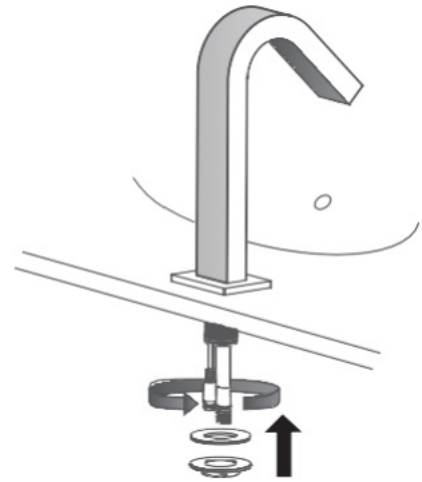


Warning :Before installing the new spout it is essential that you thoroughly flush through the pipework in order to remove any remaining swarf, solder etc.

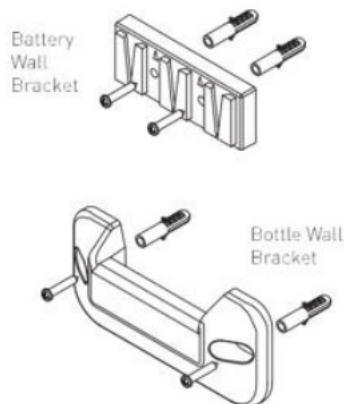
Failure to carry out this procedure could cause problems or damage to the workings of the spout. This product must not be modified in any way as this will invalidate the guarantee.



1. Screw off the rotary union, nut and gasket from the faucet.



2. Fit the spout to the basin ensuring the cables and hose are threaded through the hole in the basin.

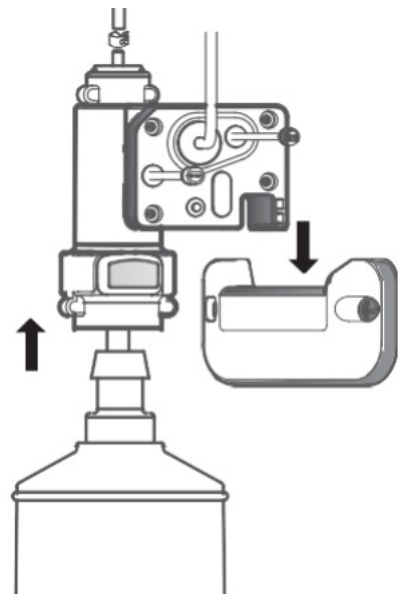


3. Fit wall bracket.

Position the brackets onto the wall and mark the position of the fixing holes.

Remove the brackets and drill suitable holes for the wall plugs supplied.

Fit the wall plugs and brackets.

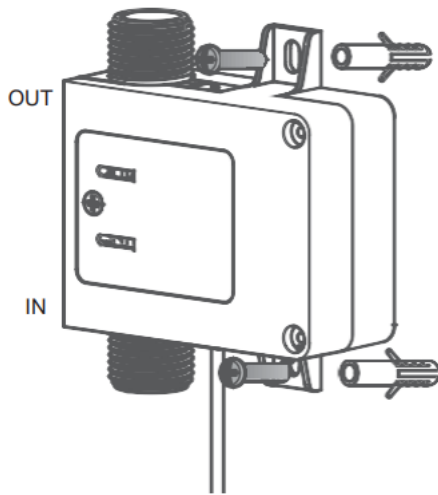


4. Attach the pump to bottle

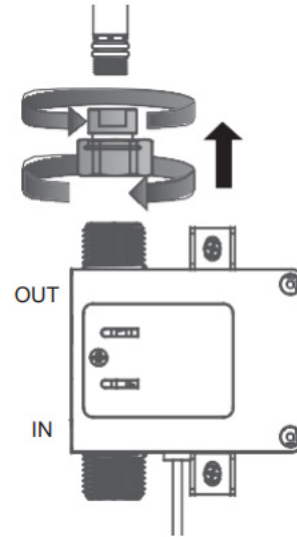
Ensure the dispenser tube is located inside the bottle and push the pump down firmly onto the bottle until a loud "click" is heard.

Connect the dispensing cable from the spout into the top connection on the pump.

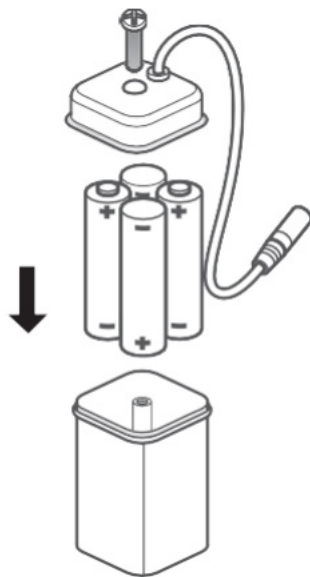
Place pump into bracket.



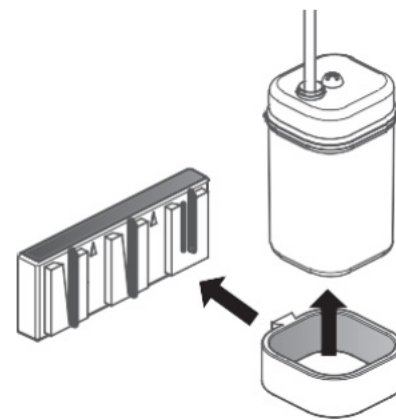
5. Position and fix the control box onto the wall surface.



6. Connect the hose with the rotary union to the outlet of the control box.



7. Insert Batteries.
Remove the battery cover and insert 4 x AA batteries in the case ensuring they are inserted the correct way.
Replace the battery box cover and tighten the screw.
Push the holder into the battery case wall bracket.



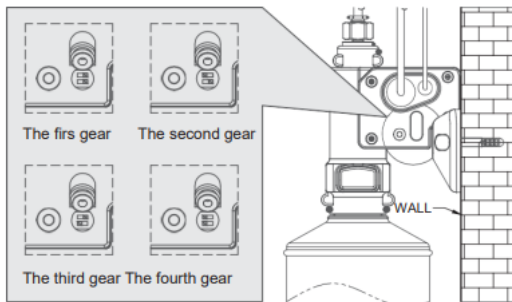
8. Insert the case into the holder .
Push the holder into the battery case wall bracket.

Priming the Soap

1. Fill the bottle full of liquid soap.
2. Press and hold the dispense button on the control box, release when the soap is dispensed.
3. Start the system by passing your hand in the sensor range, soap will dispense automatically.

Note: The soap dispenser has four soap volume settings:

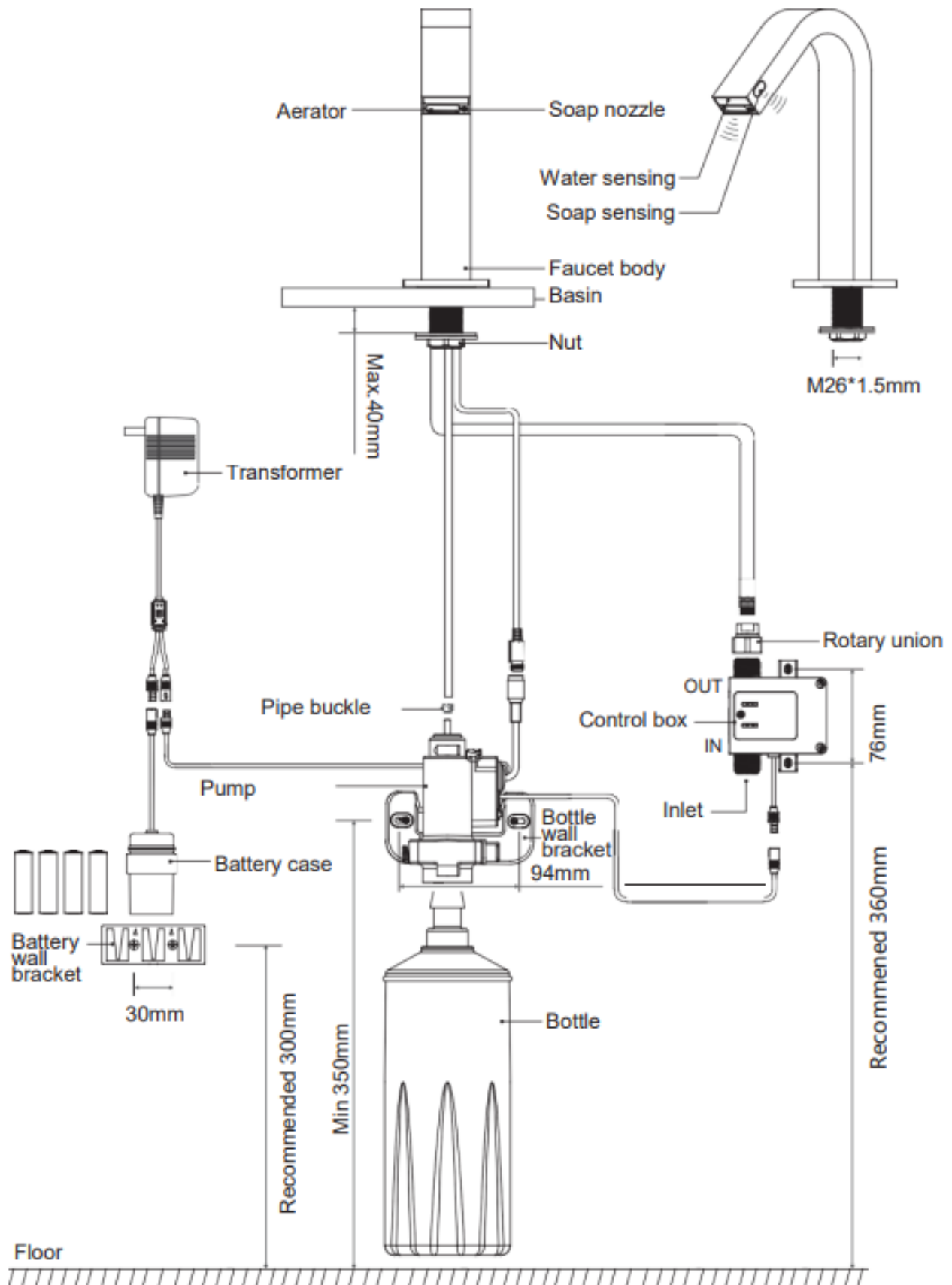
1. Low volume (*first gear*)
2. Normal volume (*second gear*)
3. Medium volume (*third gear*)
4. High Volume (*fourth gear*)



Viscosity of liquid soap: 100-3500 cp (mpA.s)

Recommended Usage			
Domestic	✓	Heavy Commercial	✓
Light Commercial	✓	Healthcare	✗

Parts



Specifications

Model No.	OM-1-L
Description	Automatic faucet with soap dispenser
Power supply	DC: 6V (4 x AA alkaline batteries) AC: 110V
Static Power Consumption	DC: $\leq 0.18-0.33$ mW
Sensing Range	Sensing for water: $9'' \pm 2''$ Sensing for soap: $4'' \pm 3/4''$
Water Pressure	8 - 116 psi
Ambient Temperature	34°F - 131°F
Inlet	1/2"

Trouble Shooting

Symptom	Cause	Solution
No Water	Dead battery	Change batteries
	Water supply is cut off	Check water supply
	Water pressure is too low	Clean the filter
No Soap	Air in the soap tubing	Press the priming button till soap is dispensed
	Too low ambient temperature (soap is prone to freezing)	Add warm water to soap (140°F)
	Too few soap in the bottle	Add soap
	The check valve is blocked	Replace the check valve
Water or soap will not turn off	Dirt on the sensor window	Clean the sensor
Too little water flow	Water supply is turned down	Adjust water supply
	The filter is dirty	Clean the filter
	Water pressure is too low	Raise the pressure
Too much water flow	Water pressure is too high	Adjust pressure
	Flow regulator	Check and replace flow regulator
Short cycles of battery	Incorrect batteries	Change to AA alkaline batteries
The indicator light is on	The battery is dead	Change batteries
	Poor connection of battery	Check battery connections
	The circuit board of signal line is wet	Dry out
	The light is broken	Change the light or circuit board