




Omnia

OMD

Deck Mounted Hand Dryer

Dimensions	Consumption	Certifications	Technical	Barrier Free
Spout: 8-7/8 x 6-1/8 x 2-3/4 Engine: 13" x 8-3/8 x 6-7/8	6.4 - 10 A (120V)		Voltage: 100-120V Frequency: 60hz Power: 1300W Security Cut-Off: 60"	ADA TAS Alberta Building Code Ontario Barrier Free BC Building Code Code Construction Québec

Description

The countertop mounted hand dryer is capable of drying hands in just 10 seconds thanks to a pleasant jet of air that can reach speeds of 250 mph. The spout is made from chrome plated brass with a high polished finish.

With a HEPA filter media as well as Ion Hygienic Technology to stop the spread of bacteria in the air, this will be sure to dry hands in the most hygienic way possible.

The OMD is made to work alongside the sensor operated water and soap Omnia faucet (OM-L) but can also be installed on its own.

Furthermore, its touch-free deck mounted system makes all wastewater go into the sink and not onto the floor, keeping a more hygienic and clean washroom and at the same time avoiding slips, a common cause of accidents.

Technical Specifications

- Power: 100-120V / 208V / 220-240V
- Frequency: 50/60Hz
- Electrical isolation: Class I
- Total Power: 600 - 1,300 W
- Consumption: 6.4 - 10A (120V)
- Motor Power: 350 - 1,050W
- Rpm: 19,000 - 30,000
- Heating element power: 250W ("ON/OFF" switch)
- Security cut-off: 60"
- Engine cover thickness: 0.06"

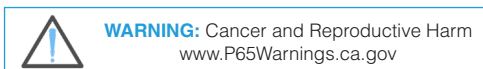
- Net weight: 11.5 lbs
- Drying time: 10-15"
- Effective airflow: 29.43 - 61.80 CFM (835- 1,755 L/min)
- Air velocity: 120 - 250 mph
- Air temperature (4" distance/ambient 71°F): 108°F
- Sound pressure (at 6 ft): 62-72 dBA
- Protection rating: IP23
- HEPA filter media: Yes
- Ionizer: yes
- Air freshener beads: Optional

Certifications

UL Listed

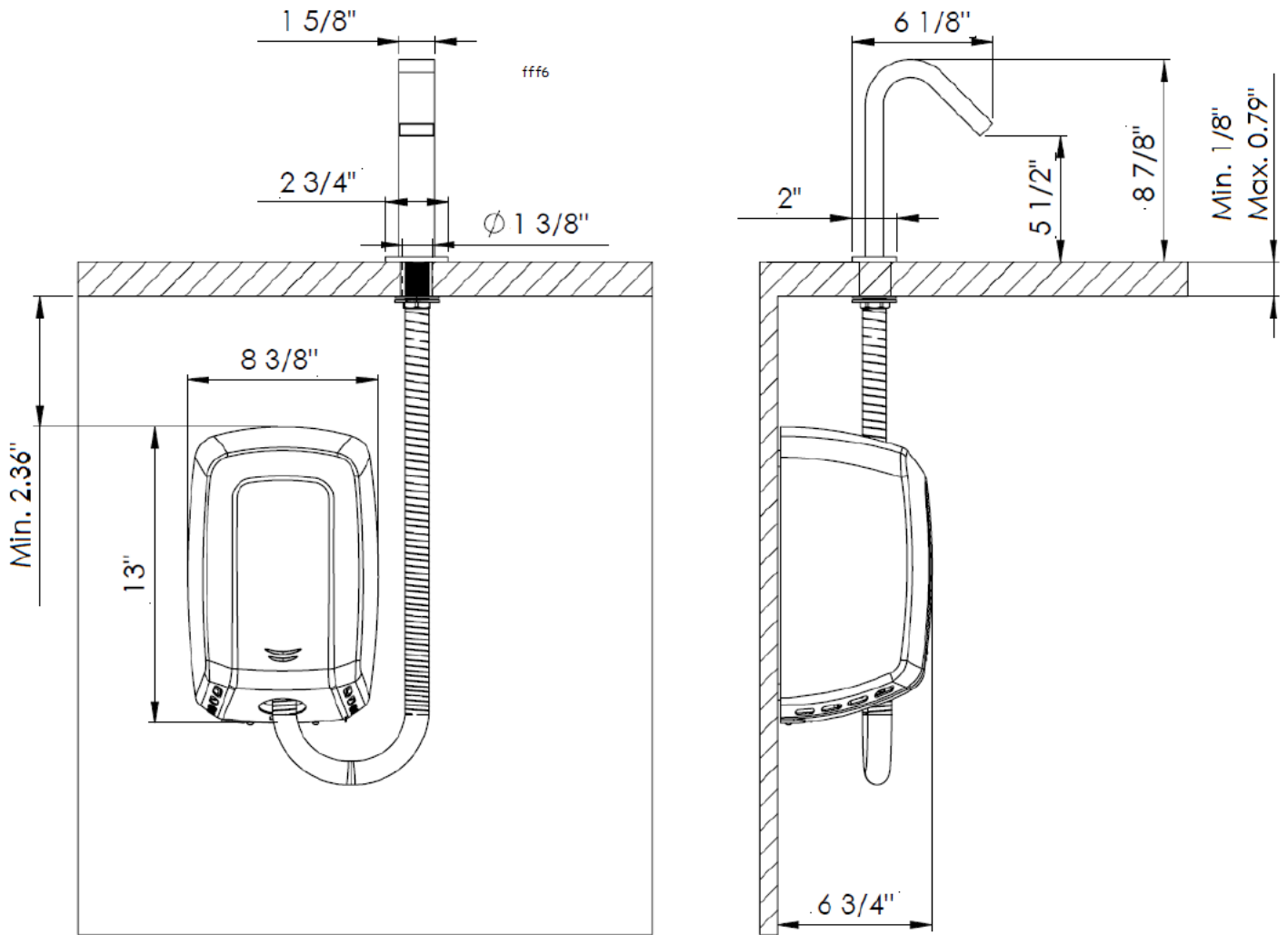
Warranty

1 year limited warranty.



001	Base Model Number (must specify)
<input type="checkbox"/>	OMD Omnia Deck Mounted Dryer

Dimensions



Dimensions: $\pm 4\%$