



Saniwave Rx

PRSD

Patient Room Lavatory

Dimensions	Water Use	Certifications	Technical	Barrier Free
22 ¹ / ₄ " x 20 ¹ / ₄ " x 19"	1.32 gpm laminar	 IAPMO Z124-2011 CSA B45.5-11 IAPMO IGC156 ASME A112.18.2-2011 CSA B125.2-11	Drain: 1 1/2" Supplies: 3/8" IPS	ADA TAS Code Construction Québec

Material & Construction

The Saniwave PRSD sink and skirt are made from solid surface. AquaDesign's solid surface is composed of acrylic polyester polymer resins and aluminum trihydrate fillers. The material is resistant to stains and burns and complies with ANSI Z124.3. AquaDesign's solid surface cleans easily with Scotchbrite®, household cleaners or fine grit sandpaper. The lavatory is available in 15 colors.

The Saniwave PRSD includes heavy gauge steel support brackets. The Saniwave PRSD is supplied with one chromed 1 1/2" brass grid strainer.

The bowl and skirt are molded in one piece and a stainless steel plate will enclose the fixture from the bottom. The seamless bowl and skirt means no dirt or bacteria will accumulate in seams.

Optional Anti-microbial

The Saniwave ICSD bowl can be manufactured with an anti-microbial agent. The agent will be present both on the surface and on the inside of the material and will not dissipate or scratch off. In contact with moisture, anti-microbial ions will be released and effectively kill bacteria.

Standard Equipment

Lavatory and drain cover in anti-bacterial solid surface material, steel mounting brackets, stainless access panel, tail piece, and P-trap.

Activation & water distribution

AquaDesign offers two healthcare faucets for the PRSD:

- **U270310:** a faucet with a height spout and smooth interior to help prevent the build-up of bacteria. The faucet has a long 8 1/2" handle for activation.

- **U270320:** a faucet with a disposable spout. The faucet has a swiveling 8 1/2" long handle for activation. Several spout options are available:
 - Stainless steel spout: the faucet comes with two spouts. While one spout is being sterilized, the other one is in use.
 - Disposable spout: a plastic spout with smooth interior and laminar outlet.
 - Filtered spout: the spout functions as a point-of-use filter with a sterilization degree of 0.2 µm. Can be used with and is resistant to thermal and chemical flushes.

Application



The Saniwave PRSD is not to be used to dispense water for human consumption either by drinking or use in the preparation of food or beverages.

Warranty

5 years limited warranty on material, 1 year limited warranty on healthcare faucets.

SAMPLE SPECIFICATION

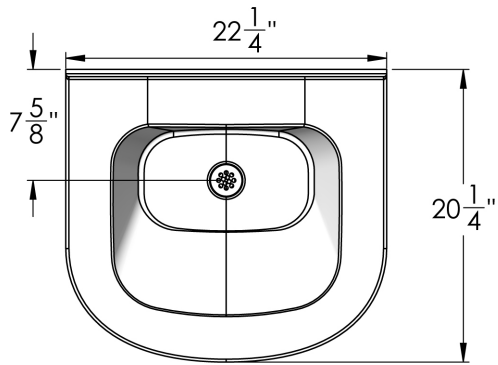
Fixture shall be AquaDesign Saniwave Rx PRSD single user hand wash station. Countertop and skirt are made from anti-microbial solid surface.

The unit is activated by a U270310/U270320 healthcare faucet with fixed/removable spout, and 8 1/2" blade handle activation.

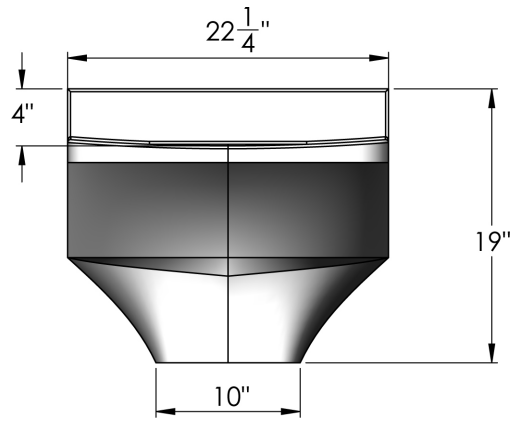


WARNING: Cancer and Reproductive Harm
www.P65Warnings.ca.gov

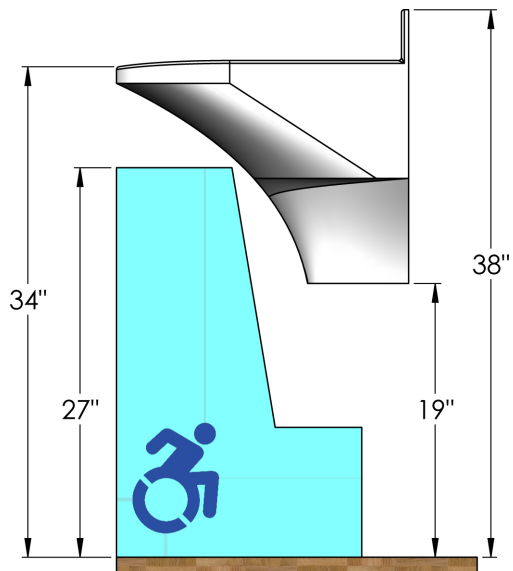
Top View



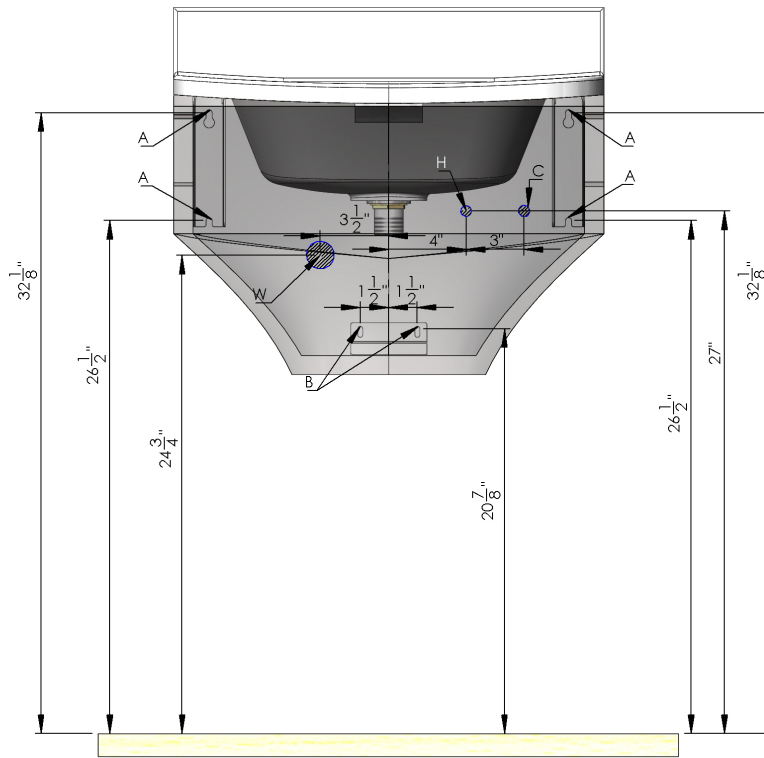
Front View



Side View Standard Height



Rough-In Dimensions



Notes:

1. Electrical receptacle must be wired to a GFCI protected circuit. Fixture must be earth grounded.
2. Consult local electrical code for need and use of extra electrical conduit box.
3. All height measurements are measured from the FINISHED floor.

Code	Description
A	1/4" Anchors for counter top with a pull out strength of min. 1000 lbs.
W	1 1/2" NPT Drain, stub out 2"
H, C	1/2" copper tubing for hot & cold supplies, stub out 2" from wall

Height Adjustments

Standard	Rim Height	Adjustment of A, B & W
ADA & TAS Adult	34"	None
ADA Juvenile, Age 6-12	Doesn't comply	
TAS, Grades 6 through 8 or 9	Doesn't comply	
TAS, Grades Pre-K through Grades 5 or 6	Doesn't comply	

001	Base Model Number (must specify)	
<input type="checkbox"/>	PRSD	Saniwave Rx Ligature Resistant Behavioral Healthcare Lavatory
002	Operation (must specify)	
<input type="checkbox"/>	-DEK	No faucet
<input type="checkbox"/>	-U270310	Mixer with high fixed spout
<input type="checkbox"/>	-U270320-U270110	Mixer with stainless steel removable spout (with 2 spouts)
<input type="checkbox"/>	-U270320-U270120	Mixer with removable and disposable spout (with 15 spouts)
<input type="checkbox"/>	-U270320-U270030	Mixer with removable and disposable filter spout (with 10 spouts)
003	Color (must specify)	
	<u>Standard Colors</u>	
<input type="checkbox"/>	-AB	Adobe Brown
<input type="checkbox"/>	-AW	Ash White
<input type="checkbox"/>	-BF	Black Forrest
<input type="checkbox"/>	-CO	Concrete Grey
<input type="checkbox"/>	-ES	Egyptian Sand
<input type="checkbox"/>	-MB	Midnight Blue
<input type="checkbox"/>	-MG	Misty Grey
<input type="checkbox"/>	-PB	Pearl Black
<input type="checkbox"/>	-PW	Polar White
<input type="checkbox"/>	-SA	Sandstone
<input type="checkbox"/>	-TG	Twilight Grey
	<u>Designer Colors</u>	
<input type="checkbox"/>	-BB	Belgian Blue
<input type="checkbox"/>	-MQ	Montreal Quartz
<input type="checkbox"/>	-PS	Paris Stone
004	Anti-Microbial Solid Surface	
<input type="checkbox"/>	-AMSS	Anti-Microbial Agent in Countertop

Approved by:

Name: _____

Title: _____

Signature: _____

Date: _____

All information including dimensions, changes in design and material are subject to manufacturer's change without formal notice and without obligation. AquaDesign assumes no responsibility for use of superseded or voided information. Verify all rough-in information before installation. It is the responsibility of the installer to conform with local and national codes.