



Saniwave

SANIW

Modular Lavatory System

| Dimensions | Water Use | Certifications | Technical | Barrier Free |
|---|-------------------|--|---|---|
| <p>Bowl Only: 18¾" x 21^{5/8}" x 15½"</p> <p>Bowl with Head: 18¾" x 21^{5/8}" x 20^{3/8}"</p> | 0.35 gpm/ 0.5 gpm |  IAPMO Z124-2011 CSA B45.5-11 IAPMO IGC156 ASME A112.18.2-2011 CSA B125.2-11 | Drain: 1 ½" Supplies: ½" IPS Inlet Pressure: 20-100 psi | ADA TAS Alberta Building Code Ontario Barrier Free BC Building Code Code Construction Québec |

Material & Construction

The innovative bowl and trap cover are made from anti-microbial solid surface. Our solid surface is a composite material of acrylic polyester polymer resins and aluminum trihydrate fillers. The material is resistant to stains and burns and complies with ANSI Z124.3. Solid surface cleans easily with Scotchbrite®, household cleaners or fine grit sandpaper. The Saniwave is available in 15 colors.

The bowl and skirt are molded in one piece and a powder coated steel plate will enclose the fixture from the bottom. All the working components of the unit are mounted in a polished stainless steel water distribution head with vandal resistant locks.

Anti-microbial

The Saniwave bowl and shelves are manufactured with an anti-microbial agent. The agent is present both on the surface and on the inside of the material and will not dissipate or scratch off. In contact with moisture, anti-microbial ions will be released and effectively kill bacteria.

Standard Equipment

Fixture in anti-bacterial solid surface material, steel mounting brackets, steel access panel, and tail piece..

Activation & Water Distribution

Infrared detection is standard (Model#: SANIW-SEN). The system is operated by a 6V lithium battery and reacts to hands detection field. As an alternate the unit can be supplied with a transformer and plug (Option suffix: -HW).

As an alternate the water distribution head can be equipped with pushbutton metering valves (Model#: SANIW-INH). The timing of the water is set at 10 seconds. The Saniwave can also be activated by electronic piezo touch buttons (Model#: SANIW-PZO). A very light touch on the button will open the solenoid valve. The water will flow for 10 seconds and can be shut off before earlier. An automatic flushing cycle that flushes the unit every 24 hrs can be programmed to help prevent the growth of legionnaires' bacteria.

The Saniwave® can also be supplied with AquaDesign's Line 12, Line 13, Line14, Omnia or Line70 faucets.

Soap Dispenser

The Saniwave is available with an integral hands-free soap dispenser. This soap dispenser will supply 1.2 ml of concentrated soap, immediately followed by the flow of water. This soap system works on the pressure of water and doesn't require any extra power source. The pushbutton and piezo units are available with a pushbutton soap dispenser that is fully integrated in the water distribution head.

Shelves can be pre-cut to allow for the installation of 2 or more fixtures at either 30" or 40" centers.

LEED Compliance

When supplied with AquaDesign's faucets, The Saniwave contributes to meeting LEED requirements in the following categories:

- WEp1 - Water Efficiency
- WEc3 - Water Use Reduction

The nozzles have a flow rate of 0.35 gpm.

Application



The Saniwave is not to be used to dispense water for human consumption either by drinking or use in the preparation of food or beverages.

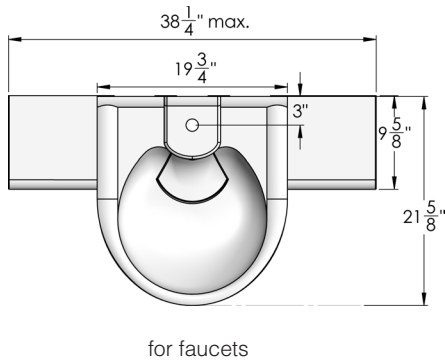
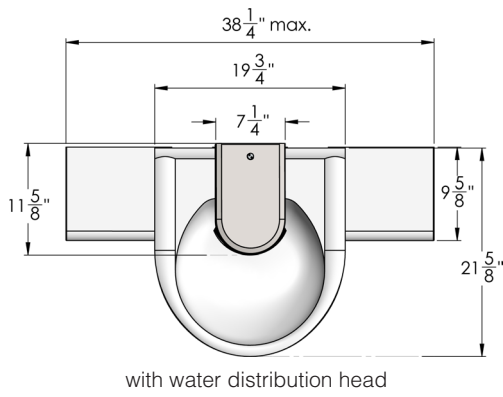
Warranty

5 years limited warranty on material, 3 years limited warranty on components from spray heads, 1 year limited warranty on AquaDesign faucets.

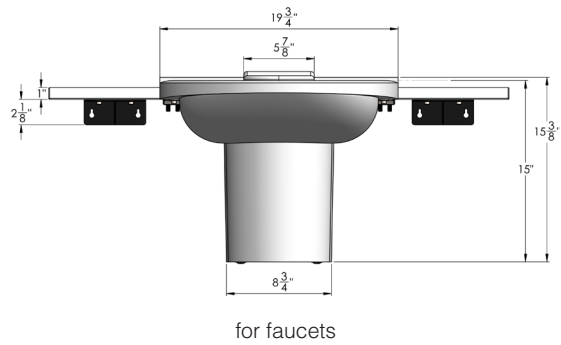
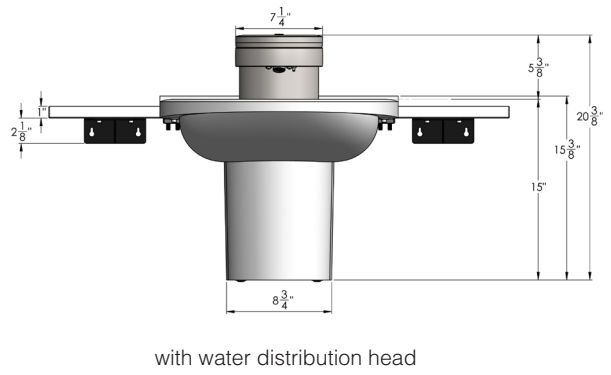
SAMPLE SPECIFICATION

Fixture shall be AquaDesign Saniwave® handwash station (specify model and optional equipment). The bowl and trap cover is to be made from anti-bacterial solid surface material and shall conform with ANSI Z124.3. The water distribution head shall with a polished stainless steel and shall be activated by *sensor/push button/piezo touch button/electronic faucet, push button faucet* and will be equipped with a thermostatic mixing valve, check valves and screens, 0.35 gpm vandal resistant nozzle and (optional) hands-free soap system. The fixture shall have a warranty of 5 years on material and 3 years on components.

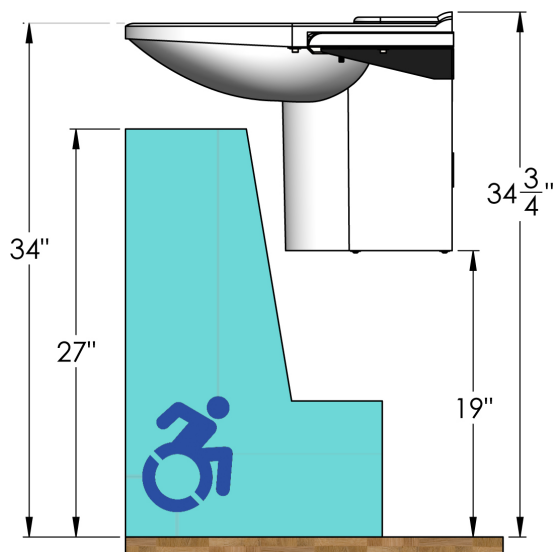
Top View



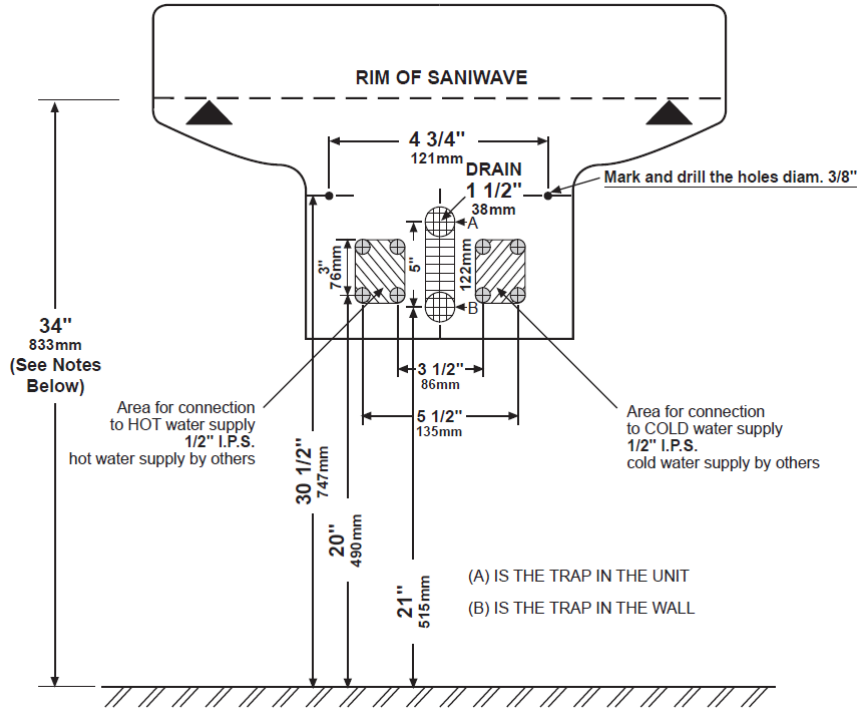
Front View



Side View Standard Height



Rough-In Dimensions



Notes:

1. Electrical receptacle must be wired to a GFCI protected circuit. Fixture must be earth grounded.
2. Consult local electrical code for need and use of extra electrical conduit box.
3. All height measurements are measured from the FINISHED floor.

Height Adjustments

| Standard | Rim Height | Adjustment of A, B & W |
|---|------------|------------------------------------|
| ADA & TAS Adult | 34" | None |
| ADA Juvenile, Age 6-12 | 31" | Subtract 3" from height in drawing |
| TAS, Grades 6 through 8 or 9 | 32" | Subtract 2" from height in drawing |
| TAS, Grades Pre-K through Grades 5 or 6 | 30" | Subtract 4" from height in drawing |
| Alberta, Ontario and BC Building Code | 865 mm | None |
| Code de Construction Québec | 865 mm | Aucune |

| | | |
|---|--------|--|
| 001 Base Model Number (must specify) | | |
| <input type="checkbox"/> | SANIW | Saniwave Modular Lavatory System |
| 002 Operation (must specify) | | |
| <input type="checkbox"/> | -SEN | Sensor Operated Spray head |
| <input type="checkbox"/> | -INH | Push Button Spray Head |
| <input type="checkbox"/> | -PZO | Piezo Touch Button Spray Head |
| <input type="checkbox"/> | -L12 | Line 12 Sensor Faucet |
| <input type="checkbox"/> | -L13 | Line 13 Sensor Faucet |
| <input type="checkbox"/> | -L14 | Line 14 Sensor Faucet |
| <input type="checkbox"/> | -OMW | Omnia Water Faucet |
| <input type="checkbox"/> | -L70 | Line 70 Push Button Faucet |
| <input type="checkbox"/> | -BFP | Faucet Plate (for center set faucets only) |
| 003 Soap (must specify) | | |
| <input type="checkbox"/> | -N | No Soap |
| <input type="checkbox"/> | -L | Integral Liquid Soap (only for spray heads) |
| 004 Supply (must specify) | | |
| <input type="checkbox"/> | -TEM | Tempered or Cold Water |
| <input type="checkbox"/> | -TMV | Thermostatic Mixing Valve |
| 005 Color (must specify) | | |
| <u>Standard Colors</u> | | |
| <input type="checkbox"/> | -AB | Adobe Brown |
| <input type="checkbox"/> | -AW | Ash White |
| <input type="checkbox"/> | -BF | Black Forrest |
| <input type="checkbox"/> | -CO | Concrete Grey |
| <input type="checkbox"/> | -ES | Egyptian Sand |
| <input type="checkbox"/> | -MB | Midnight Blue |
| <input type="checkbox"/> | -MG | Misty Grey |
| <input type="checkbox"/> | -PB | Pearl Black |
| <input type="checkbox"/> | -PW | Polar White |
| <input type="checkbox"/> | -SA | Sandstone |
| <input type="checkbox"/> | -TG | Twilight Grey |
| <u>Designer Colors</u> | | |
| <input type="checkbox"/> | -BB | Belgian Blue |
| <input type="checkbox"/> | -MQ | Montreal Quartz |
| <input type="checkbox"/> | -PS | Paris Stone |
| <input type="checkbox"/> | -SR | Sydney Rock Oyster |
| 006 Other Options | | |
| <input type="checkbox"/> | -HW | Plug-in Transformer for Sensor Head |
| <input type="checkbox"/> | -SWFC | Stainless Side Finishing Cover (in case no shelves are needed) |
| <input type="checkbox"/> | -LAM10 | 1.0 gpm laminar nozzle for Water Head |
| <input type="checkbox"/> | -LAM15 | 1.5 gpm laminar nozzle for Water Head |
| <input type="checkbox"/> | -LAM20 | 2.0 gpm laminar nozzle for Water Head |

Approved by:

Name: _____

Title: _____

Signature: _____

Date: _____



WARNING: Cancer and Reproductive Harm
www.P65Warnings.ca.gov

All information including dimensions, changes in design and material are subject to manufacturer's change without formal notice and without obligation. AquaDesign assumes no responsibility for use of superseded or voided information. Verify all rough-in information before installation. It is the responsibility of the installer to conform with local and national codes.