



# SD15 Soap Dispenser

U700150

## Sensor Wall Mounted Soap Dispenser

Dimensions	Soap Use	Technical	Barrier Free
Height: 8-5/8" Diameter: 1-1/2"	1-1.5 ml per shot	Power: 110V Plug in Transformer	ADA TAS Alberta Building Code Ontario Barrier Free BC Building Code Code Construction Québec

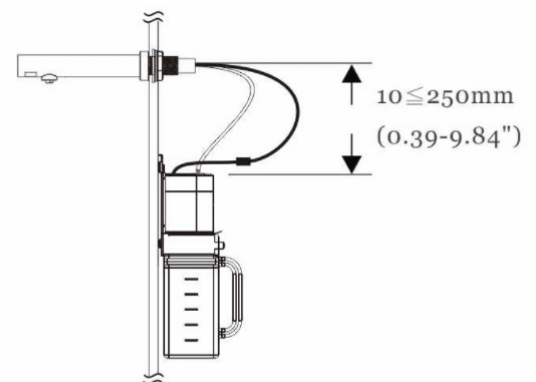
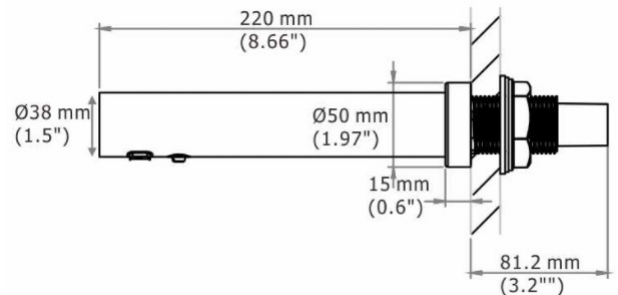
### Features

The SD15 is a stainless steel wall mounted automatic soap dispenser that dispenses liquid soap. One of the advantages of installing the SD15 is that it gives the restroom a nice and clean look, especially when installed with the other AquaDesign wall mounted range of hand dryer and sensor faucet, because only the spout is affixed to the wall with the main mechanism hidden behind the wall.

The LEDs around the front panel not only give the user a fun interacting experience when using this auto soap dispenser, but also act as an indicator to remind the maintenance staff of the soap level, or whether the right type of soap is used.

### Technical Specifications

- Power Source: AC plug (6V)
- Sensing Range: 4-3/4" auto detecting, adjustable
- Capacity: 50 oz, refillable reservoir
- Liquid Soap Viscosity Range: 1~ 3000 mPa•s
- Soap Pump Life Cycle: 100k
- Mechanism Life Cycle: 500k
- Drip Proof: IP35
- CE, EMC, LVD certified
- Patented: Taiwan, China, United States, EU
- Soap per shot: Liquid 1-1.5 ml
- Soap Pump Life Cycle: 100,000 cycles
- Mechanism Life Cycle: 500,000 cycles



Recommended wall thickness: 10-30mm (0.39-1.18")

#### Base Model Number (must specify)

- U700150 Wall Mounted Sensor Soap Dispenser



**WARNING:** Cancer and Reproductive Harm  
[www.P65Warnings.ca.gov](http://www.P65Warnings.ca.gov)