



STREAMLAV LEGACY

SL03-A

Three User Lavatory System

Dimensions	Water Use	Certifications	Technical	Barrier Free
90" x 21 ^{1/2} " x 10 ^{1/2} "	0.5 gpm	 IAPMO Z124-2011 CSA B45.5-11 IAPMO IGC156 ASME A112.18.2-2011 CSA B125.2-11	Drain: 1 1/2" Supplies: 1/2" IPS Inlet Pressure: 20-100 psi	ADA TAS Alberta Building Code Ontario Barrier Free BC Building Code Code de Construction de Québec

Material & Construction

The countertop is made from anti-microbial solid surface. Solid surface is a composite material of acrylic polyester polymer resins and aluminum trihydrate fillers. The material is resistant to stains and burns and complies with ANSI Z124.3. Solid surface cleans easily with Scotchbrite®, household cleaners or fine grit sandpaper. Solid surface is available in 15 colors.

The Streamlav includes a heavy gauge steel powder coated support brackets.

The Streamlav™ is supplied with 1 1/2" chromed brass grid strainers and drain assembly.

Anti-microbial

The Streamlav bowl and sides are manufactured with an anti-microbial agent. The agent is present both on the surface and on the inside of the material and will not dissipate or scratch off. In contact with moisture, anti-microbial ions will be released and effectively kill bacteria.

Activation & water distribution

The Streamlav is available with different sensor faucet options

Standard Equipment

One-piece bowl in anti-bacterial solid surface material, solid surface side covers, powder coated support brackets, and tail pieces. When supplied with AquaDesign's faucets the unit is also comes standard with a single supply manifold and batteries for the faucets.

Optional Equipment

The Streamlav can be supplied with any of AquaDesign's faucets or can be drilled for faucets by others.

LEED Compliance

When supplied with AquaDesign's faucets, The Streamlav contributes to meeting LEED requirements in the following categories:

- WEp1 - Water Efficiency
- WEc3 - Water Use Reduction

Each nozzle has a flow rate of 0.50 gpm. The water cycle for the pushbutton operated units lasts 10 seconds dispersing that 0.083 gallons of water per cycle.

Accessibility

Standard Height: The Streamlav is designed to meet all ADA and TAS guidelines when mounted at the standard rim height of 34".

Juvenile Height: The Streamlav complies with ADA and TAS guidelines for the various juvenile categories when mounted at the proper rim height.

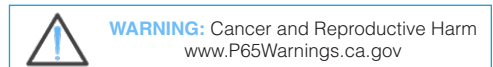
The installer is responsible for providing anti-scald protection.

Technical

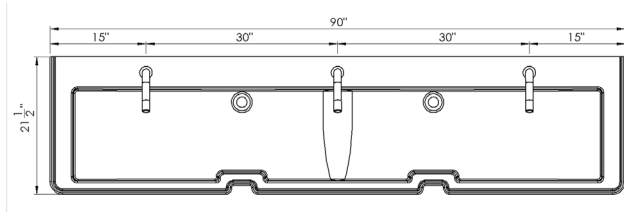
- Drain size: 1 1/2"
- Warranty: 5 years limited warranty on material and 1 year limited warranty on components.

SAMPLE SPECIFICATION

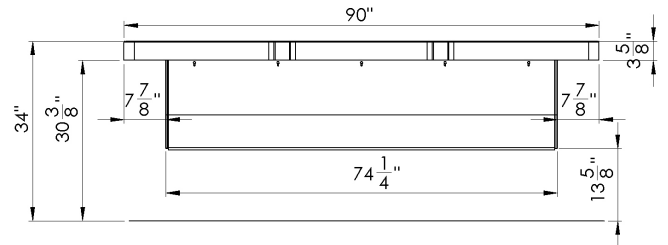
Fixture shall be AquaDesign Streamlav 3-user hand wash station. Countertop is made from anti-microbial solid surface.



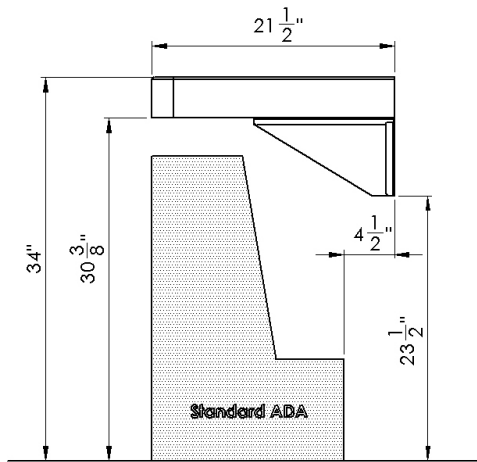
Top View



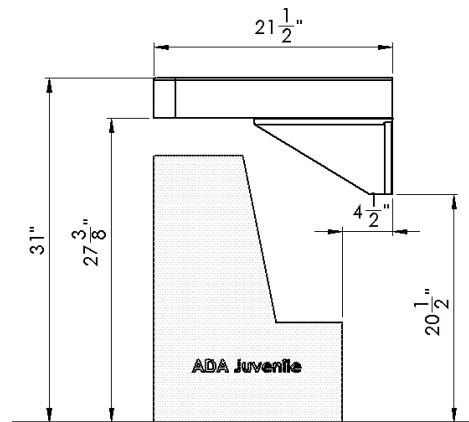
Front View



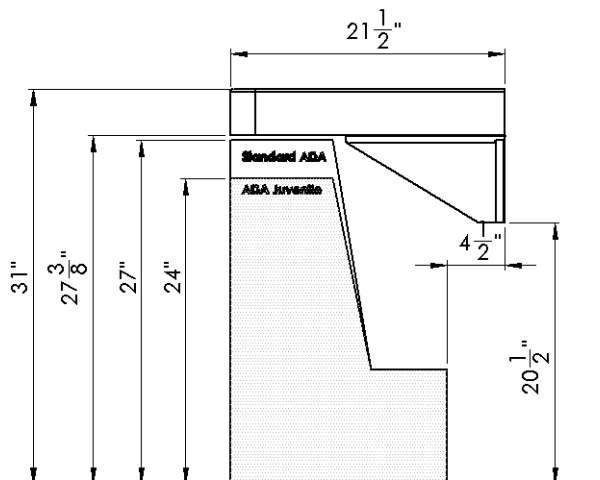
Side View Standard Height



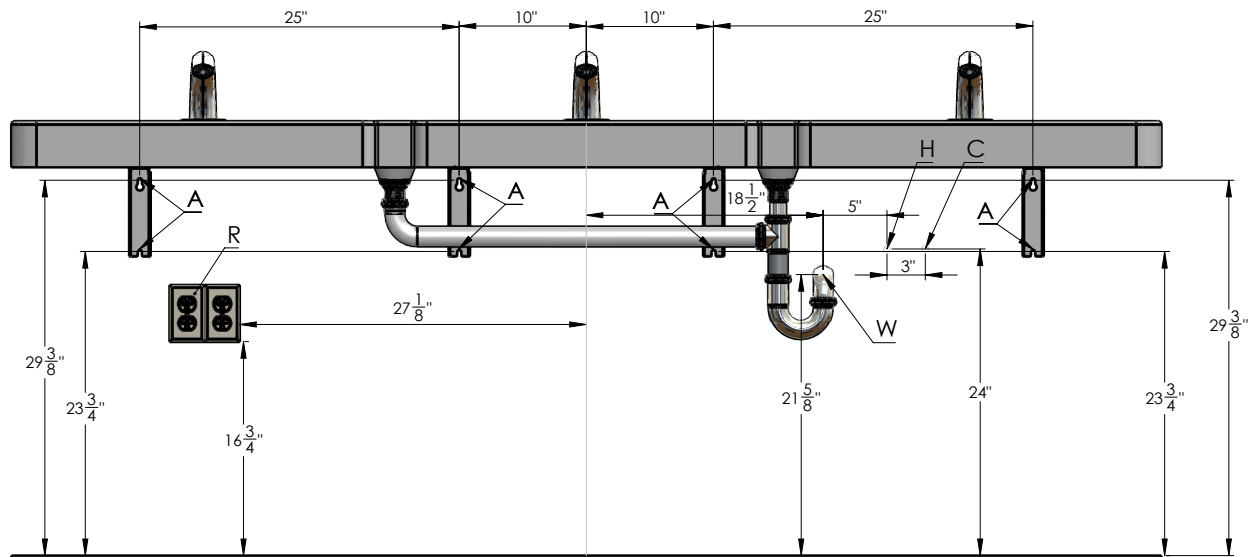
Side View Juvenile Height Ages 6-12



Ada Adult and Juvenile with Single Mounting Height



Rough-In Dimensions



Notes:

1. Electrical receptacle must be wired to a GFCI protected circuit. Fixture must be earth grounded.
2. Consult local electrical code for need and use of extra electrical conduit box.
3. All height measurements are measured from the FINISHED floor.

Code	Description
A	3/8" Anchors
W	1-1/2" Drain
H	1/2" Hot Water Supply
C	1/2" Cold Water Supply
R	120V Receptacle

Height Adjustments

Standard	Rim Height	Adjustment of A, B & W
ADA & TAS Adult	34"	None
ADA Juvenile, Age 6-12	31"	Subtract 3" from height in drawing
TAS, Grades 6 through 8 or 9	32"	Subtract 2" from height in drawing
TAS, Grades Pre-K through Grades 5 or 6	30"	Subtract 4" from height in drawing
Alberta, Ontario and BC Building Code	865 mm	None
Code de Construction Québec	865 mm	Aucune

001	Base Model Number (must specify)	
<input type="checkbox"/>	SL03-A	Three user Streamlav Legacy - No Skirt
002	Operation (must specify)	
<input type="checkbox"/>	-L12	Line 12 Sensor Faucet
<input type="checkbox"/>	-L13	Line 13 Sensor Faucet
<input type="checkbox"/>	-L14	Line 14 Sensor Faucet
<input type="checkbox"/>	-OMW	Omnia Sensor Faucet
<input type="checkbox"/>	-OML	Omnia Water & Soap Sensor Faucet
<input type="checkbox"/>	-L70	Line 70 Pushbutton Faucet
<input type="checkbox"/>	-DEK	No Faucets
003	Supply (must specify)	
<input type="checkbox"/>	-TEM	Tempered or Cold Water
<input type="checkbox"/>	-TMV	Thermostatic Mixing Valve
<input type="checkbox"/>	-STE	240V Instantaneous Water Heater
004	Color (must specify)	
	<u>Standard Colors</u>	
<input type="checkbox"/>	-AB	Adobe Brown
<input type="checkbox"/>	-AW	Ash White
<input type="checkbox"/>	-BF	Black Forrest
<input type="checkbox"/>	-CO	Concrete Grey
<input type="checkbox"/>	-ES	Egyptian Sand
<input type="checkbox"/>	-MB	Midnight Blue
<input type="checkbox"/>	-MG	Misty Grey
<input type="checkbox"/>	-PB	Pearl Black
<input type="checkbox"/>	-PW	Polar White
<input type="checkbox"/>	-SA	Sandstone
<input type="checkbox"/>	-TG	Twilight Grey
	<u>Designer Colors</u>	
<input type="checkbox"/>	-BB	Belgian Blue
<input type="checkbox"/>	-MQ	Montreal Quartz
<input type="checkbox"/>	-PS	Paris Stone
<input type="checkbox"/>	-SR	Sydney Rock Oyster
005	Stand Alone Soap Dispenser	
<input type="checkbox"/>	-SD7	Line 12 Soap Dispenser
006	Faucet Options	
<input type="checkbox"/>	-HW	Low Voltage Class II Plug-In Transformer (1 per faucet)
<input type="checkbox"/>	-CS	Hole Drilling for Center Set Faucets
<input type="checkbox"/>	-4C	Hole Drilling for 4" Center Faucets
<input type="checkbox"/>	-8C	Hole Drilling for 8" Center Faucets

Approved by:

Name: _____

Title: _____

Signature: _____

Date: _____

All information including dimensions, changes in design and material are subject to manufacturer's change without formal notice and without obligation. AquaDesign assumes no responsibility for use of superseded or voided information. Verify all rough-in information before installation. It is the responsibility of the installer to conform with local and national codes.