

Streamlav View

SLV04

Four User Lavatory System

Dimensions	Water Use	Certifications	Technical	Barrier Free
119 ^{1/4} " x 21" x 13 ^{3/4} "	0.5 gpm	 IAPMO Z124-2011 CSA B45.5-11 IAPMO IGC156 ASME A112.18.2-2011 CSA B125.2-11	Drain: 1 1/4" Supplies: 1/2" IPS Inlet Pressure: 20-100 psi	ADA TAS Alberta Building Code Ontario Barrier Free BC Building Code Code Construction Québec

Material & Construction

The innovative bowl is made from solid surface. Solid surface is a composite material of acrylic polyester polymer resins and aluminum trihydrate fillers. The material is resistant to stains and burns and complies with ANSI Z124.3. Solid surface cleans easily with Scotchbrite®, household cleaners or fine grit sandpaper. Solid surface is available in 15 colors.

If faucets are supplied it comes with a PEX supply manifold.

Anti-microbial

The Streamlav View bowl can be manufactured with an anti-microbial agent. The agent will be present both on the surface and on the inside of the material and will not dissipate or scratch off. In contact with moisture, anti-microbial ions will be released and effectively kill bacteria.

Standard Equipment

Countertop in solid surface material, steel mounting brackets, tail piece and p-trap.

Optional Equipment

The Streamlav View can be supplied with a stainless steel skirt assembly (Model -B). An extended skirt is also available (Model -BE).

The Streamlav View can be supplied with any of AquaDesign's faucets or can be drilled for faucets by others.

When choosing faucets by others try to minimize splashing by choosing faucets that are less than 4.5" in height (base faucet to aerator bottom). Aerators with a spray pattern are preferably 0.38 GPM or less, laminar or aerated aerators are preferably 0.5 GPM or less.

LEED Compliance

The Streamlav View® contributes to meeting LEED requirements in the folloView categories:

- WEp1 - Water Efficiency
- WEc3 - Water Use Reduction

AquaDesign's faucets have a standard water usage of 0.5 gpm.

Application



The Streamlav View is intended for handwashing only. It is not to be used to dispense water for human consumption either by drinking or use in the preparation of food or beverages.

Warranty

Warranty: 5 years limited warranty on material and 1 year limited warranty on components.

SAMPLE SPECIFICATION

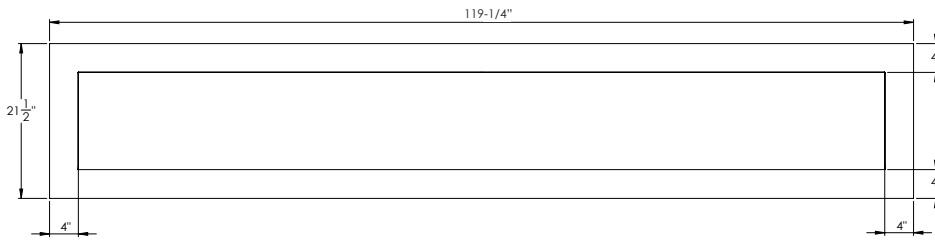
Fixture shall be AquaDesign Streamlav View four user hand wash station. Countertop is made from solid surface. The unit will be 119-1/4" long.

The unit is furnished with a Line12/Line13/Line14/Line70/Omnia faucet.



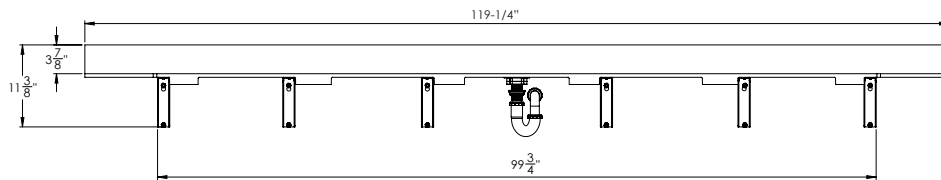
WARNING: Cancer and Reproductive Harm
www.P65Warnings.ca.gov

Top View

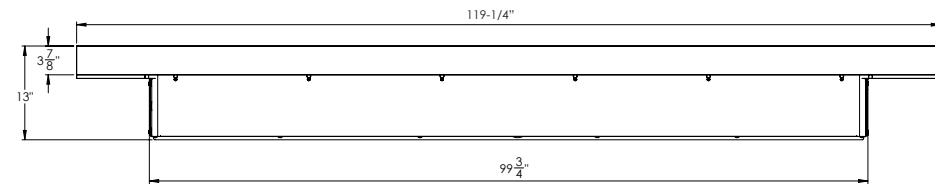


SLV04-A/B-L00R00

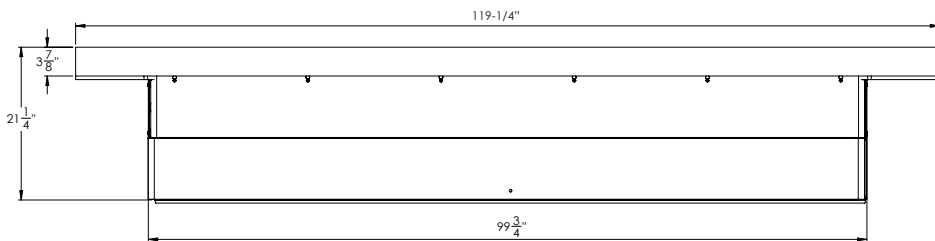
Front View



A-model (no skirt)

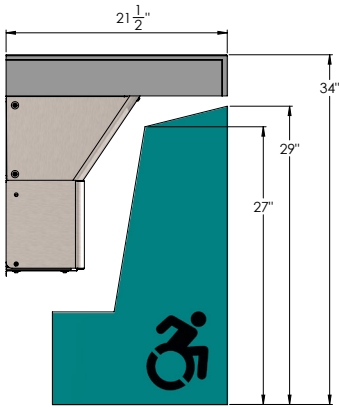


B-model (standard skirt)

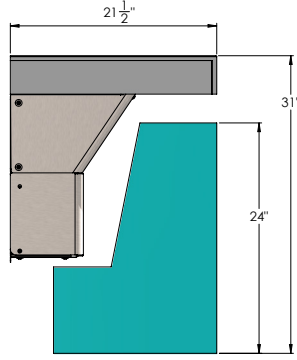


BE-model (extended skirt)

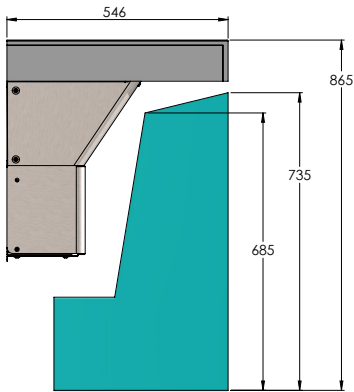
Side View



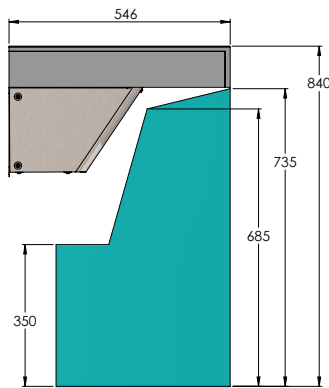
ADA, TAS
All Models



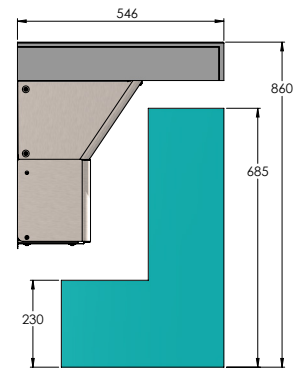
ADA - Juvenile Height
All Models



Alberta, BC, Québec
All Models

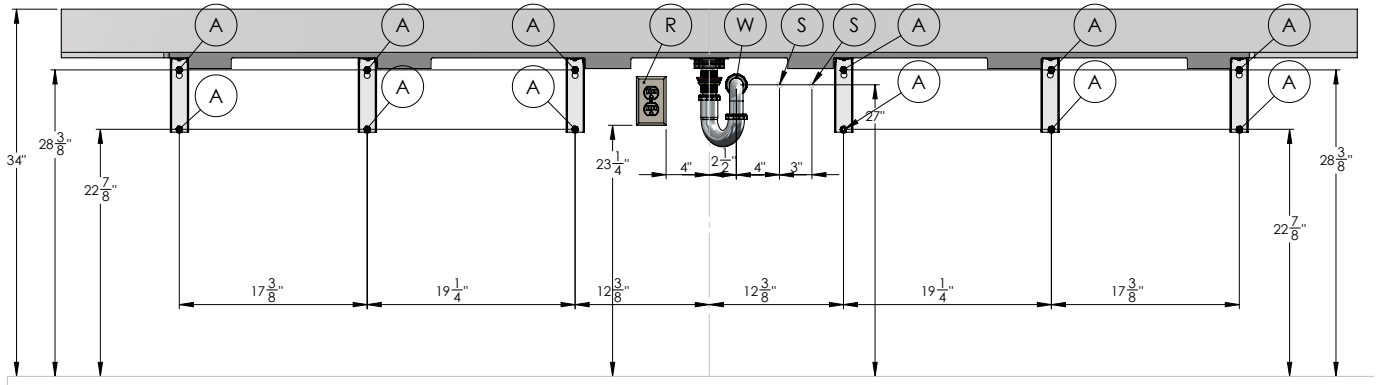


Ontario
A & B Models



CSA/ASC B651:23
All Models

Rough-In Dimensions SLV04-A (No Skirt Option)



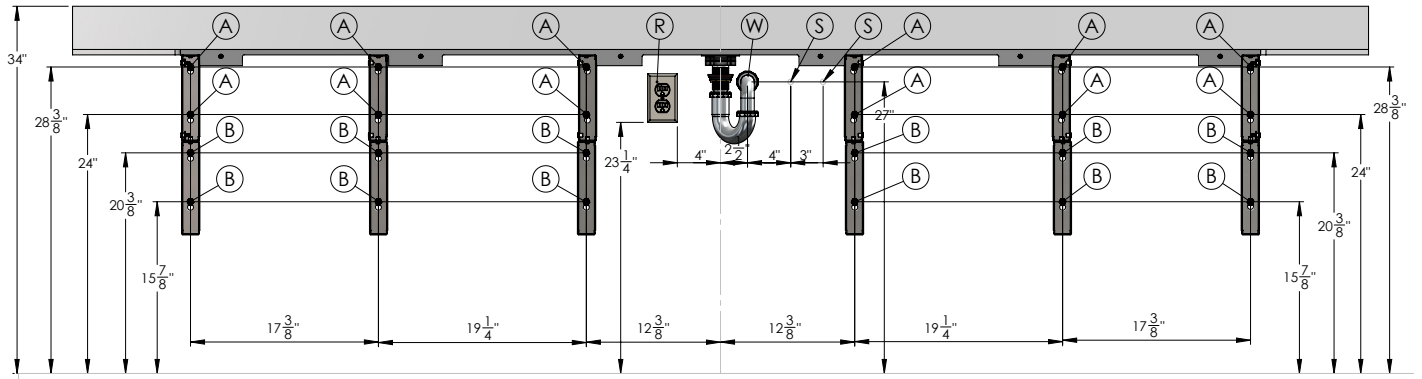
* All vertical measurements are measured from the FINISHED floor

Code	Description
A	1/4" Anchors for support brackets with a pull out strength of min. 1000 lbs.
W	1-1/4" NPT Drain, stub out 2"
S	1/2" copper tubing for hot & cold supplies, stub out 2"
R	110V GFCI Outlet

Height Adjustments

Standard	Rim Height	Adjustment of height for A, B, W, S & R
ADA & TAS Adult	34"	None
ADA Juvenile, Ages 6-12	31"	Subtract 3" to height in drawing
TAS, Grades 6 through 8 or 9	32"	Subtract 2" to height in drawing
TAS, Pre-K through Grades 5 or 6	30"	Subtract 4" to height in drawing

Rough-In Dimensions SLV04-B/SLV04-BE (with Skirt Option)



* All vertical measurements are measured from the FINISHED floor

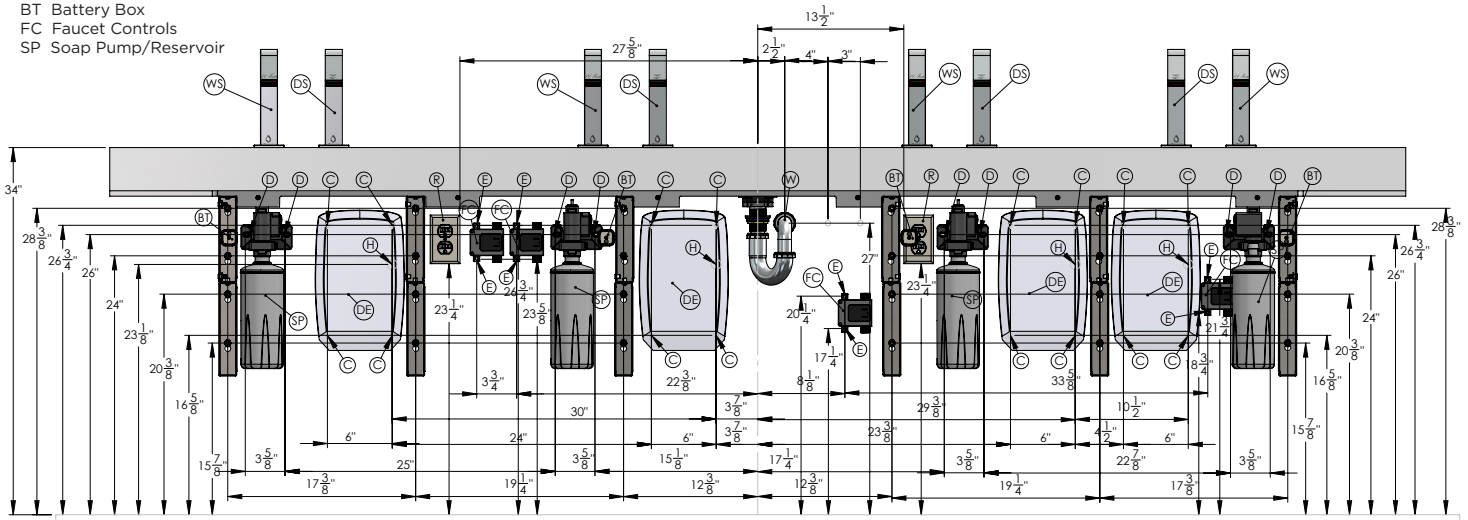
Code	Description
A	1/4" Anchors for support brackets with a pull out strength of min. 1000 lbs.
B	Only if skirt extension - 1/4" Anchors for support brackets with a pull out strength of min. 1000 lbs.
W	1-1/4" NPT Drain, stub out 2"
S	1/2" copper tubing for hot & cold supplies, stub out 2"
R	110V GFCI Outlet

Height Adjustments

Standard	Rim Height	Adjustment of height for A, B, W, S & R
ADA & TAS Adult	34"	None
ADA Juvenile, Ages 6-12	31"	Subtract 3" to height in drawing
TAS, Grades 6 through 8 or 9	32"	Subtract 2" to height in drawing
TAS, Pre-K through Grades 5 or 6	30"	Subtract 4" to height in drawing

Rough-In Dimensions Omnia Option

WS Water/Soap Spout
 DS Dryer Spout
 DE Dryer Engine
 BT Battery Box
 FC Faucet Controls
 SP Soap Pump/Reservoir



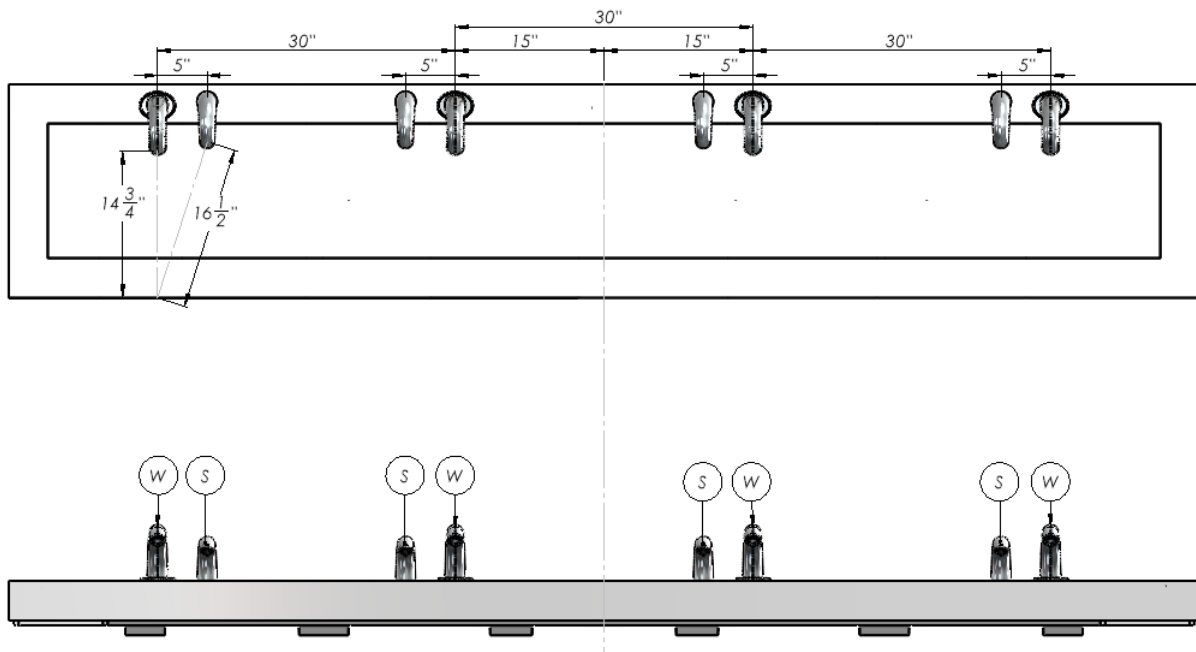
* All vertical measurements are measured from the FINISHED floor
 ** Use dimenions of page 4 or 5 for location of mounting bracket anchors

Code	Description
C	1/4" anchors for dryer engine
D	1/8" anchors for soap pump
E	1/8" anchors for water controls
W	1-1/4" NPT Drain, stub out 2"
S	1/2" copper tubing for hot & cold supplies, stub out 2"
H	Hardwire location for dryer engine
R	110V GFCI Outlet

Height Adjustments

Standard	Rim Height	Adjustment of height for A, B, W, S & R
ADA & TAS Adult	34"	None
ADA Juvenile, Ages 6-12	31"	Subtract 3" to height in drawing
TAS, Grades 6 through 8 or 9	32"	Subtract 2" to height in drawing
TAS, Pre-K through Grades 5 or 6	30"	Subtract 4" to height in drawing

Layout with Line 12 Soap Dispenser



001	Base Model Number (must specify)	
<input type="checkbox"/>	SLV04	Single User Streamlav View Lavatory System
002	Length of Lavatory (must specify)	
<input type="checkbox"/>	-120	119-1/4" Length
003	Skirt (must specify)	
<input type="checkbox"/>	-A	No Skirt
<input type="checkbox"/>	-B	Standard Stainless Steel Skirt
<input type="checkbox"/>	-BE	Extended Stainless Steel Skirt
004	Operation (must specify)	
<input type="checkbox"/>	-L12	Line 12 Sensor Faucet
<input type="checkbox"/>	-L13	Line 13 Sensor Faucet
<input type="checkbox"/>	-L14	Line 14 Sensor Faucet
<input type="checkbox"/>	-OMW	Omnia Sensor Faucet
<input type="checkbox"/>	-OML	Omnia Water & Soap Sensor Faucet
<input type="checkbox"/>	-L70	Line 70 Pushbutton Faucet
<input type="checkbox"/>	-DEK	No Faucet (specify faucet that will be used)
005	Supply (must specify)	
<input type="checkbox"/>	-TEM	Tempered or Cold Water
<input type="checkbox"/>	-TMV	Thermostatic Mixing Valve
006	Color (must specify)	
	<u>Standard Colors</u>	
<input type="checkbox"/>	-AW	Ash White
<input type="checkbox"/>	-MG	Misty Grey
<input type="checkbox"/>	-PW	Polar White
<input type="checkbox"/>	-SA	Sandstone
<input type="checkbox"/>	-SR	Sydney Rock Oyster
<input type="checkbox"/>	-TG	Twilight Grey
	<u>Custom Color</u>	
<input type="checkbox"/>	-	(specify custom color) _____
007	Soap (for -A & -BE models only)	
<input type="checkbox"/>	-SD12	Line 12 Soap Dispenser
<input type="checkbox"/>	-SD12TF	Line 12 Soap Dispenser with Top Fill Option
008	Other Options	
<input type="checkbox"/>	-AMSS	Anti-microbial Solid Surface
<input type="checkbox"/>	-CS	Hole Drilling for Center Set Faucets
<input type="checkbox"/>	-4C	Hole Drilling for 4" Center Faucets
<input type="checkbox"/>	-8C	Hole Drilling for 8" Center Faucets
<input type="checkbox"/>	-TCRL	Round Opening For Trash On Left Wing
<input type="checkbox"/>	-TCRR	Round Opening For Trash On Right Wing
<input type="checkbox"/>	-TCSL	Square Opening For Trash On Left Wing
<input type="checkbox"/>	-TCSR	Square Opening For Trash On Right Wing

Approved by:

Name: _____

Title: _____

Signature: _____

All information including dimensions, changes in design and material are subject to manufacturer's change without formal notice and without obligation. AquaDesign assumes no responsibility for use of superseded or voided information. Verify all rough-in information before installation. It is the responsibility of the installer to conform with local and national codes.