



Streamlav Wing

SLW01

Single User Lavatory System

Dimensions	Water Use	Certifications	Technical	Barrier Free
30" to 60" x 19-1/4" x 13 ^{3/4} "	0.35 gpm/ 0.5 gpm	 IAPMO Z124-2011 CSA B45.5-11 IAPMO IGC156 ASME A112.18.2-2011 CSA B125.2-11	Drain: 1 1/2" Supplies: 1/2" IPS Inlet Pressure: 20-100 psi	ADA TAS Alberta Building Code BC Building Code Code Construction Québec CSA/ASC B651:23

Material & Construction

The innovative bowl is made from solid surface. Solid surface is a composite material of acrylic polyester polymer resins and aluminum trihydrate fillers. The material is resistant to stains and burns and complies with ANSI Z124.3. Solid surface cleans easily with Scotchbrite®, household cleaners or fine grit sandpaper. The Streamlav Wing includes heavy gauge steel powder coated support brackets.

The Streamlav Wing is supplied with one stainless steel strainer (and optional overflow) per bowl. The fixture is supplied with a brass p-trap. If faucets are supplied it comes with a PEX supply manifold.

Anti-microbial

The Streamlav Wing bowl can be manufactured with an anti-microbial agent. The agent will be present both on the surface and on the inside of the material and will not dissipate or scratch off. In contact with moisture, anti-microbial ions will be released and effectively kill bacteria.

Standard Equipment

Countertop in anti-bacterial solid surface material, steel mounting bracket, tail piece & stainless strainer (Model -A)

Optional Equipment

The Streamlav Wing can be supplied with a stainless steel skirt assembly (Model -B). An extended skirt is also available (Model -BE).

The Streamlav Wing can be supplied with any of AquaDesign's faucets or can be drilled for faucets by others.

When choosing faucets by others try to minimize splashing by choosing faucets that are less than 4.5" in height (base faucet to aerator bottom). Aerators with a spray pattern are preferably 0.38 GPM or less, laminar or aerated aerators are preferably 0.5 GPM or less.

Configurations

The Streamlav Wing can be supplied in custom lengths. The length of either the left or right side can be increased up to 15" (with 1" increments).

As an alternate the Streamlav wing can be supplied with rounded corners.


LEED Compliance

The Streamlav Wing® contributes to meeting LEED requirements in the following categories:

- WEp1 - Water Efficiency
- WEc3 - Water Use Reduction

AquaDesign's faucets have a standard water usage of 0.35 gpm.

Application

 The Streamlav Wing is intended for handwashing only. It is not to be used to dispense water for human consumption either by drinking or use in the preparation of food or beverages.

Warranty

Warranty: 5 years limited warranty on material and 1 year limited warranty on components.

SAMPLE SPECIFICATION

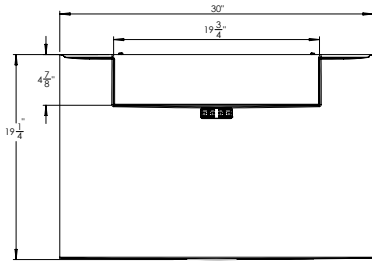
Fixture shall be AquaDesign Streamlav Wing single user hand wash station. Countertop is made from anti-microbial solid surface. The unit will have a solid surface drain cover/stainless steel skirt and will have no/an overflow. The unit will be xx (30" to 60") long.

The unit is furnished with a Line12/Line13/Line14/Line70/Omnia faucet.

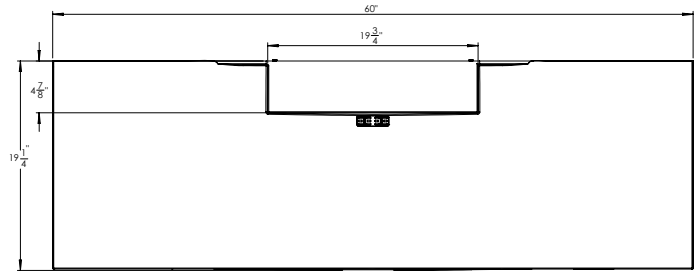


WARNING: Cancer and Reproductive Harm
www.P65Warnings.ca.gov

Top View

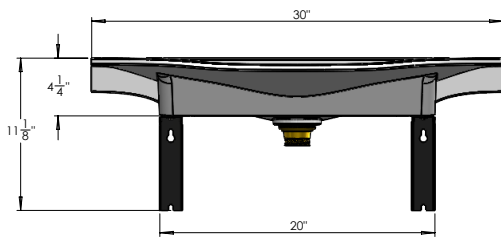


SLW01-30-A/B/BE

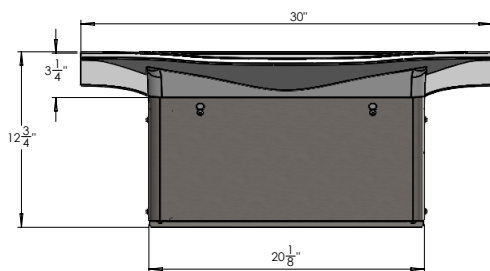


SLW01-60-A/B/BE

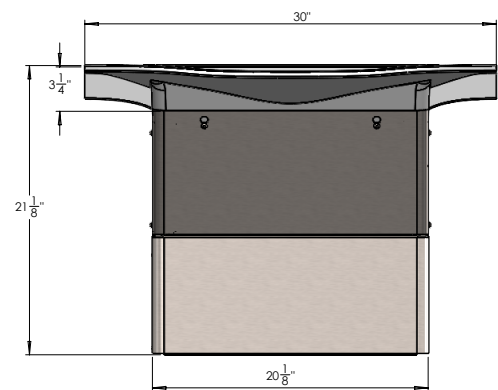
Front View



A-model (no skirt)

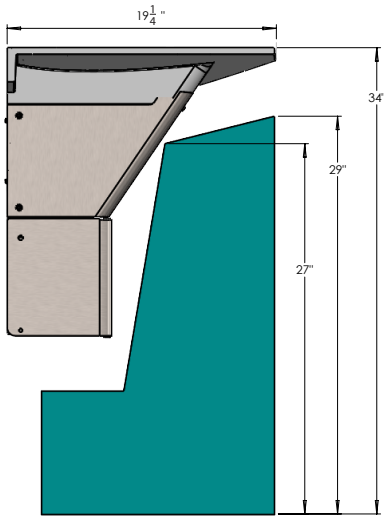


B-model (standard skirt)

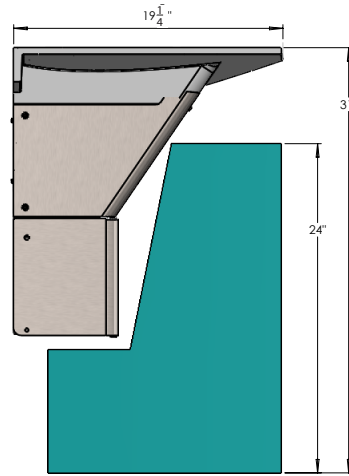


BE-model (extended skirt)

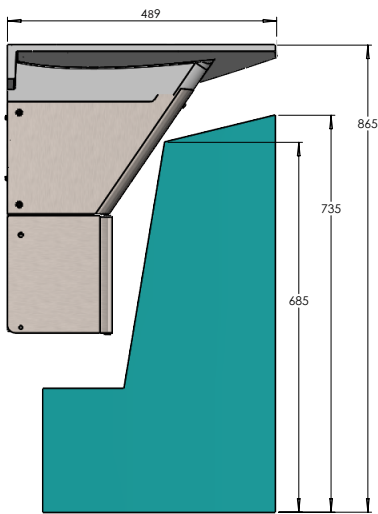
Side View



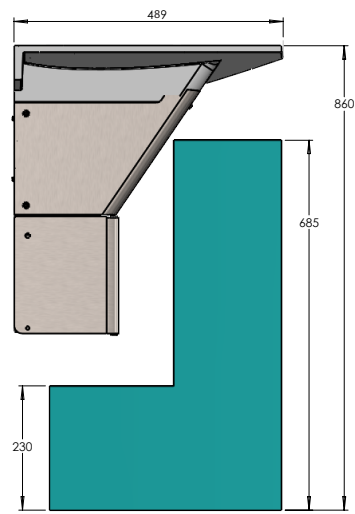
ADA, TAS
All Models



ADA - Juvenile Height
All Models

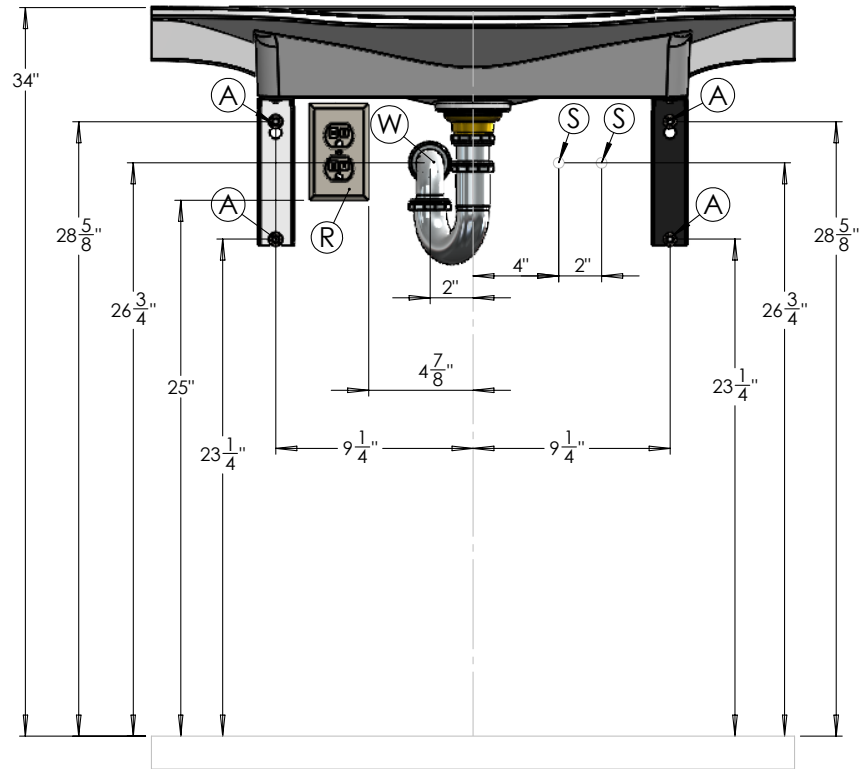


Alberta, BC, Québec
All Models



CSA/ASC B651:23
All Models

Rough-In Dimensions - Model A



Notes:

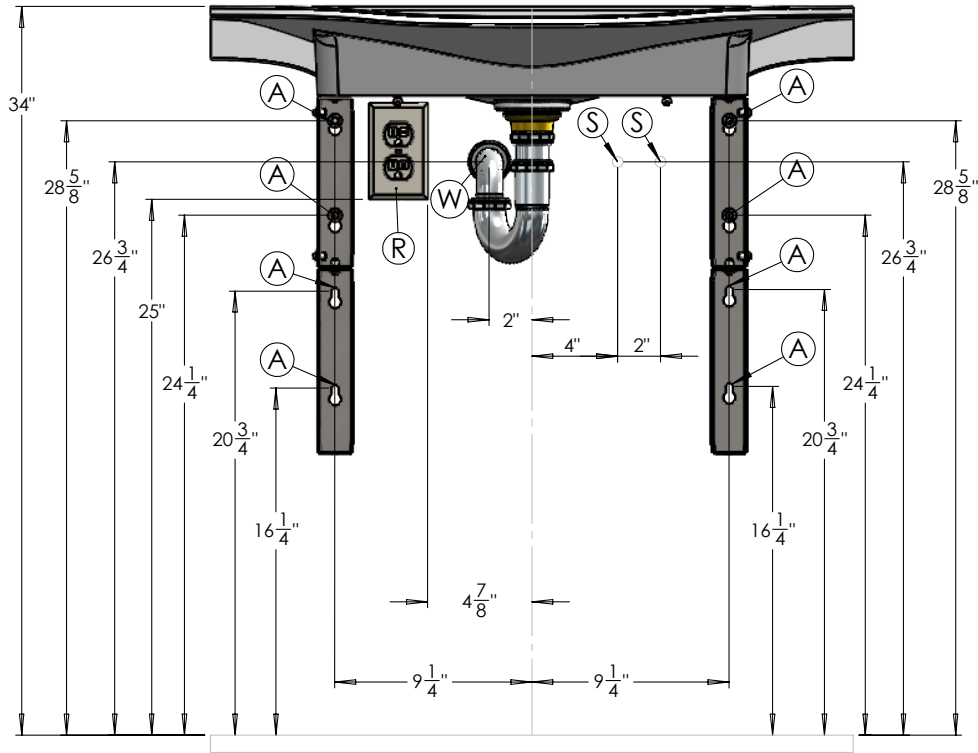
1. Electrical receptacle must be wired to a GFCI protected circuit. Fixture must be earth grounded.
2. Consult local electrical code for need and use of extra electrical conduit box.
3. All height measurements are measured from the FINISHED floor.

Code	Description
A	1/4" Anchors for support brackets with a pull out strength of min. 1000 lbs.
W	1-1/4" NPT Drain, stub out 2"
S	1/2" copper tubing for hot & cold supplies, stub out 2"
R	110V GFCI Outlet

Height Adjustments

Standard	Rim Height	Adjustment of height for A, B, W, S & R
ADA & TAS Adult	34"	None
ADA Juvenile, Ages 6-12	31"	Subtract 3" to height in drawing
TAS, Grades 6 through 8 or 9	32"	Subtract 2" to height in drawing
TAS, Pre-K through Grades 5 or 6	30"	Subtract 4" to height in drawing

Rough-In Dimensions - Model B and BE



Notes:

1. Electrical receptacle must be wired to a GFCI protected circuit. Fixture must be earth grounded.
2. Consult local electrical code for need and use of extra electrical conduit box.
3. All height measurements are measured from the FINISHED floor.

Code	Description
A	1/4" Anchors for support brackets with a pull out strength of min. 1000 lbs.
W	1-1/4" NPT Drain, stub out 2"
S	1/2" copper tubing for hot & cold supplies, stub out 2"
R	110V GFCI Outlet

Height Adjustments

Standard	Rim Height	Adjustment of height for A, B, W, S & R
ADA & TAS Adult	34"	None
ADA Juvenile, Ages 6-12	31"	Subtract 3" to height in drawing
TAS, Grades 6 through 8 or 9	32"	Subtract 2" to height in drawing
TAS, Pre-K through Grades 5 or 6	30"	Subtract 4" to height in drawing

001 Base Model Number (must specify)		
<input type="checkbox"/>	SLW01	Single User Streamlav Wing Lavatory System
002 Length of Lavatory (must specify)		
<input type="checkbox"/>	-30	30" Length
<input type="checkbox"/>	-60	60" Length
<input type="checkbox"/>	-CUST	Custom Length
003 Skirt (must specify)		
<input type="checkbox"/>	-A	No Skirt
<input type="checkbox"/>	-B	Standard Stainless Steel Skirt
<input type="checkbox"/>	-BE	Extended Stainless Steel Skirt
004 Operation (must specify)		
<input type="checkbox"/>	-L12	Line 12 Sensor Faucet
<input type="checkbox"/>	-L13	Line 13 Sensor Faucet
<input type="checkbox"/>	-L14	Line 14 Sensor Faucet
<input type="checkbox"/>	-OMW	Omnia Sensor Faucet
<input type="checkbox"/>	-OML	Omnia Water & Soap Sensor Faucet
<input type="checkbox"/>	-L70	Line 70 Pushbutton Faucet
<input type="checkbox"/>	-DEK	No Faucet (specify faucet that will be used)
005 Supply (must specify)		
<input type="checkbox"/>	-TEM	Tempered or Cold Water
<input type="checkbox"/>	-TMV	Thermostatic Mixing Valve
006 Color (must specify)		
<u>Standard Colors</u>		
<input type="checkbox"/>	-AB	Adobe Brown
<input type="checkbox"/>	-AW	Ash White
<input type="checkbox"/>	-BF	Black Forrest
<input type="checkbox"/>	-ES	Egyptian Sand
<input type="checkbox"/>	-MB	Midnight Blue
<input type="checkbox"/>	-MG	Misty Grey
<input type="checkbox"/>	-PB	Pearl Black
<input type="checkbox"/>	-PW	Polar White
<input type="checkbox"/>	-SA	Sandstone
<input type="checkbox"/>	-TG	Twilight Grey
<u>Designer Colors</u>		
<input type="checkbox"/>	-BB	Belgian Blue
<input type="checkbox"/>	-MQ	Montreal Quartz
<input type="checkbox"/>	-PS	Paris Stone
<input type="checkbox"/>	-SR	Sydney Rock Oyster
007 Soap (for -A & -BE models only)		
<input type="checkbox"/>	-SD12	Line 12 Soap Dispenser
<input type="checkbox"/>	-SD12TF	Line 12 Soap Dispenser with Top Fill Option
008 Other Options		
<input type="checkbox"/>	-AMSS	Anti-microbial Solid Surface
<input type="checkbox"/>	-CS	Hole Drilling for Center Set Faucets
<input type="checkbox"/>	-4C	Hole Drilling for 4" Center Faucets
<input type="checkbox"/>	-8C	Hole Drilling for 8" Center Faucets
<input type="checkbox"/>	-RD	Rounded Corners
<input type="checkbox"/>	-TCRL	Round Opening For Trash On Left Wing
<input type="checkbox"/>	-TCRR	Round Opening For Trash On Right Wing
<input type="checkbox"/>	-TCSL	Square Opening For Trash On Left Wing
<input type="checkbox"/>	-TCSR	Square Opening For Trash On Right Wing

Approved by:

Name: _____

Title: _____

Signature: _____

Date: _____

All information including dimensions, changes in design and material are subject to manufacturer's change without formal notice and without obligation. AquaDesign assumes no responsibility for use of superseded or voided information. Verify all rough-in information before installation. It is the responsibility of the installer to conform with local and national codes.