



Streamlav Wing Rx

SLW01RX

Single User Lavatory System

Dimensions	Water Use	Certifications	Technical	Barrier Free
30" to 60" x 20" x 13 ^{3/4} "	See faucet spec	 IAPMO Z124-2011 CSA B45.5-11 IAPMO IGC156 ASME A112.18.2-2011 CSA B125.2-11	Drain: 1½" Supplies: ½"	ADA TAS Alberta Building Code

Material & Construction

The innovative bowl is made from solid surface. Solid surface is a composite material of acrylic polyester polymer resins and aluminum trihydrate fillers. The material is resistant to stains and burns and complies with ANSI Z124.3. Solid surface cleans easily with Scotchbrite®, household cleaners or fine grit sandpaper.

Standard Equipment

Countertop in solid surface material, steel mounting brackets, tail piece & stainless steel powder coated skirt.

Optional Equipment

The Streamlav Wing can be supplied with AquaDesign's ADM21 faucet or can be drilled for faucets by others.

When choosing faucets by others try to minimize splashing by choosing faucets that are less than 4.5" in height (base faucet to aerator bottom). Aerators with a spray pattern are preferably 0.38 GPM or less, laminar or aerated aerators are preferably 0.5 GPM or less.

The Streamlav Wing bowl can be manufactured with an optional anti-microbial agent. The agent is present both on the surface and on the inside of the material and will not dissipate or scratch off. In contact with moisture, anti-microbial ions will be released and effectively kill bacteria.

Configurations

The Streamlav Wing can be supplied with custom length side wings. The length of either the left or right side wing can vary between 0" and 15" (with 1" increments).

As an alternate the Streamlav wing can be supplied with rounded corners.

Application



The Streamlav Wing is intended for handwashing only. It is not to be used to dispense water for human consumption either by drinking or use in the preparation of food or beverages.

Installation



The Streamlav Wing Rx will get the most ligature resistant features when installed in an alcove or installed against at least 2 perpendicular walls. Installing the fixtures with no wall on either side will increase the risk of ligature considerably.

Warranty

Warranty: 5 years limited warranty on material and 1 year limited warranty on components.

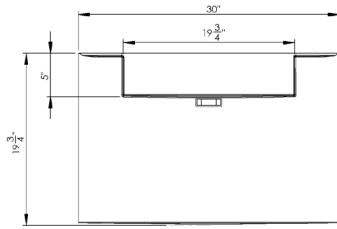
SAMPLE SPECIFICATION

Fixture shall be AquaDesign Streamlav Wing Rx single user hand wash station. Countertop is made from (anti-microbial) solid surface. The unit will have a powder coated stainless steel skirt. The unit will be xx (30" to 60") long.

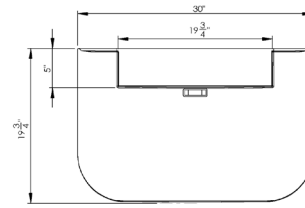


WARNING: Cancer and Reproductive Harm
www.P65Warnings.ca.gov

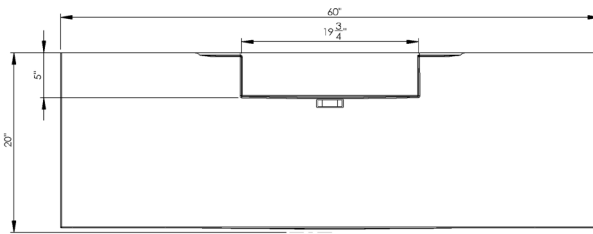
Top Views



SLW01RX-L00R00

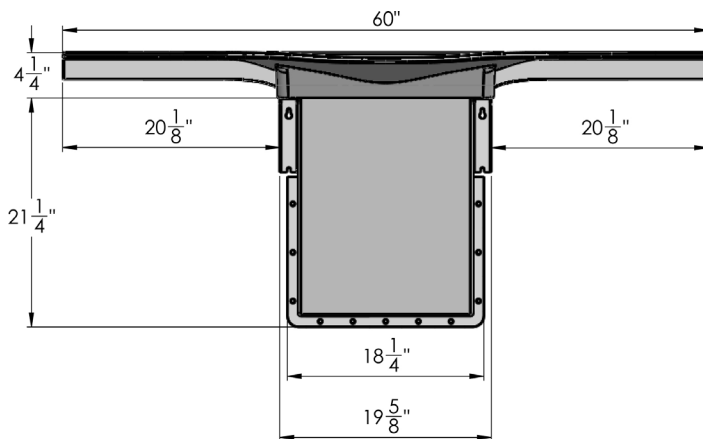


SLW01RX-L00R00-RD

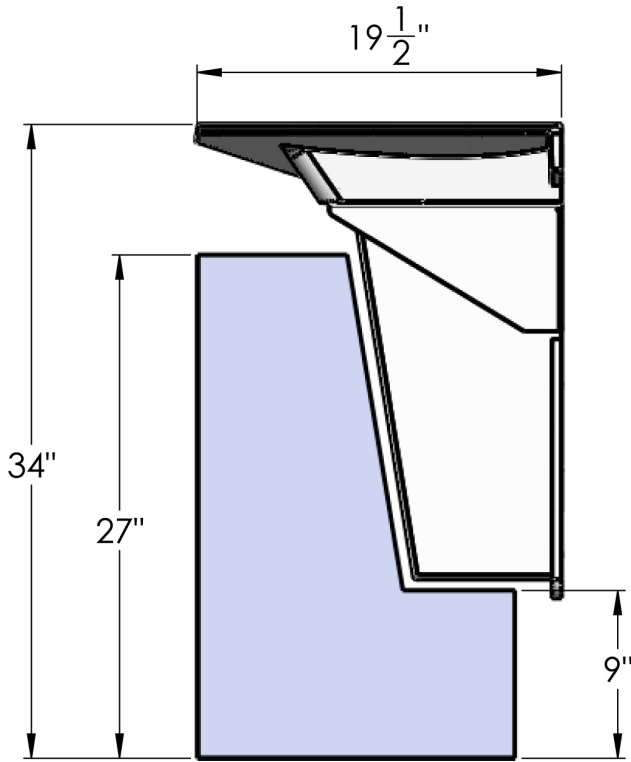


SLW01RX-L15R15

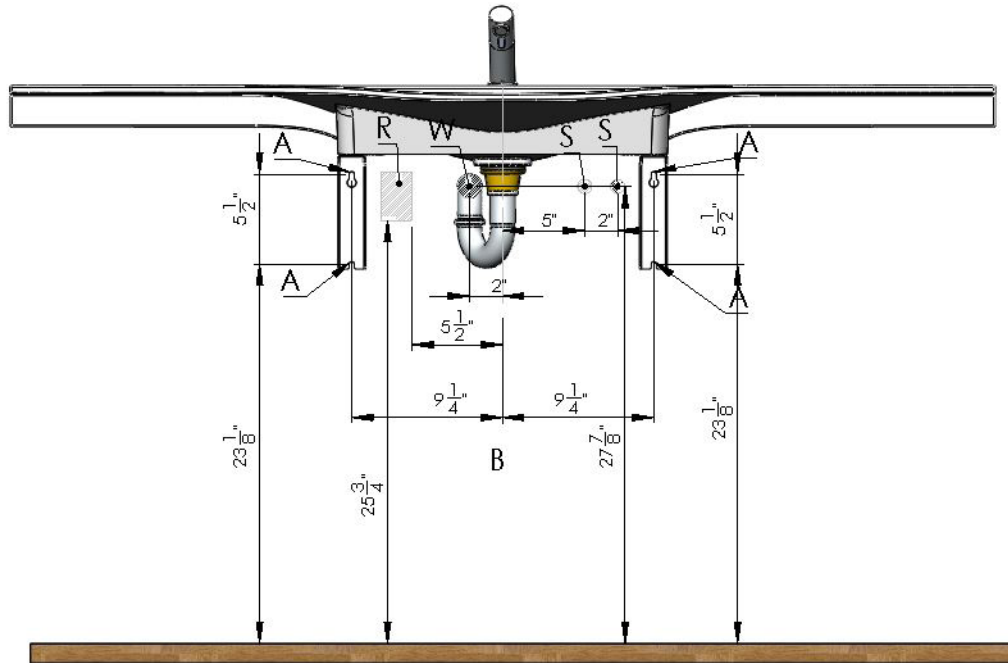
Front View



Side View Standard Height



Rough-In Dimensions



Code	Description
A	3/8" Anchors
R	110V GFCI Outlet
W	1-1/2" NPT Drain
S	1/2" Supply (hot and cold)

Notes:

1. Electrical receptacle must be wired to a GFCI protected circuit. Fixture must be earth grounded.
2. Consult local electrical code for need and use of extra electrical conduit box.
3. All height dimensions are measured from the FINISHED floor

Height Adjustments

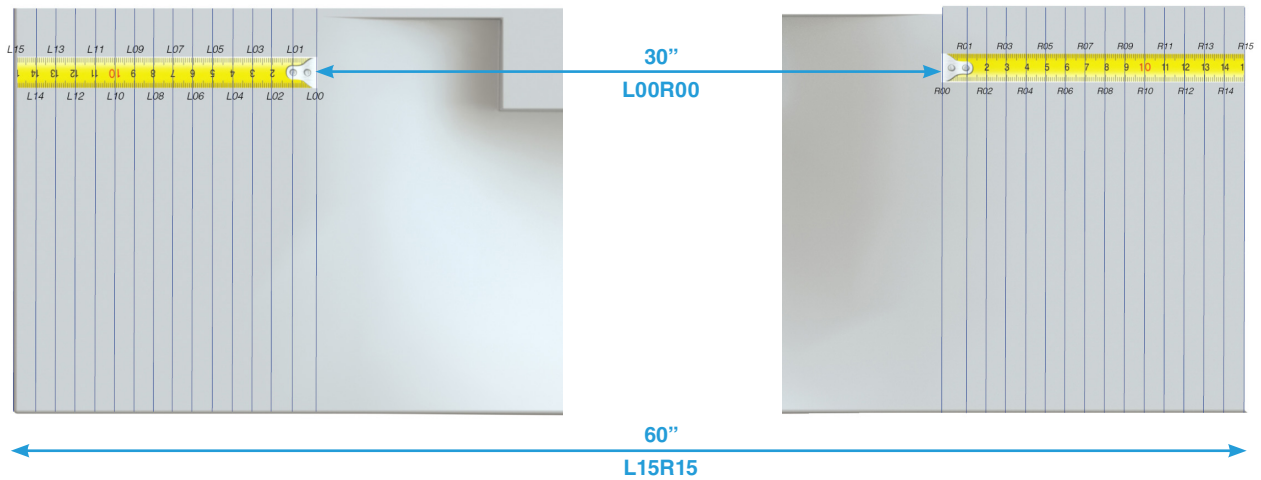
Standard	Rim Height	Adjustment of A, B & W
ADA & TAS Adult	34"	None
ADA Juvenile, Age 6-12	31"	Subtract 3" from height in drawing
TAS, Grades 6 through 8 or 9	32"	Subtract 2" from height in drawing
TAS, Grades Pre-K through Grades 5 or 6	30"	Subtract 4" from height in drawing

How to Choose Your Custom Length?

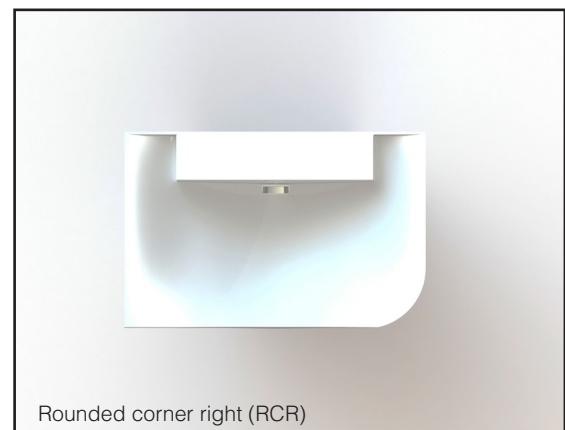
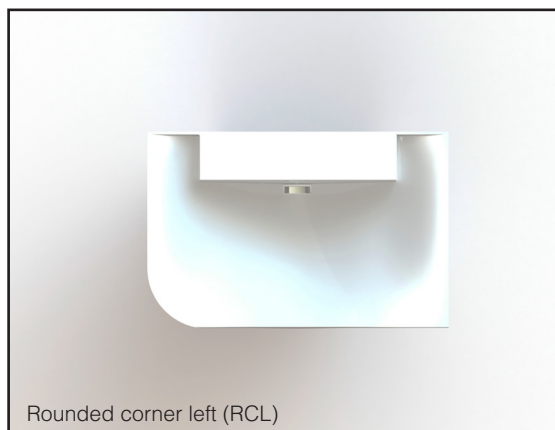
The standard length of the Streamlav Wing is 30". This is the L00R00-model.



The length of the Wing can be increased with 15" on each side. The length you wish to add to the left and right side of the lavatory will define the values for Lxx and Rxx.



Optional Rounded Corners



001	Base Model Number (must specify)
<input type="checkbox"/>	SLW01RX Single User Streamlav Wing Lavatory System
002	Length of Lavatory (must specify)
<input type="checkbox"/>	-L <input type="text"/> <input type="text"/> Length to be added on Left Side
<input type="checkbox"/>	-R <input type="text"/> <input type="text"/> Length to be added on Right Side
003	Skirt (must specify)
<input type="checkbox"/>	-C Stainless Steel White Powder Coated Skirt
004	Operation (must specify)
<input type="checkbox"/>	-ADM21 Anti-Ligature Sensor Faucet
<input type="checkbox"/>	-DEK No Faucets
005	Supply (must specify with faucets)
<input type="checkbox"/>	-TEM Tempered or Cold Water
<input type="checkbox"/>	-TMV Thermostatic Mixing Valve
006	Color (must specify)
<input type="checkbox"/>	-PW Polar White
007	Anti-Microbial Solid Surface
<input type="checkbox"/>	-AMSS Anti-Microbial Agent in Countertop
<input type="checkbox"/>	-RCL Rounded Corner Left
<input type="checkbox"/>	-RCR Rounded Corner Right

Approved by:

Name: _____

Title: _____

Signature: _____

Date: _____

In the absence of a legal or industry definition of anti-ligature or ligature resistant products, when we use these terms, we are referring to products that are designed and manufactured with the intention of reducing the risk of ligature attachment to the product(s). AquaDesign Manufacturing will always endeavour to design and test our anti-ligature product(s) to reduce the risk of product ligature attachment that may result in serious injury or death. Whilst all reasonable measures are taken at the time of design, the anti-ligature design of the products are not intended to and will not:

- a. Replace protective measures that need to be taken in the specific circumstances of usage;
- b. Substitute the need for supervision of those who may be at risk;
- c. Protect and or prevent those at risk against any self-harm instances that may occur when installed; and
- d. Protect and or prevent injury when the risks where unknown to us at the time of the design of the product(s).

AquaDesign Manufacturing does not offer and does not represent or warrant that any product(s) for sale that are ligature-free. Therefore, AquaDesign Manufacturing will not be liable for any claims, loss, or damages arising from ligature attachment on our products. It is the purchaser's responsibility to ensure that products purchased and installed are suitable for the environments in which they are installed, and suitable supervision and protective measures are in place to protect those at risk.

Whilst all reasonable care has been taken in compiling the information in this document, the designs, dimensions and products shown are indicative only and should not be relied upon without our prior approval. Due to our policy of continuous development, we reserve the right to alter any details of specifications or products without notice. All information, drawings, technical specifications and product designs remains the property of AquaDesign Manufacturing.

All information including dimensions, changes in design and material are subject to manufacturer's change without formal notice and without obligation. AquaDesign assumes no responsibility for use of superseded or voided information. Verify all rough-in information before installation. It is the responsibility of the installer to conform with local and national codes.