



# Streamlav Wing

SLW03

## Three User Lavatory System

| Dimensions   | Water Use         | Certifications   | Technical   | Barrier Free  |
|--|-------------------|--|---|---|
| 30" to 60" x 19 <sup>1/4</sup> " x 13 <sup>3/4</sup> " | 0.35 gpm/ 0.5 gpm | <br>IAPMO Z124-2011<br>CSA B45.5-11<br>IAPMO IGC156<br>ASME A112.18.2-2011<br>CSA B125.2-11 | Drain: 1 1/2"<br>Supplies: 1/2" IPS<br>Inlet Pressure: 20-100 psi | ADA<br>TAS<br>Alberta Building Code<br>Ontario Barrier Free<br>BC Building Code<br>Code Construction Québec |

### Material & Construction

The innovative bowl is made from solid surface. Solid surface is a composite material of acrylic polyester polymer resins and aluminum trihydrate fillers. The material is resistant to stains and burns and complies with ANSI Z124.3. Solid surface cleans easily with Scotchbrite®, household cleaners or fine grit sandpaper. The Streamlav Wing includes heavy gauge steel powder coated support brackets.

The Streamlav Wing is supplied with one stainless steel strainer (and optional overflow) per bowl. The fixture is supplied with a brass p-trap. If faucets are supplied it comes with a PEX supply manifold.

### Anti-microbial

The Streamlav Wing bowl can be manufactured with an anti-microbial agent. The agent will be present both on the surface and on the inside of the material and will not dissipate or scratch off. In contact with moisture, anti-microbial ions will be released and effectively kill bacteria.

### Standard Equipment

Countertop in anti-bacterial solid surface material, steel mounting bracket, tail piece & stainless strainer (Model -A)

### Optional Equipment

The Streamlav Wing can be supplied with a stainless steel skirt assembly (Model -B). An extended skirt is also available (Model -BE).

The Streamlav Wing can be supplied with any of AquaDesign's faucets or can be drilled for faucets by others.

When choosing faucets by others try to minimize splashing by choosing faucets that are less than 4.5" in height (base faucet to aerator bottom). Aerators with a spray pattern are preferably 0.38 GPM or less, laminar or aerated aerators are preferably 0.5 GPM or less.

### Configurations

The Streamlav Wing can be supplied in custom lengths. The length of either the left or right side can be increased up to 15" (with 1" increments).

As an alternate the Streamlav wing can be supplied with rounded corners.

### LEED Compliance

The Streamlav Wing® contributes to meeting LEED requirements in the following categories:

- WEp1 - Water Efficiency
- WEc3 - Water Use Reduction

AquaDesign's faucets have a standard water usage of 0.35 gpm.

### Application



The Streamlav Wing is intended for handwashing only. It is not to be used to dispense water for human consumption either by drinking or use in the preparation of food or beverages.

### Warranty

Warranty: 5 years limited warranty on material and 1 year limited warranty on components.

### SAMPLE SPECIFICATION

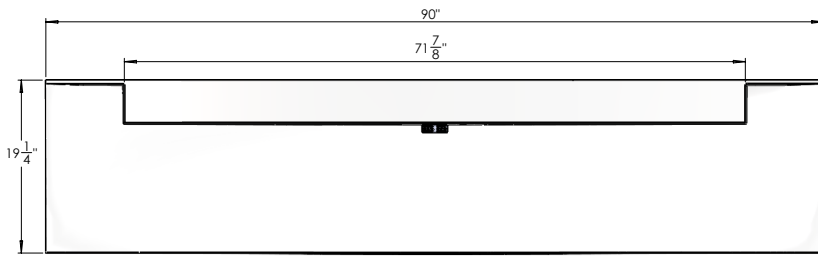
Fixture shall be AquaDesign Streamlav Wing three user hand wash station. Countertop is made from anti-microbial solid surface. The unit will have a solid surface drain cover/stainless steel skirt and will have no/an overflow. The unit will be xx (90" to 120") long.

The unit is furnished with a Line12/Line13/Line14/Line70/Omnia faucet.

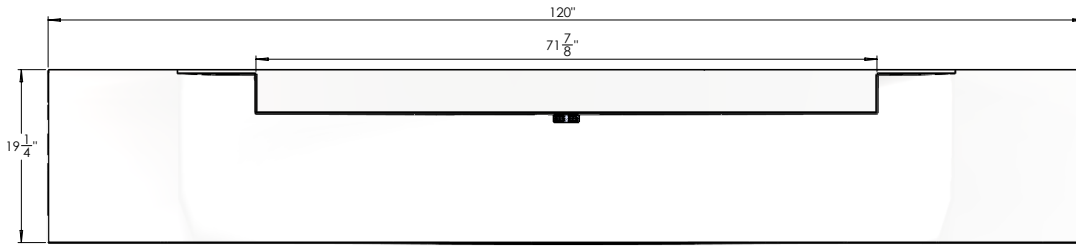


**WARNING:** Cancer and Reproductive Harm  
[www.P65Warnings.ca.gov](http://www.P65Warnings.ca.gov)

Top View

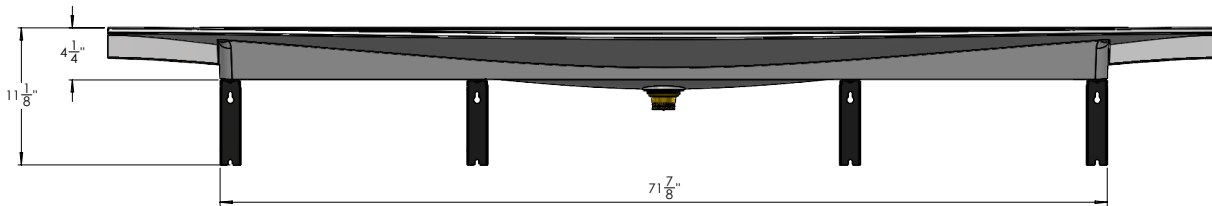


SLW03-A/B/BE-90

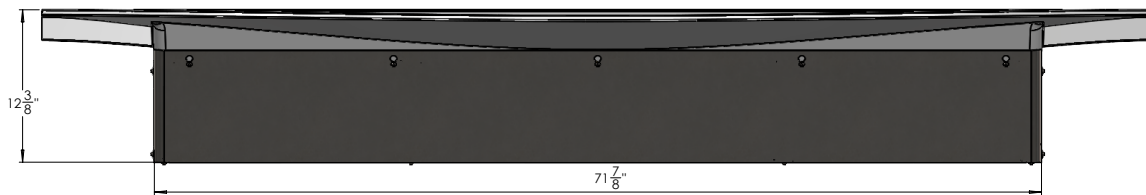


SLW03-A/B/BE-120

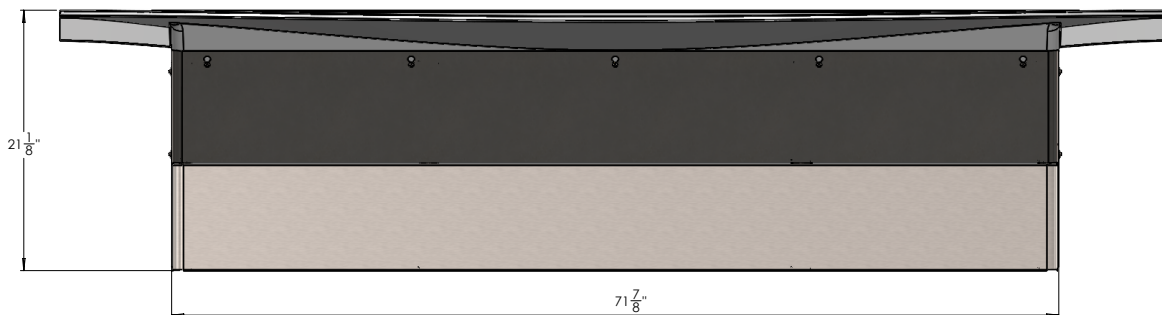
Front View



A-model (no skirt)

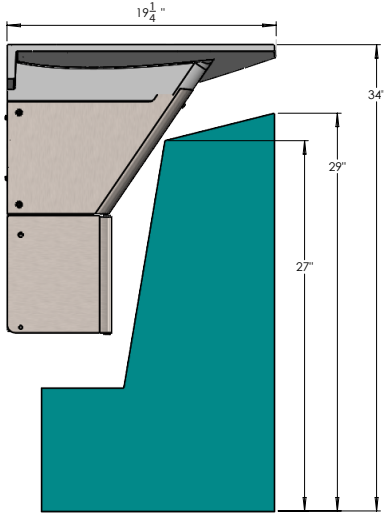


B-model (standard skirt)

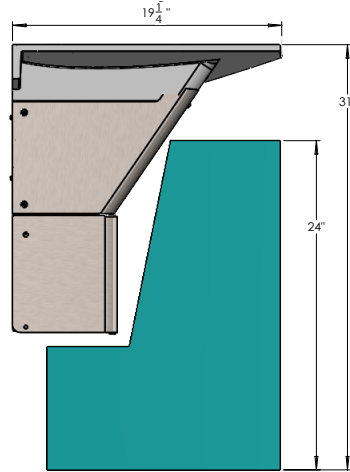


BE-model (extended skirt)

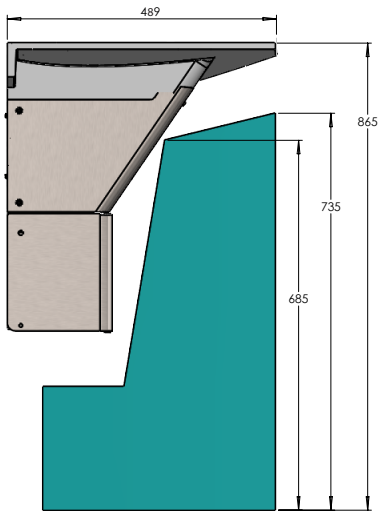
Side View



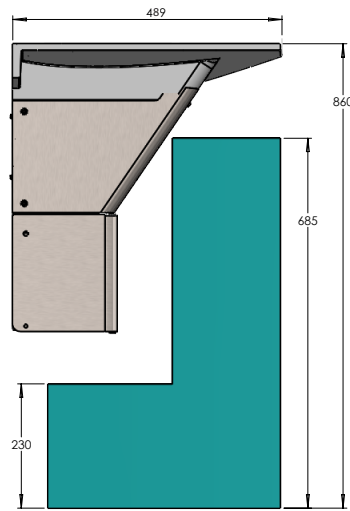
ADA, TAS  
All Models



ADA - Juvenile Height  
All Models

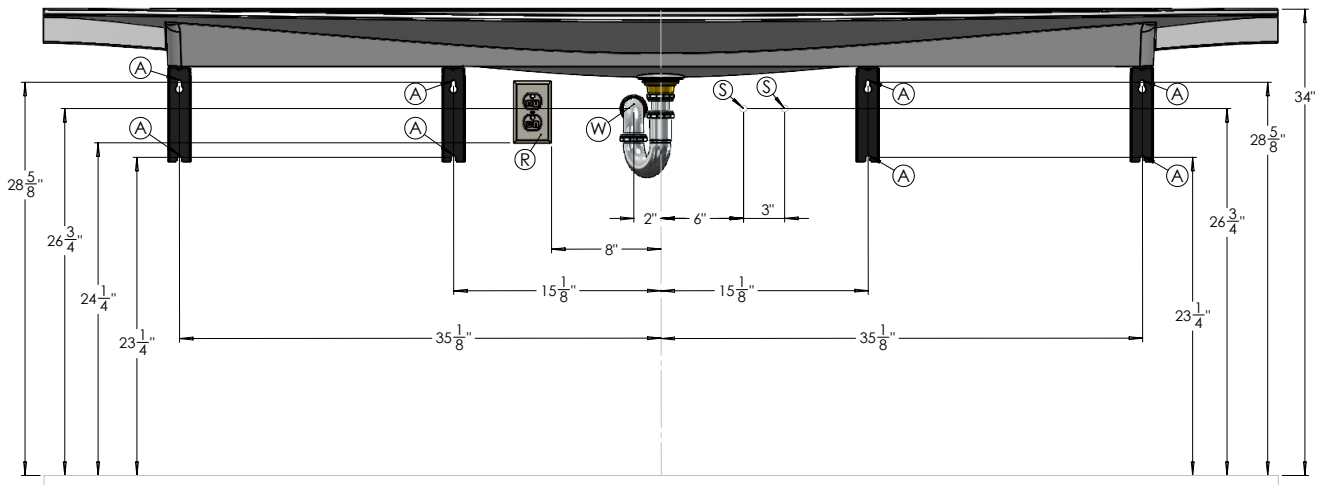


Alberta, BC, Québec  
All Models



CSA/ASC B651:23  
All Models

Rough-In Dimensions - Model A



Notes:

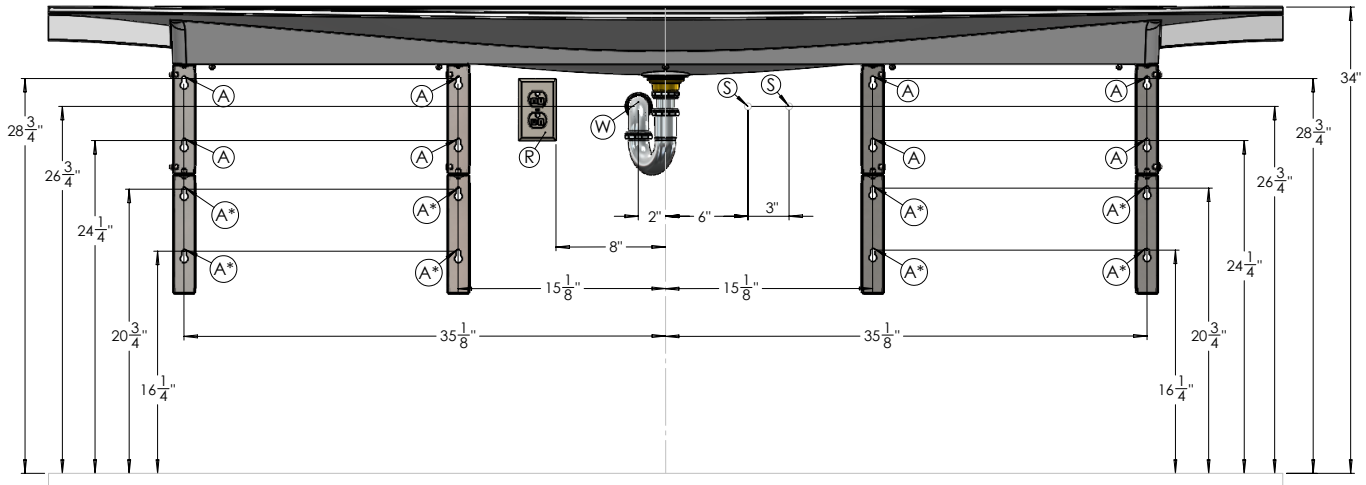
1. Electrical receptacle must be wired to a GFCI protected circuit. Fixture must be earth grounded.
2. Consult local electrical code for need and use of extra electrical conduit box.
3. All height measurements are measured from the FINISHED floor.

| Code | Description  |
|------|--|
| A    | 1/4" Anchors for support brackets with a pull out strength of min. 1000 lbs. |
| W    | 1-1/4" NPT Drain, stub out 2"  |
| S    | 1/2" copper tubing for hot & cold supplies, stub out 2"                      |
| R    | 110V GFCI Outlet   |

Height Adjustments

| Standard                         | Rim Height | Adjustment of height for A, B, W, S & R |
|----------------------------------|------------|---|
| ADA & TAS Adult                  | 34"        | None                                    |
| ADA Juvenile, Ages 6-12          | 31"        | Subtract 3" to height in drawing        |
| TAS, Grades 6 through 8 or 9     | 32"        | Subtract 2" to height in drawing        |
| TAS, Pre-K through Grades 5 or 6 | 30"        | Subtract 4" to height in drawing        |

Rough-In Dimensions - Model B/BE



Notes:

1. Electrical receptacle must be wired to a GFCI protected circuit. Fixture must be earth grounded.
2. Consult local electrical code for need and use of extra electrical conduit box.
3. All height measurements are measured from the FINISHED floor.

| Code | Description  |
|------|--|
| A    | 1/4" Anchors for support brackets with a pull out strength of min. 1000 lbs.                       |
| A*   | 1/4" Anchors for support brackets (Extended Skirt Only) with a pull out strength of min. 1000 lbs. |
| W    | 1-1/4" NPT Drain, stub out 2"  |
| S    | 1/2" copper tubing for hot & cold supplies, stub out 2"  |
| R    | 110V GFCI Outlet   |

Height Adjustments

| Standard                         | Rim Height | Adjustment of height for A, B, W, S & R |
|----------------------------------|------------|---|
| ADA & TAS Adult                  | 34"        | None                                    |
| ADA Juvenile, Ages 6-12          | 31"        | Subtract 3" to height in drawing        |
| TAS, Grades 6 through 8 or 9     | 32"        | Subtract 2" to height in drawing        |
| TAS, Pre-K through Grades 5 or 6 | 30"        | Subtract 4" to height in drawing        |

|  |         |  |
|--|---------|--|
| <b>001 Base Model Number (must specify)</b>    |         |  |
| <input type="checkbox"/>                       | SLW03   | Three User Streamlav Wing Lavatory System    |
| <b>002 Length of Lavatory (must specify)</b>   |         |  |
| <input type="checkbox"/>                       | -30     | 90" Length                                   |
| <input type="checkbox"/>                       | -60     | 120" Length                                  |
| <input type="checkbox"/>                       | -CUST   | Custom Length                                |
| <b>003 Skirt (must specify)</b>                |         |  |
| <input type="checkbox"/>                       | -A      | No Skirt                                     |
| <input type="checkbox"/>                       | -B      | Standard Stainless Steel Skirt               |
| <input type="checkbox"/>                       | -BE     | Extended Stainless Steel Skirt               |
| <b>004 Operation (must specify)</b>            |         |  |
| <input type="checkbox"/>                       | -L12    | Line 12 Sensor Faucet                        |
| <input type="checkbox"/>                       | -L13    | Line 13 Sensor Faucet                        |
| <input type="checkbox"/>                       | -L14    | Line 14 Sensor Faucet                        |
| <input type="checkbox"/>                       | -OMW    | Omnia Sensor Faucet                          |
| <input type="checkbox"/>                       | -OML    | Omnia Water & Soap Sensor Faucet             |
| <input type="checkbox"/>                       | -L70    | Line 70 Pushbutton Faucet                    |
| <input type="checkbox"/>                       | -DEK    | No Faucet (specify faucet that will be used) |
| <b>005 Supply (must specify)</b>               |         |  |
| <input type="checkbox"/>                       | -TEM    | Tempered or Cold Water                       |
| <input type="checkbox"/>                       | -TMV    | Thermostatic Mixing Valve                    |
| <b>006 Color (must specify)</b>                |         |  |
| <u>Standard Colors</u>                         |         |  |
| <input type="checkbox"/>                       | -AB     | Adobe Brown                                  |
| <input type="checkbox"/>                       | -AW     | Ash White                                    |
| <input type="checkbox"/>                       | -BF     | Black Forrest                                |
| <input type="checkbox"/>                       | -ES     | Egyptian Sand                                |
| <input type="checkbox"/>                       | -MB     | Midnight Blue                                |
| <input type="checkbox"/>                       | -MG     | Misty Grey                                   |
| <input type="checkbox"/>                       | -PB     | Pearl Black                                  |
| <input type="checkbox"/>                       | -PW     | Polar White                                  |
| <input type="checkbox"/>                       | -SA     | Sandstone                                    |
| <input type="checkbox"/>                       | -TG     | Twilight Grey                                |
| <u>Designer Colors</u>                         |         |  |
| <input type="checkbox"/>                       | -BB     | Belgian Blue                                 |
| <input type="checkbox"/>                       | -MQ     | Montreal Quartz                              |
| <input type="checkbox"/>                       | -PS     | Paris Stone                                  |
| <input type="checkbox"/>                       | -SR     | Sydney Rock Oyster                           |
| <b>007 Soap (for -A &amp; -BE models only)</b> |         |  |
| <input type="checkbox"/>                       | -SD12   | Line 12 Soap Dispenser                       |
| <input type="checkbox"/>                       | -SD12TF | Line 12 Soap Dispenser with Top Fill Option  |
| <b>008 Other Options</b>                       |         |  |
| <input type="checkbox"/>                       | -AMSS   | Anti-microbial Solid Surface                 |
| <input type="checkbox"/>                       | -CS     | Hole Drilling for Center Set Faucets         |
| <input type="checkbox"/>                       | -4C     | Hole Drilling for 4" Center Faucets          |
| <input type="checkbox"/>                       | -8C     | Hole Drilling for 8" Center Faucets          |
| <input type="checkbox"/>                       | -RD     | Rounded Corners                              |
| <input type="checkbox"/>                       | -TCRL   | Round Opening For Trash On Left Wing         |
| <input type="checkbox"/>                       | -TCRR   | Round Opening For Trash On Right Wing        |
| <input type="checkbox"/>                       | -TCSL   | Square Opening For Trash On Left Wing        |
| <input type="checkbox"/>                       | -TCSR   | Square Opening For Trash On Right Wing       |

Approved by:

Name: \_\_\_\_\_

Title: \_\_\_\_\_

Signature: \_\_\_\_\_

Date: \_\_\_\_\_

All information including dimensions, changes in design and material are subject to manufacturer's change without formal notice and without obligation. AquaDesign assumes no responsibility for use of superseded or voided information. Verify all rough-in information before installation. It is the responsibility of the installer to conform with local and national codes.