



# Ceiling Shower Head

SNC01

## Ligature Resistant Shower Head

Dimensions	Technical	Materials	Accessibility
Ø 5 1/8"	Inlet: 1/2" Flow Rate: 1.5 gpm Max. Operating Temp: 185°F	Construction: Stainless Steel	Compliant

### Description

The SNC ceiling mounted shower nozzle is a anti-ligature vandal resistant stainless steel shower nozzle. All shower head positions can be accommodated.

The SNC range is extremely tough, being made from the highest grade stainless steel materials, this makes it ideal for the Healthcare and Secure Environments where anti-ligature and anti-vandal sanitary ware may be preferred. Water is activated by dual electronic piezo touch buttons or pneumatic push buttons.

The water is most effectively managed by Wallgate's comprehensive WDC range of electronic controllers which include timed flow, flow regulators and lockout programs.

Thermostatic mixing valves and piezo button activation button are also available.

### Technical Details

- Weight: 1.1 lb (0.5 kg)
- Dimensions: Ø 5-1/8"
- Maximum Operating Water Temperature: +185°F
- Water Supply:
  - Maximum Static Pressure: 29 psi
  - Maximum Operating Pressure: 72 psi
- Supply: 1/2"
- Flow Rate: 1.5 gpm

### Maintenance and Cleaning

The ceiling shower plate is polished stainless steel and can be cleaned using warm soapy water or a stainless-steel cleaner. A suitable limescale remover applied to the manufacturers guidelines is also a safe method for cleaning.

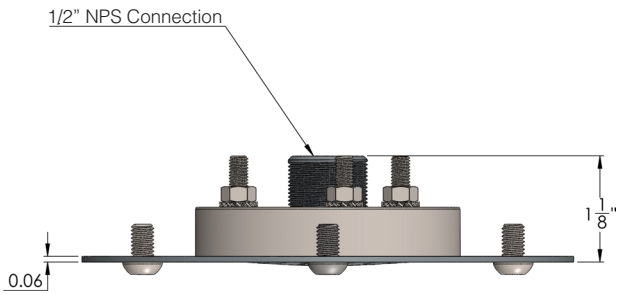
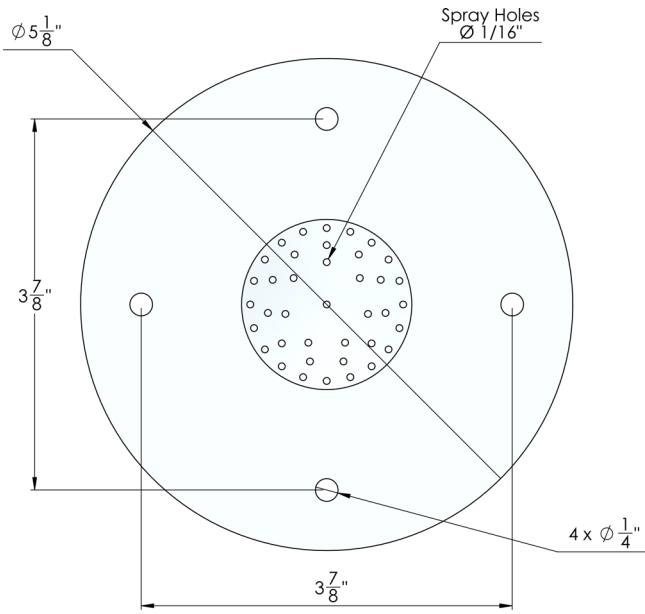
NOTE: Bleach, spray cleaners and abrasive cleaners may damage the surface and internal parts of the shower.

Regular maintenance should be carried out in accordance with the installation and troubleshooting guides provided with the product, relevant standards, local authorities and state codes.

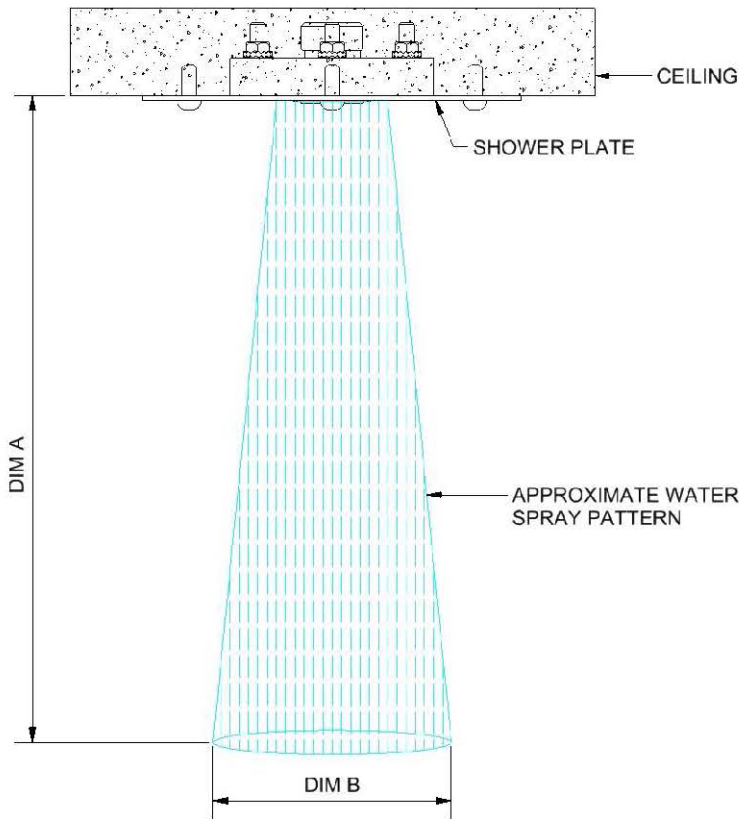


**WARNING:** Cancer and Reproductive Harm  
[www.P65Warnings.ca.gov](http://www.P65Warnings.ca.gov)

Dimensions



Spray Pattern



Shower Model	Pressure (psi)	Flow Rate (gpm)	Dimension A in Feet	Dimension B in Inches
SNC-01	36.26	1.585	2.3	7.87
SNC-01	36.26	1.585	4.92	9.45
SNC-01	36.26	1.585	7.87	13.7
SNC-01	36.26	1.585	8.2	14.17
SNC-01	36.26	1.585	8.86	14.65
SNC-01	36.26	1.585	9.84	14.96
SNC-01	36.26	1.585	13.12	15.75
SNC-01	36.26	2.11	2.3	9.45
SNC-01	36.26	2.11	4.92	11.02
SNC-01	36.26	2.11	7.87	15.28
SNC-01	36.26	2.11	8.2	15.75
SNC-01	36.26	2.11	8.86	16.93
SNC-01	36.26	2.11	9.84	17.72
SNC-01	36.26	2.11	13.12	19.29

001	<b>Base Model Number</b> (must specify)	
<input type="checkbox"/>	SNC01	Ceiling Mounted Shower Head
002	<b>Options</b>	
<input type="checkbox"/>	-MA1972	Box for Panel Ceilings

In the absence of a legal or industry definition of anti-ligature or ligature resistant products, when we use these terms, we are referring to products that are designed and manufactured with the intention of reducing the risk of ligature attachment to the product(s). Wallgate will always endeavour to design and test our anti-ligature product(s) to reduce the risk of product ligature attachment that may result in serious injury or death. Whilst all reasonable measures are taken at the time of design, the anti-ligature design of the products are not intended to and will not:

- a. Replace protective measures that need to be taken in the specific circumstances of usage;
- b. Substitute the need for supervision of those who may be at risk;
- c. Protect and or prevent those at risk against any self-harm instances that may occur when installed; and
- d. Protect and or prevent injury when the risks where unknown to us at the time of the design of the product(s).

Wallgate and PSD LLC do not offer and do not represent or warrant that any product(s) for sale that are ligature-free. Therefore, Wallgate and PSD LLC will not be liable for any claims, loss, or damages arising from ligature attachment on our products. It is the purchaser's responsibility to ensure that products purchased and installed are suitable for the environments in which they are installed, and suitable supervision and protective measures are in place to protect those at risk. Whilst all reasonable care has been taken in compiling the information in this document, the designs, dimensions and products shown are indicative only and should not be relied upon without our prior approval. Due to our policy of continuous development, we reserve the right to alter any details of specifications or products without notice. All information, drawings, technical specifications and product designs remains the property of Wallgate Ltd..