



# SOLIDWAVE ORIGINAL

SWV01

## Single User Lavatory System

Dimensions	Water Use	Certifications	Technical	Barrier Free
30" x 21 <sup>5/8</sup> " x 26 <sup>1/2</sup> "	0.35 gpm / 0.5 gpm	 IAPMO Z124-2011 CSA B45.5-11 IAPMO IGC156 ASME A112.18.2-2011 CSA B125.2-11	Drain: 1 1/2" Supplies: 1/2" IPS Inlet Pressure: 20-100 psi	ADA TAS Alberta Building Code Code Construction Québec

### Material & Construction

The countertop is made from anti-microbial solid surface. Solid surface is a composite material of acrylic polyester polymer resins and aluminum trihydrate fillers. The material is resistant to stains and burns and complies with ANSI Z124.3. Solid surface cleans easily with Scotchbrite®, household cleaners or fine grit sandpaper. Solid surface is available in 15 colors.

The Solidwave includes a heavy 18 gauge steel support frame. The frame is pre-assembled. The front skirt, access panels, and sides are made from 20 gauge type 304 stainless steel.

The Solidwave is supplied with 1 1/2" brass grid strainer.

### Anti-microbial

The Solidwave bowl and sides are manufactured with an anti-microbial agent. The agent is present both on the surface and on the inside of the material and will not dissipate or scratch off. In contact with moisture, anti-microbial ions will be released and effectively kill bacteria.

### Activation & water distribution

Infrared detection is standard (Model#: SWV01-SEN). The system is operated by a 6V lithium battery and reacts to hands in the detection field. As an alternate the unit can be supplied with a plug-in transformer (Option suffix: -HW).

As an alternate the water distribution heads can be equipped with a pushbutton metering valve (Model#: SWV01-INH). The timing of the water is factory preset at 10 seconds.

The Solidwave can also be activated by electronic piezo touch buttons (Model#: SWV01-PZO). A very light touch on the button will open the solenoid valve. The water will flow for 10 seconds and can be shut off before earlier. An automatic flushing cycle that flushes the unit every 24 hrs can be programmed to help prevent the growth of legionnaires' bacteria (Option Suffix: -FC).

As an alternate the Solidwave can be supplied with any of AquaDesign's electronic faucets.

### Lead Free

The wetted surfaces of this product contain no more than 0.25% lead by weighted average when supplied with AquaDesign's electronic water distribution head or with Aquadesign's faucets.

### Optional Equipment

The Solidwave can be supplied with any of AquaDesign's faucets or can be drilled for faucets by others.

### LEED Compliance

The Solidwave® contributes to meeting LEED requirements in the following categories:

- WEp1 - Water Efficiency
- WEc3 - Water Use Reduction

Each nozzle has a flow rate of 0.5 gpm. The water cycle for the pushbutton and piezo operated units lasts 10 seconds dispersing that 0.083 gallons of water per cycle. 0.35 or 0.5 gpm nozzles are standard on AquaDesign's faucets.

### Warranty

Warranty: 5 years limited warranty on material and 1 year limited warranty on components.

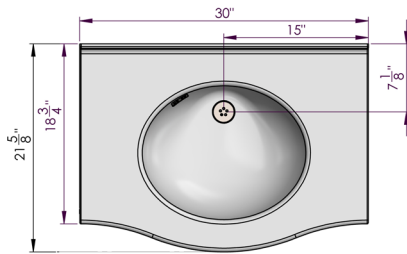
### SAMPLE SPECIFICATION

Fixture shall be AquaDesign Solidwave™ 1-user handwash station (specify model and optional equipment). The bowl and deck is to made from anti-bacterial Solidguard material. The water distribution head shall be polished stainless steel and shall include an infrared detection system (alternate: pushbutton air-controlled metering valve/piezo touch activation/Line12/Line13/Line14/Line70, Omnia), and will be equipped with a thermostatic mixing valve, check valves, 0.5/0.35 gpm vandal resistant nozzle and (optional) hands-free soap system.

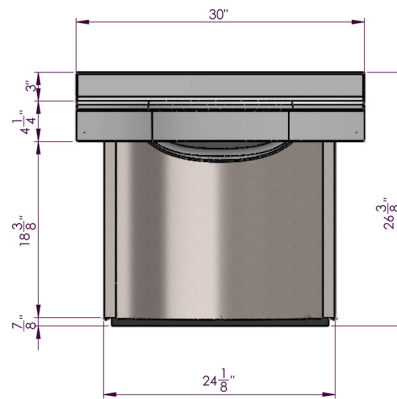


**WARNING:** Cancer and Reproductive Harm  
www.P65Warnings.ca.gov

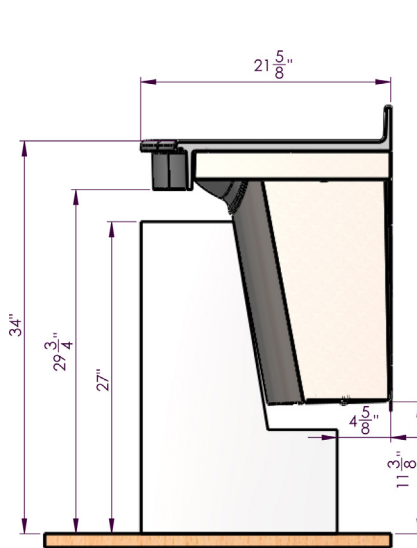
Top View



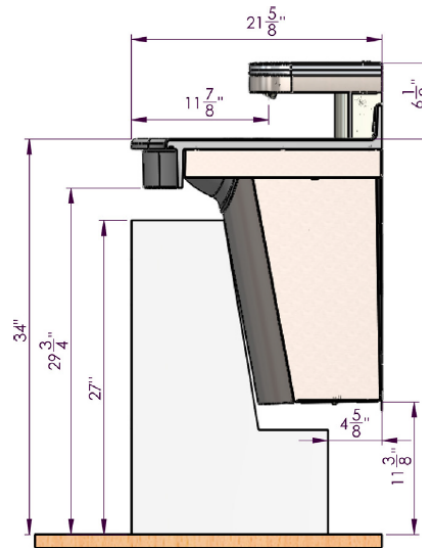
Front View



Side View Standard Height

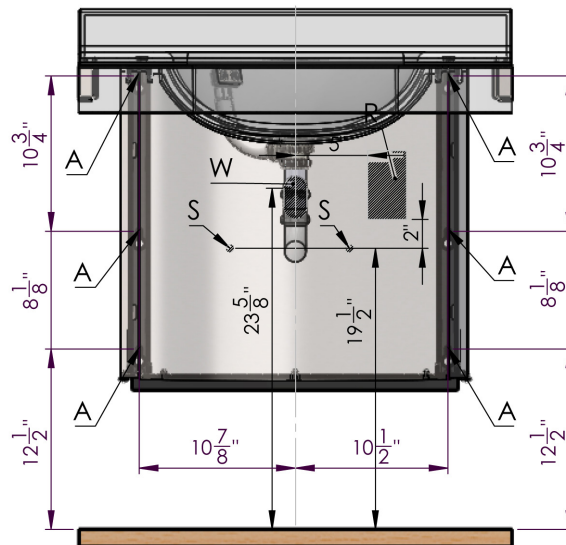


SWV01-DEK



SWV01-SEN/SWV01-INH/SWV01-PZO

## Rough-In Dimensions



**Notes:**

1. Electrical receptacle must be wired to a GFCI protected circuit. Fixture must be earth grounded.
2. Consult local electrical code for need and use of extra electrical conduit box.
3. All height measurements are measured from the FINISHED floor.

Code	Description
A	3/8" Anchors
W	1-1/2" NPT Drain
S	1/2" Hot Water Supply
S	1/2" Cold Water Supply
R	120V Receptacle

## Height Adjustments

Standard	Rim Height	Adjustment of A, B & W
ADA & TAS Adult	34"	None
ADA Juvenile, Age 6-12	31"	Subtract 3" from height in drawing
TAS, Grades 6 through 8 or 9	32"	Subtract 2" from height in drawing
TAS, Grades Pre-K through Grades 5 or 6	30"	Subtract 4" from height in drawing
Alberta Building Code	865 mm	None
Code de Construction Québec	865 mm	Aucune

<b>001</b>	<b>Base Model Number (must specify)</b>	
<input type="checkbox"/>	SWV01	Single User Solidwave Original
<b>002</b>	<b>Operation (must specify)</b>	
<input type="checkbox"/>	-L12	Line 12 Sensor Faucet
<input type="checkbox"/>	-L13	Line 13 Sensor Faucet
<input type="checkbox"/>	-L14	Line 14 Sensor Faucet
<input type="checkbox"/>	-OMW	Omnia Sensor Faucet
<input type="checkbox"/>	-OML	Omnia Water & Soap Sensor Faucet
<input type="checkbox"/>	-L70	Line 70 Pushbutton Faucet
<input type="checkbox"/>	-DEK	No Faucet
<b>003</b>	<b>Soap (must specify)</b>	
<input type="checkbox"/>	-N	No Soap
<input type="checkbox"/>	-L	Liquid Soap for Water Distribution Head
<input type="checkbox"/>	-SD12	Line 12 Soap Dispenser
<b>004</b>	<b>Supply (must specify)</b>	
<input type="checkbox"/>	-TEM	Tempered or Cold Water
<input type="checkbox"/>	-TMV	Thermostatic Mixing Valve
<b>005</b>	<b>Color (must specify)</b>	
	<u>Standard Colors</u>	
<input type="checkbox"/>	-AB	Adobe Brown
<input type="checkbox"/>	-AW	Ash White
<input type="checkbox"/>	-BF	Black Forrest
<input type="checkbox"/>	-CO	Concrete Grey
<input type="checkbox"/>	-ES	Egyptian Sand
<input type="checkbox"/>	-MB	Midnight Blue
<input type="checkbox"/>	-MG	Misty Grey
<input type="checkbox"/>	-PB	Pearl Black
<input type="checkbox"/>	-PW	Polar White
<input type="checkbox"/>	-SA	Sandstone
<input type="checkbox"/>	-TG	Twilight Grey
	<u>Designer Colors</u>	
<input type="checkbox"/>	-BB	Belgian Blue
<input type="checkbox"/>	-MQ	Montreal Quartz
<input type="checkbox"/>	-PS	Paris Stone
<input type="checkbox"/>	-SR	Sydney Rock Oyster
<b>006</b>	<b>Faucet Options</b>	
<input type="checkbox"/>	-HW	Low Voltage Class II Plug-In Transformer (1 per faucet)
<input type="checkbox"/>	-CS	Hole Drilling for Center Set Faucets
<input type="checkbox"/>	-4C	Hole Drilling for 4" Center Faucets
<input type="checkbox"/>	-8C	Hole Drilling for 8" Center Faucets

**Approved by:**

Name: \_\_\_\_\_

Title: \_\_\_\_\_

Signature: \_\_\_\_\_

Date: \_\_\_\_\_

All information including dimensions, changes in design and material are subject to manufacturer's change without formal notice and without obligation. AquaDesign assumes no responsibility for use of superseded or voided information. Verify all rough-in information before installation. It is the responsibility of the installer to conform with local and national codes.