

303070XN/303077XN

Ligature Resistant Floor Drains



303070XN/303077XN

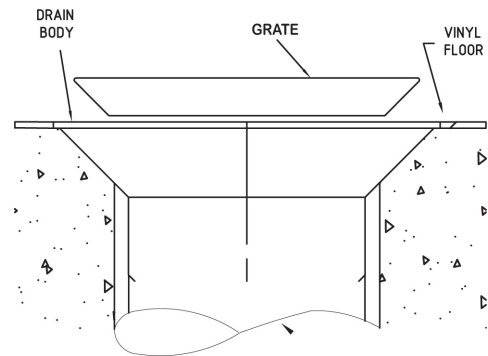
Ligature Resistant Floor Drain

Safe-Cell® Crocodile Roll Resistant (CRR) floor drain has been designed to minimize the risk of self-harm and suicide using a technique called the “Crocodile Roll”. The clever design features also help provide protection against the concealing of contraband.

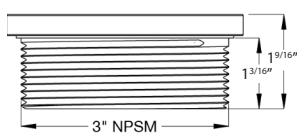
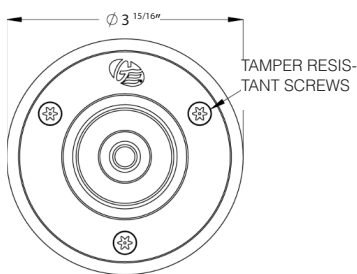
Designed for behavioral healthcare facilities, custodial facilities, prisons, and holding cells to reduce the risk of suicide and self-harm and the hiding of contraband.

Unique dual ring design to maximize drainage of water supply.

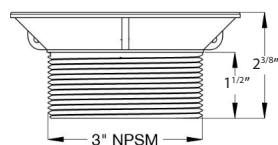
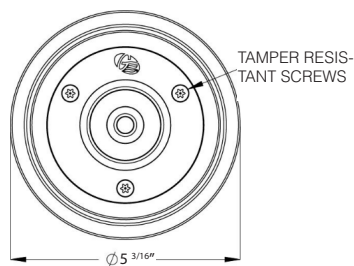
The 303077X is specially designed for vinyl flooring with a lock-down flange to mechanically clamp down the vinyl to increase the longevity of the flooring provided, and reduce any trip hazard in the bathroom environment.



303077XN



303070XN



303077XN

Technical

- Material: 304 stainless steel
- Size: 3" NPSM
- Certification: ASME A112.18.2, CSA B125.2 (2011)
- Drain Capacity:
 - @ 0.79 inH₂O - 7.13 gpm
 - @ 1.18 inH₂O - 7.29 gpm
 - @ 1.57 inH₂O - 8.40 gpm
- Fits Wade 1100, 1120, 1121 and 1140 Series
- Adaptors available for:
 - Josam 30000 Series
 - JR Smith 2000 Series
 - Zurn Z415 Series (US)
 - Watts FD100 Series