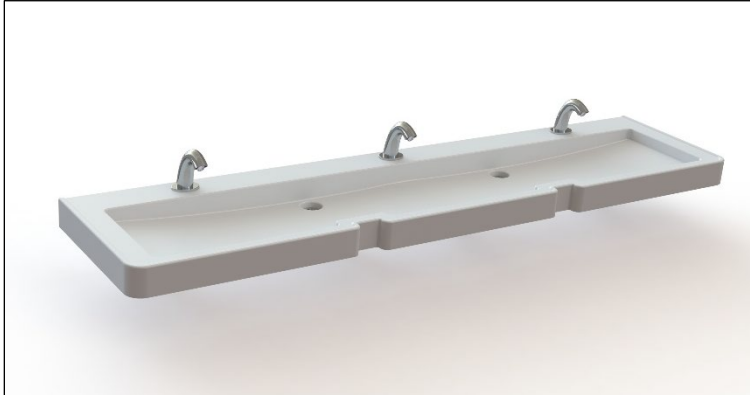


# Installation



Installation Instructions for models:

SL3A

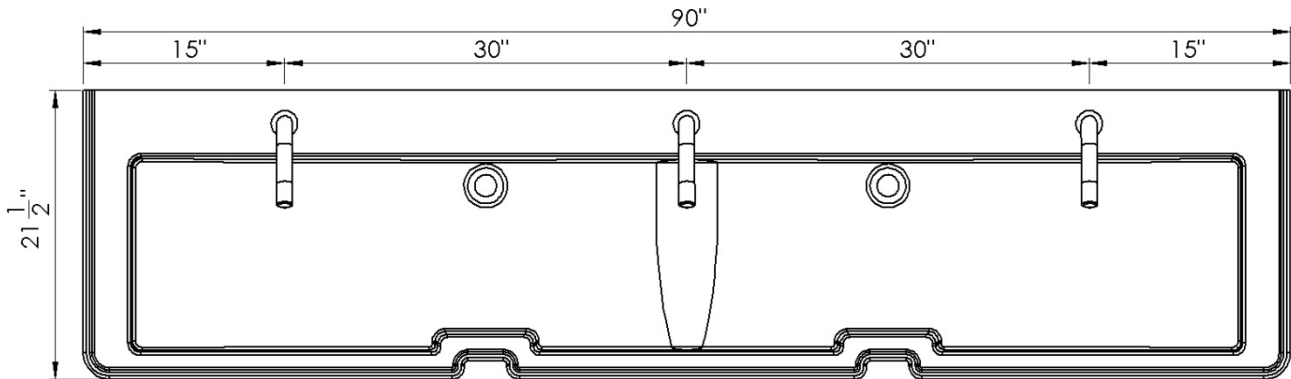
## IMPORTANT

- Read instructions entirely prior to installation.
- Prior to hooking up the fixture to the water supply make sure that all the lines are flushed thoroughly.
- All wall anchors should have a pull out strength of 1000 lbs or more.
- Units should always be installed according to local plumbing codes.

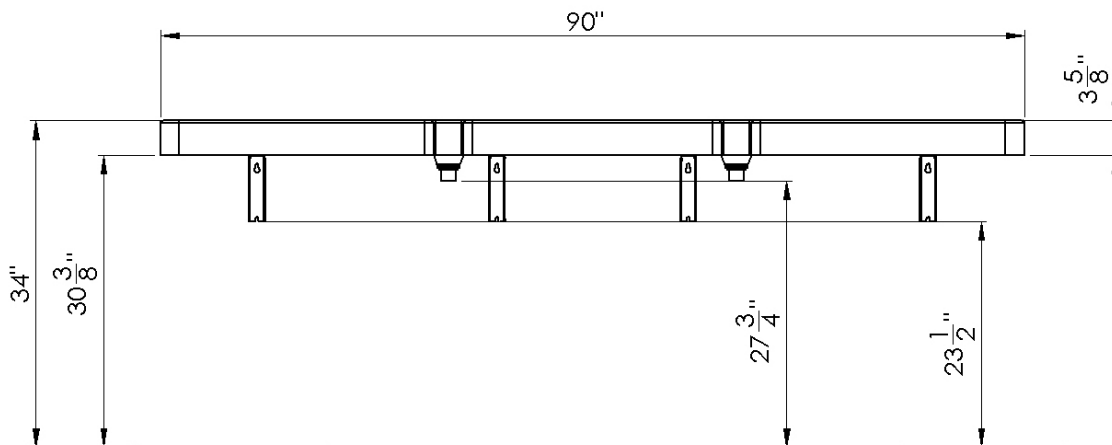
# Installation

## Dimensions

### Top View

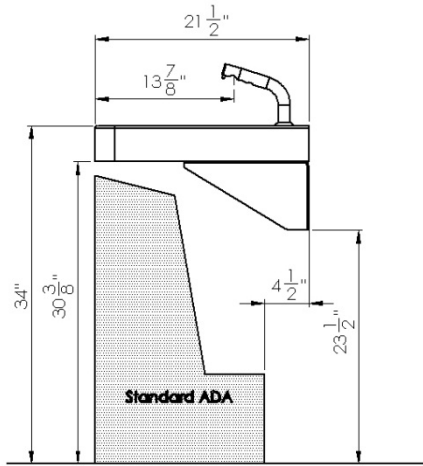


### Front View

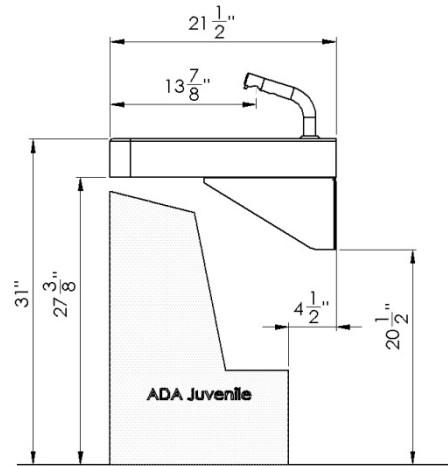


# Installation

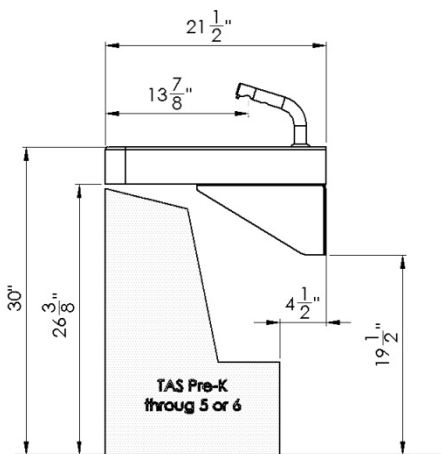
## Mounting Heights



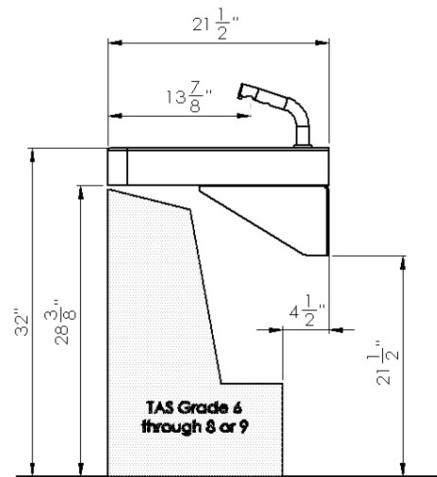
**Standard Height\***



**Juvenile Height,  
Ages 6-12\***



**TAS Height,  
Grades Pre-K through 5 or 6\***

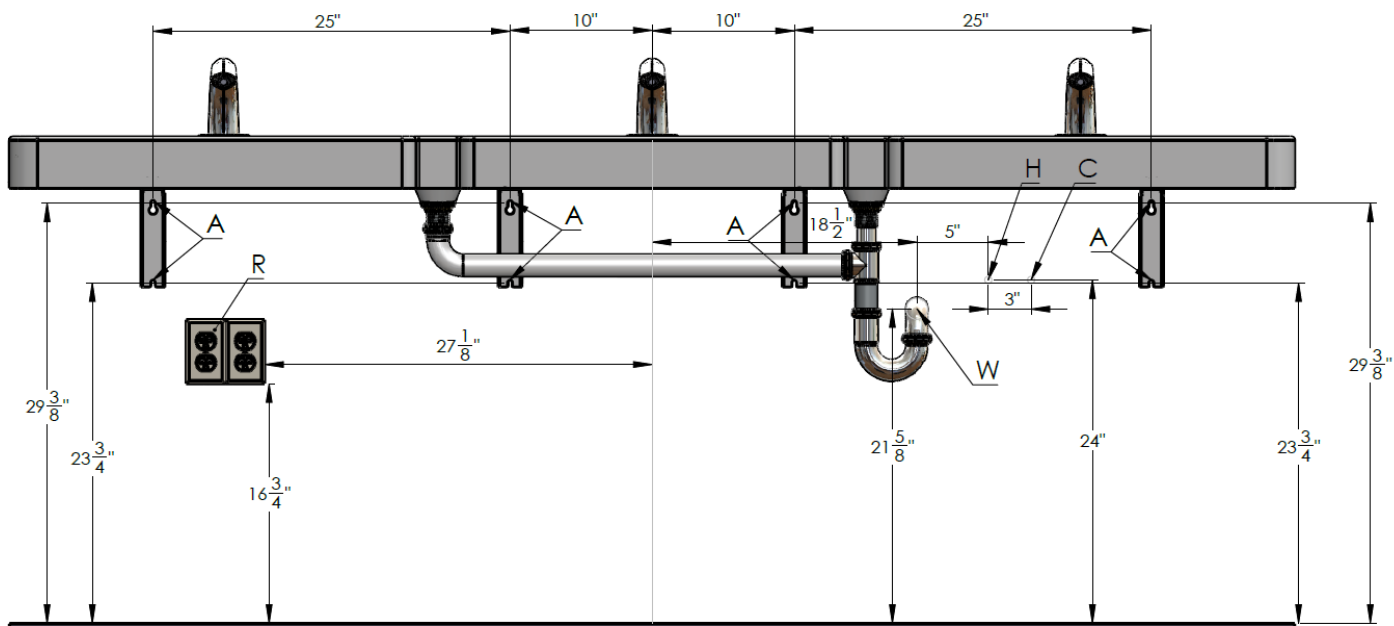


**TAS Height,  
Grades 6 through 8 or 9\***

\*: Washfountain is shown with Intersan's Standard Santronic® faucet. Dimensions for reach might differ if other faucet is used.

# Installation

## Rough-in Dimensions



Code	Description
A	3/8" Anchors
W	1 1/2" Drain
H	1/2" Hot Water Supply
C	1/2" Cold Water Supply
R	120V Receptacle

### Height Adjustments

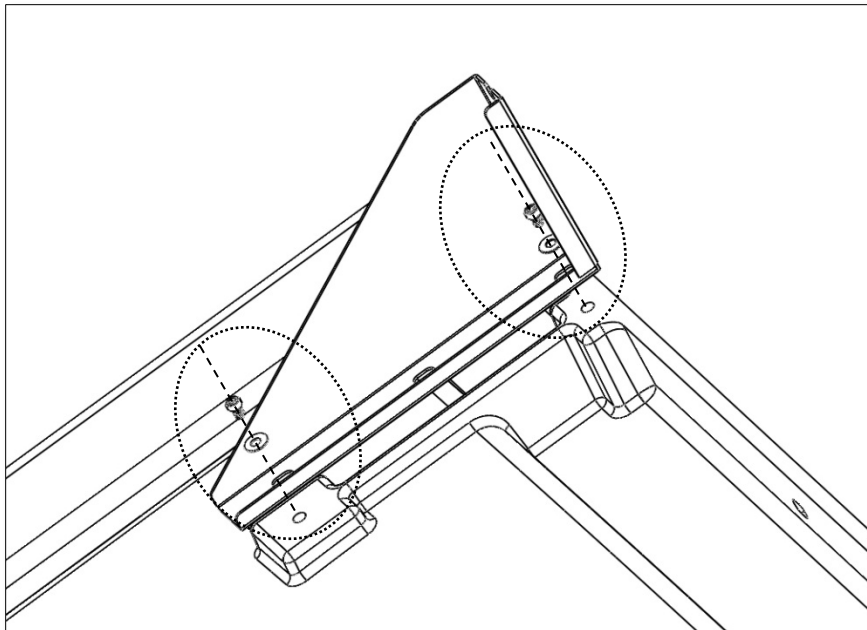
Standard	Rim Height	Adjustment of height for A, B, C, H, R & W
ADA & TAS Adult	34"	None
ADA Juvenile, Ages 6 - 12	31"	Subtract 3" from height in drawing
TAS, Grades 6 through 8 or 9	32"	Subtract 2" from height in drawing
TAS, Pre-K through Grades 5 or 6	30"	Subtract 4" from height in drawing

## Step 1: Rough-in

- a. When installing the fixture at non-standard height make sure to adjust the dimensions for height as shown on the table on page 4.
- b. Rough in the 1 ½" drain connections through the wall at the location marked with **W** on the drawing on page 4.
- c. Rough in the supply for water. The location of the supplies will depend on the faucets you install on the fixture.
- d. Install eight 3/8" anchors on the locations marked with **A** on the drawing on page 4. The anchors should have a pull-out strength of 1000 lbs.
- e. Install six 3/8" anchors on the locations marked with **B** on the drawing on page 4. The anchors should have a pull-out strength of 1000 lbs.

## Step 2: Installing the mounting frame

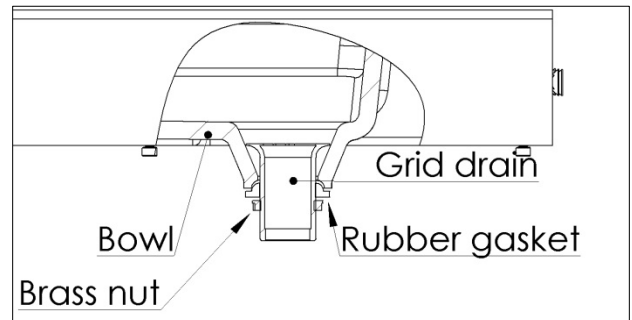
- a. Mount the brackets to the bowl with the supplied allen screws and washers



# Installation

## Step 3: Installing drain assemblies

- a. Position the grid drains in the drain holes.
- b. Put the rubber gasket and the brass nut over the grid drain on the underside of the bowl.
- c. Tighten the brass nut firmly so no water can pass between the grid drain and the bowl. If necessary use plumber's putty.
- d. Assemble the p-trap by connecting it to both the tailpiece of the grid drain and the 1 ½" drain stub in the wall.



## Step 4: Mounting the fixture to the wall

- a. Mount the fixture to the wall with 3/8" anchors. Make sure that the anchors have a pull out strength of 1000 lbs.

# Installation

---

## Maintenance

### Solidsan<sup>®</sup> bowl

Solidsan<sup>®</sup> is a solid surface material made of acrylic modified polyester resins, aluminum trihydrate fillers and color granules. This synthetic compound material has an elegant granite-like appearance. Solidsan<sup>®</sup> is not only virtually indestructible and easy to maintain, but equally matches perfectly from an aesthetic viewpoint, this resulting in a remarkable design with soft, rounded shapes, ideal for the public washroom.

- Daily care: wipe the surface with soapy water or a damp cloth.
- Surface staining: clean the surface with soapy water or ammonia based cleansers.
- Stubborn stains and superficial scratches: clean the surface with an abrasive cleanser and a wet sponge. You can also use a green Scotch Brite<sup>®</sup> pad.
- Stubborn scratches: sand with 400 grit sandpaper and then clean with an abrasive cleanser and a green Scotch Brite<sup>®</sup> pad.
- AVOID contact with harsh chemicals such as drain cleansers and paint removers.
- AVOID contact with hot pots or heat producing appliances.

# Installation

## Parts

