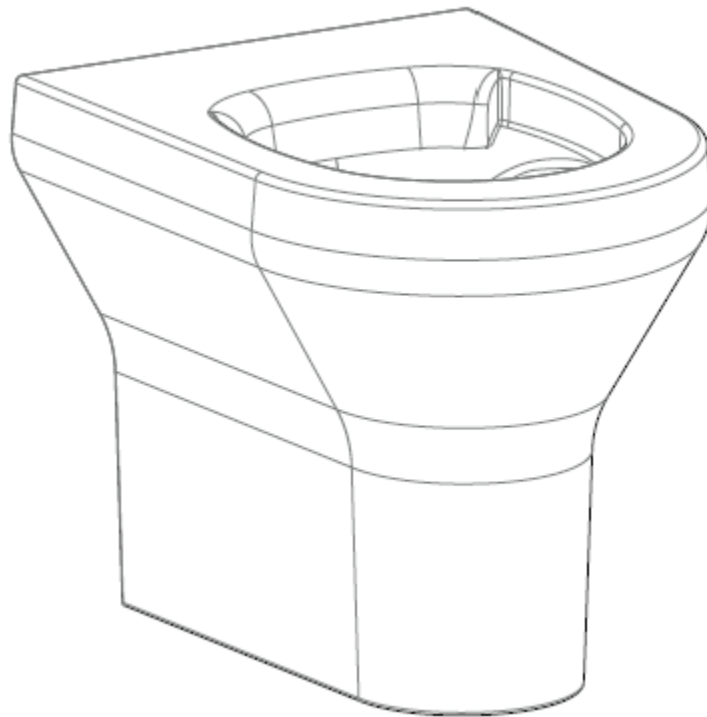


WC01-011

WC01-072

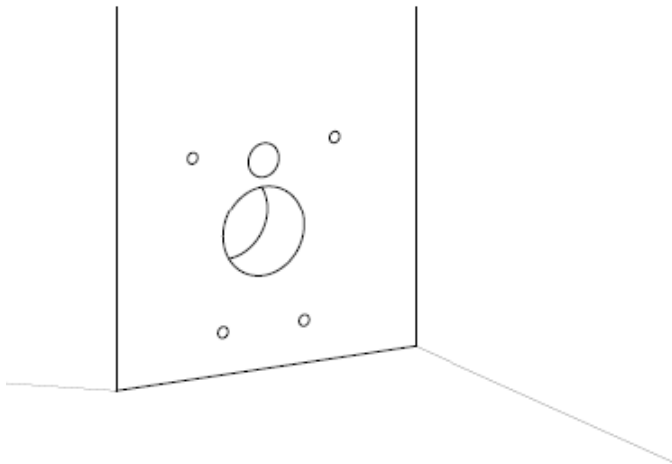
Back-to-Wall WC Pan

Installation Instructions



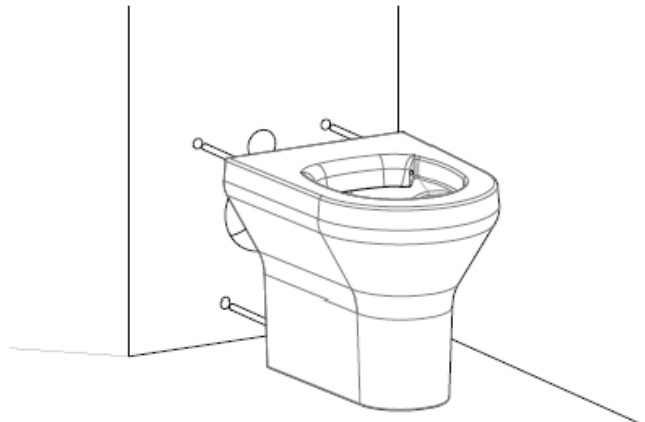
Step 1

Use the drilling template provided mark and drill holes for the inlet, waste and fixing studding.



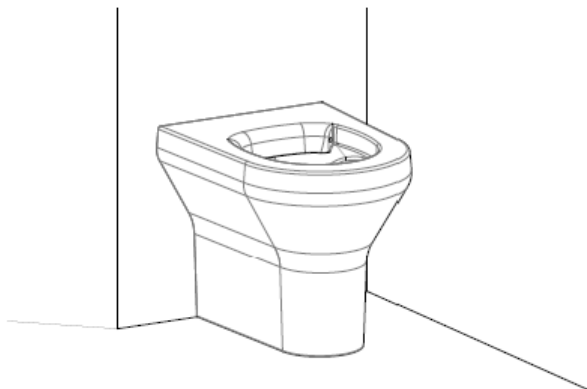
Step 2

Screw the M12 studding into the back of the pan as far as possible. Make sure a flush pipe cone and outlet connector is fitted in the back of the pan. Align the pan with fixing holes.



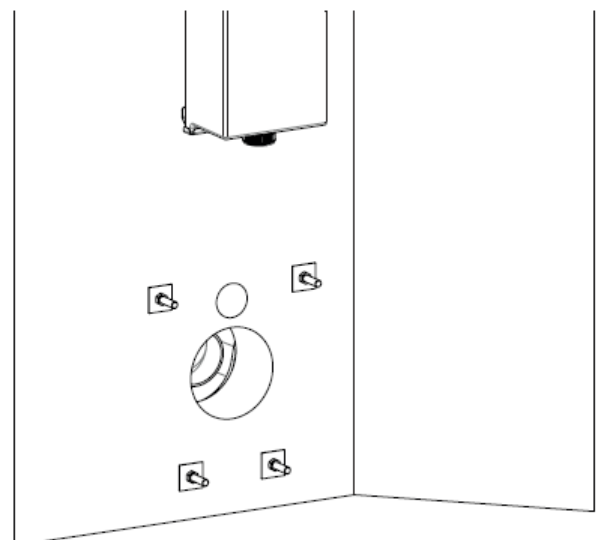
Step 3

Place the pan against the wall so all the fixing studs protrude through into the service duct.



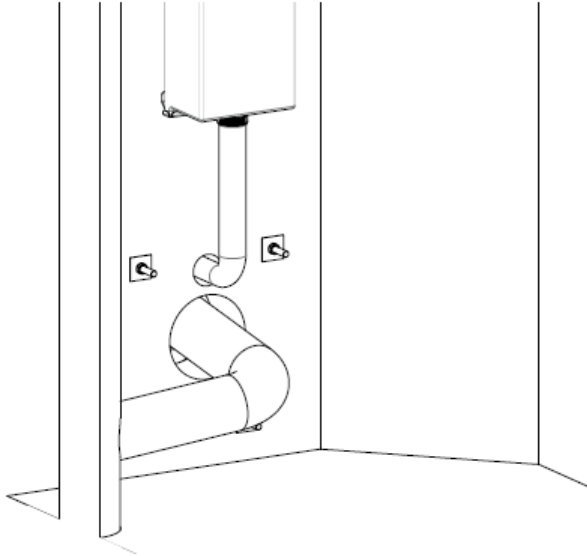
Step 4

Secure the pan to the wall using the nuts and washers supplied- tighten using a torque wrench to 16.3-17.7 lb-ft



Step 5

Connections to the WC flush pipe and soil pipes are conventional.



Step 6

Depending on the local site requirements, anti-pick or silicone sealant can be used around the edges for finishing off.

