



WH01 Series

WH01-017/WH01-073

Behavioral Healthcare Wall-Hung Toilet

Dimensions	Water Use	Certifications	Technical	Barrier Free
20-18" (d) x 15-3/4" (w) x 14-5/8" (h)	1.06 gallon per flush	WRAS	Drain: 4" Flush Inlet: 1½"	ADA TAS BC Building Code Ontario Barrier Free

MATERIAL & CONSTRUCTION

The techniques employed to construct these pans are used very successfully in the field of ballistic armour manufacturing, this results in unrivalled impact resistance.

A high-grade non-porous polyester gel coat surface specially formulated to resist chemicals and ultraviolet rays comes as standard.

High Security WC Pan; water efficient 1.06 gallon flush, domestic aesthetic, moulded impact resistant construction, vandal and ligature resistant, suitable for mental healthcare, healthcare and custodial applications.

STANDARD EQUIPMENT

Fixture in GRP material, steel mounting hardware, inlet seal and straight and 90° waste adaptor.

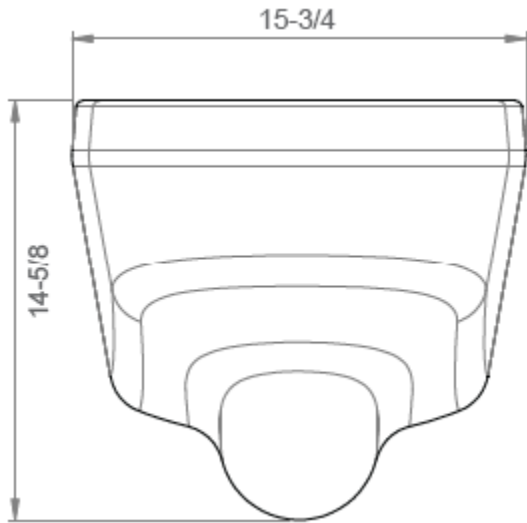
TECHNICAL

Material	High performance composite material
Gross Weight	32.4 lbs / 14.7 kg
Overall Dimensions	20-1/8" (d) x 15-3/4" (w) x 14-5/8" (h) 510 mm x 400 mm x 370 mm
Type of mounting:	Thru wall 4 x 12mm Stainless Steel allthread studding (incl.)
Flush Inlet	Ø 1-1/2" - 55 mm
Waste Outlet	Ø 4" - 100 mm
Single Flush Volume	1.06 gallon - 4 liter
Additional Features:	Hygienic non porous surface Concealed rear waste outlet Large trap to reduce blockages Warm to the touch surface, eliminates 'icy shock' Fixing kit for walls up to 9-7/8" (250 mm) thick provided as standard

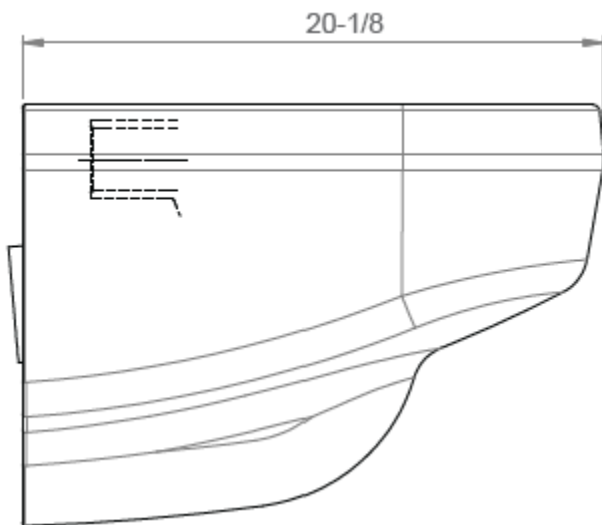


WARNING: Cancer and Reproductive Harm
www.P65Warnings.ca.gov

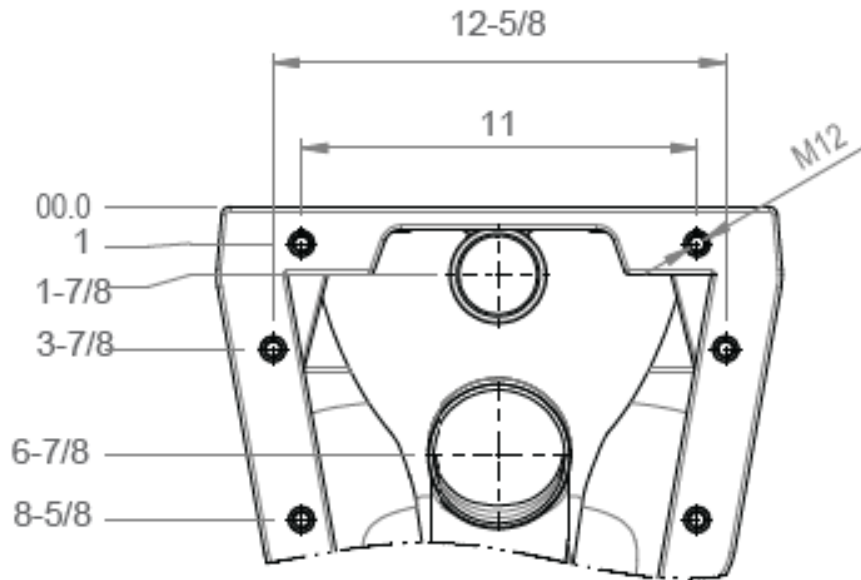
Front View



Side View



Rough-In Dimensions



001	Base Model Number (must specify)	
<input type="checkbox"/>	WH01	Behavioral Healthcare Wall-Hung Toilet
002	Color Fixed Seat (must specify)	
<input type="checkbox"/>	-017	Polar White
<input type="checkbox"/>	-073	Dark Grey
003	Color Bowl	
<input checked="" type="checkbox"/>		Polar White
005	Flushing Options	
<input type="checkbox"/>	CFKIT01	Concealed Flush Valve with Push Button Activation

In the absence of a legal or industry definition of anti-ligature or ligature resistant products, when we use these terms, we are referring to products that are designed and manufactured with the intention of reducing the risk of ligature attachment to the product(s). DVS and PSD LLC will always endeavour to design and test our anti-ligature product(s) to reduce the risk of product ligature attachment that may result in serious injury or death. Whilst all reasonable measures are taken at the time of design, the anti-ligature design of the products are not intended to and will not:

- a. Replace protective measures that need to be taken in the specific circumstances of usage;
- b. Substitute the need for supervision of those who may be at risk;
- c. Protect and or prevent those at risk against any self-harm instances that may occur when installed; and
- d. Protect and or prevent injury when the risks were unknown to us at the time of the design of the product(s).

PSD LLC does not offer and does not represent or warrant that any product(s) for sale that are ligature-free. Therefore, PSD LLC will not be liable for any claims, loss, or damages arising from ligature attachment on our products. It is the purchaser's responsibility to ensure that products purchased and installed are suitable for the environments in which they are installed, and suitable supervision and protective measures are in place to protect those at risk.

Whilst all reasonable care has been taken in compiling the information in this document, the designs, dimensions and products shown are indicative only and should not be relied upon without our prior approval. Due to our policy of continuous development, we reserve the right to alter any details of specifications or products without notice. All information, drawings, technical specifications and product designs remains the property of PSD LLC.

All information including dimensions, changes in design and material are subject to manufacturer's change without formal notice and without obligation. AquaDesign assumes no responsibility for use of superseded or voided information. Verify all rough-in information before installation. It is the responsibility of the installer to conform with local and national codes.