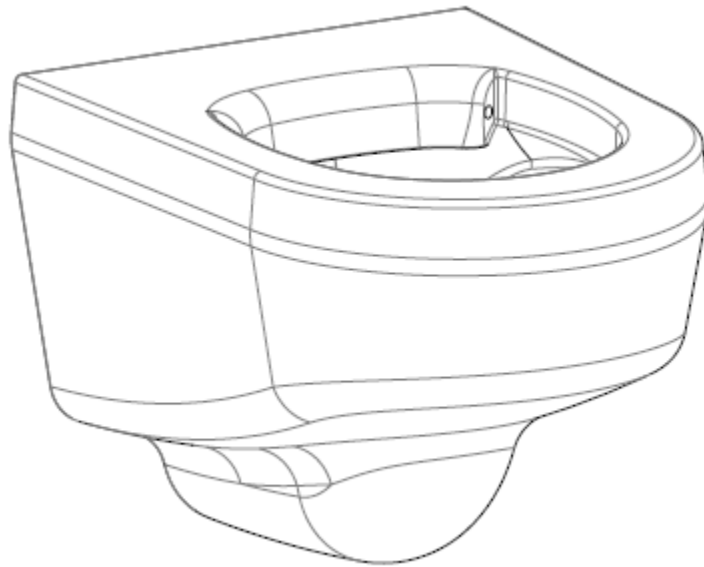


WH01-017

WH01-073

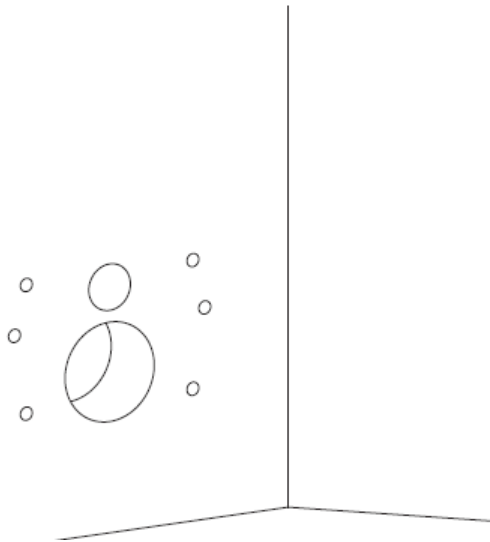
# Wall-Hung WC Pan

## Installation Instructions



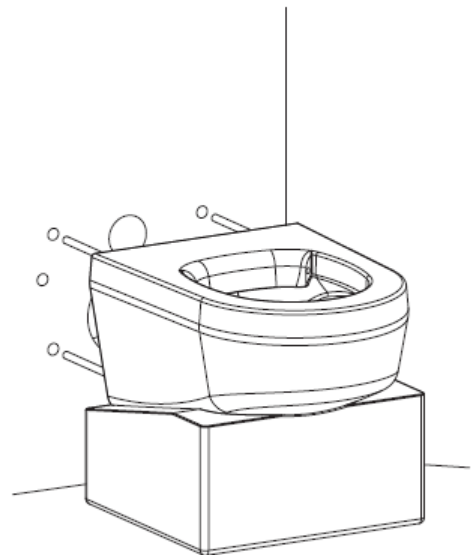
**Step 1**

Use the drilling template provided mark and drill holes for the inlet, waste and fixing studding.



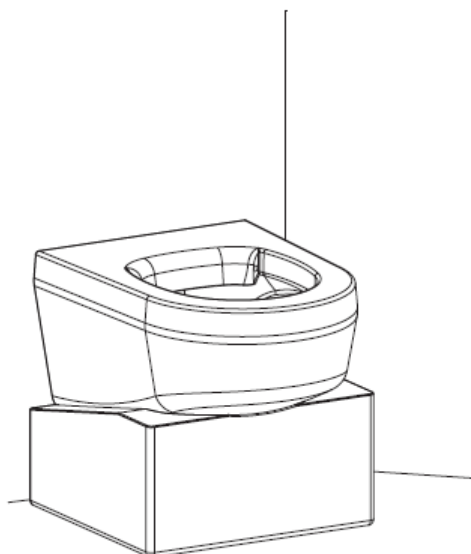
**Step 2**

Screw the M12 studding into the back of the pan as far as possible. Make sure a flush pipe cone and outlet connector is fitted in the back of the pan. The cradle can be used to support the pan. Align the pan with fixing holes.



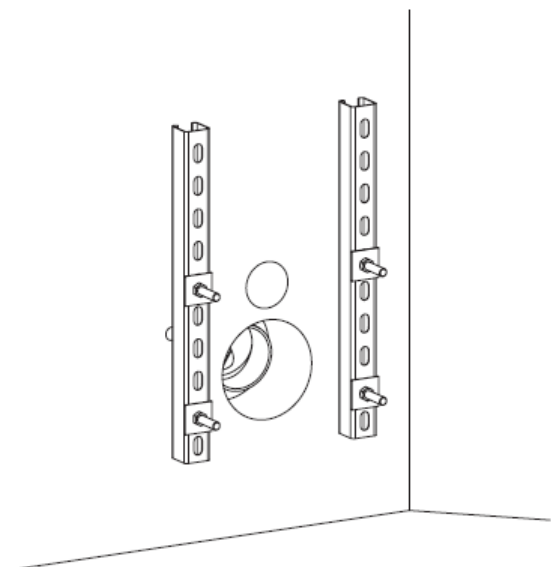
**Step 3**

Using the cradle, slide the pan in to place against the wall so all the fixing studs protrude through in to the service duct.



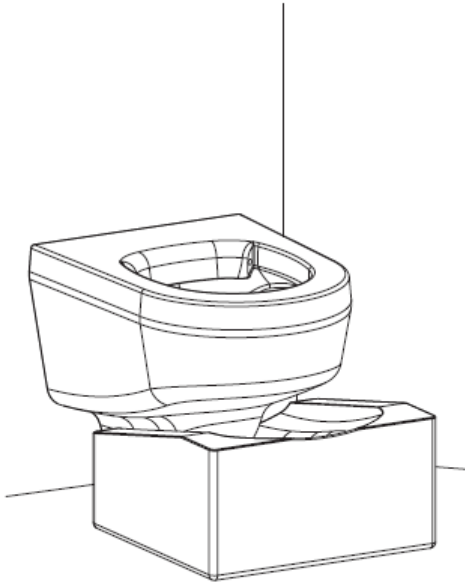
**Step 4**

Secure the pan using the nuts and washers supplied- tighten using a torque wrench to 16.3-17.7 lb-ft Connections to the WC flush pipe and soil pipes are conventional.



**Step 5**

Remove the cradle.



**Step 6**

Depending on the local site requirements, anti-pick or silicone sealant can be used around the edges for finishing off.

