



# Wash Basin - Series 11-IC

11-IC

## Infection Control Wash Basin

### Material & Construction

The 11-IC infection control wash basin was designed to comply with CSA Z8000.

The infection control wash basin is constructed of type 304 stainless steel, with a #4 satin finish. The sides of the wash basin are 16 gauge, the basin is 19 gauge.

The Infection Control Wash Basin is designed with minimal horizontal surfaces to prevent accumulation of standing water.

The sidewalls of the wash basin are seamlessly welded from within. The benefit to the elimination of any interior seams is that it removes hidden locations where bacteria can form.

The waste is fully seamless and is an integral part of the wash basin. It has no screen. The waste is offset to prevent aerosolization of trap content.

The integral back splashes and side splashes are deliberately high to prevent splashing and help prevent splash from landing outside the basin.

The Infection Control Basin has no overflow to limit possible surfaces for bacterial growth.

### Optional Coating

The 11-IC wash basin can be supplied with an optional anti-microbial coating that highly reduces the activity of a broad spectrum of bacteria and mold.

Anti-microbial Properties of Coating	
Reduction of bacteria 24 hrs. after contact with the anti-bacterial coating	
Listeria Monocytogenes	99.7%
Staphylococcus Aureau	99.5%
Eschericia Coli 0157	>99.9%
Salmonella Enteritidis	>99.9%

### Water Activation

The wash basin can be supplied with faucets designed to further remove the spread and growth of bacteria.

- U270320: wrist blade faucet with removable laminar spout. The spout can be stainless steel, disposable or have an integral biofilter.

- U270310: wrist blade faucet with fixed laminar spout and smooth interior to prevent the growth of bacteria.
- Line14: Sensor gooseneck faucet

### Application



The Series 1-IC Wash Basin is intended for handwashing only. It is not to be used to dispense water for human consumption either by drinking or use in the preparation of food or beverages.

### Warranty

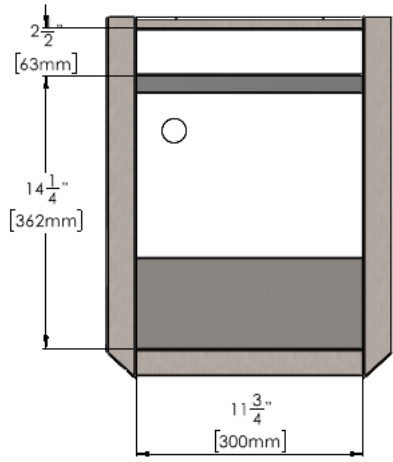
5 years limited warranty on material and 1 year limited warranty on components.

Technical Data	
Bowl Depth	10"
Bowl Front To Back	14-1/4"
Bowl Left To Right	11-3/4"
Overall Front To Back	18-7/8"
Overall Height	18-5/8"
Overall Left To Right	15"
Material	304 Stainless Steel
Waste Hole Position	Left Back Corner
Bowl Finish	#4 Brushed
Overflow	No
Waste	Integral 1-1/4" Tailpiece

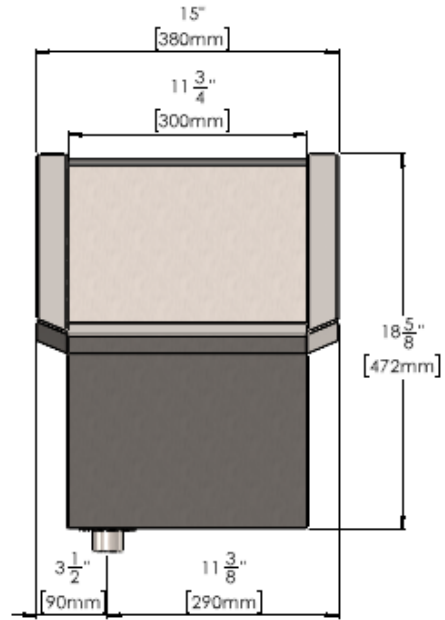


**WARNING:** Cancer and Reproductive Harm  
[www.P65Warnings.ca.gov](http://www.P65Warnings.ca.gov)

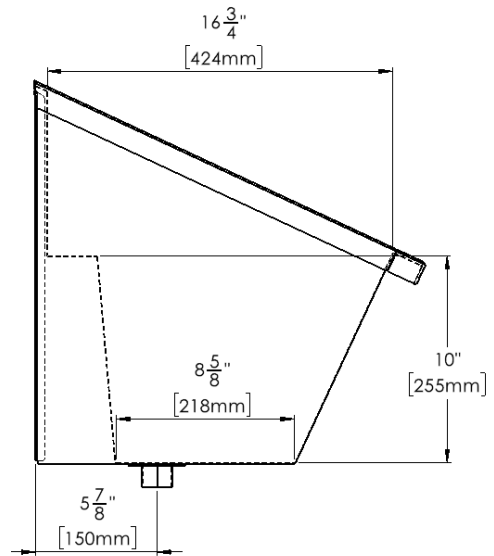
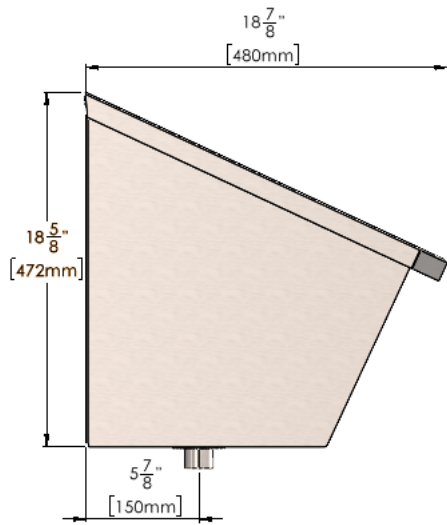
Top View



Front View

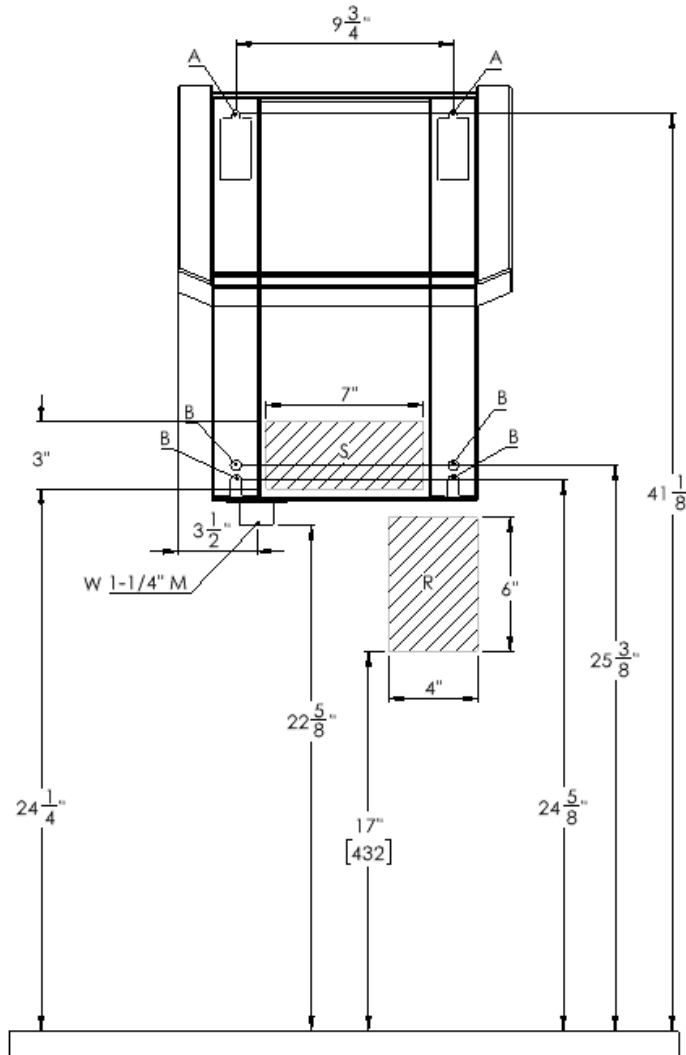


Side View



### Rough-In Dimensions

For Rim Height 34"



Notes:

1. Electrical receptacle must be wired to a GFCI protected circuit. Fixture must be earth grounded.
2. Consult local electrical code for need and use of extra electrical conduit box.
3. All height dimensions are measured from the FINISHED floor

Code	Description
A	1/4" Anchors
B	3/8" Anchors
R	110V GFCI Outlet
W	1-1/4" NPT Drain
S	1/2" Supply (hot and cold)

## Faucet Options



-U270320 Faucet

Wrist blade faucet with removable laminar spout. Choice of disposable, stainless or filtered spout.



-U270310 Faucet

Wrist blade faucet with fixed spout. Smooth interior of faucet to help prevent growth of bacteria.



-L14 Faucet

Gooseneck sensor faucet with both battery and plug-in transformer.

<b>001 Base Model Number (must specify)</b>		
<input type="checkbox"/>	11-IC	Single User Infection Control Basin
<b>002 Faucet (must specify)</b>		
<input type="checkbox"/>	-Z01	No Faucet, No Supply Line
<input type="checkbox"/>	-U270310	Wristblade, Fixed Spout
<input type="checkbox"/>	-U270320-SS	Wrist blade, Removable Stainless Spout
<input type="checkbox"/>	-U270320-FS	Wrist blade, Filtered Spout
<input type="checkbox"/>	-U270320-DS	Wristblade, Disposable Spout
<input type="checkbox"/>	-L14	Gooseneck Sensor Faucet
<b>003 Coating</b>		
<input type="checkbox"/>	-	No Coating
<input type="checkbox"/>	-AMS	Anti-microbial Coating
<b>004 Other Options</b>		
<input type="checkbox"/>	-CS	Centerset Punching for faucets by others
<input type="checkbox"/>	-4C	4" Center Punching for faucets by others
<input type="checkbox"/>	-8C	8" Center Punching for faucets by others

Approved by:

Name: \_\_\_\_\_

Title: \_\_\_\_\_

Signature: \_\_\_\_\_

Date: \_\_\_\_\_

All information including dimensions, changes in design and material are subject to manufacturer's change without formal notice and without obligation. AquaDesign assumes no responsibility for use of superseded or voided information. Verify all rough-in information before installation. It is the responsibility of the installer to conform with local and national codes.