

Wash Basin - Series 1

Two User Wash Basin

Dimensions	Water Use	Technical	Barrier Free*
47 ³ / ₄ " x 18" x 16 ⁷ / ₈ "	0.35 - 2 gpm	Drain: 1 1/2" Supplies: 1/2" Inlet Pressure: 17 to 80 psi	ADA TAS Alberta Building Code BC Building Code Code Construction Québec <small>*M4 & M12 faucets or no faucets only</small>

Material & Construction

The wash basin is constructed of type 304 stainless steel, with a #4 satin finish. The sides of the wash basin are 16 gauge, the basin is 19 gauge. The sidewalls of the wash basin are seamlessly welded from within. The benefit to the elimination of any interior seams is that it removes hidden locations where bacteria can form. To assist in maintaining the wash basin, it has been designed without any horizontal surfaces for unsightly water to collect. All interior corners of the basin are more than 90 degrees, which promotes rapid drainage to the center of the basin.

The drain strainer is fully seamless and is an integral part of the wash basin.

When faucets are supplied they will be pre-assembled on the wash fountain. The water supply manifold will be made from 1/2" PEX tubing.

Water Activation

The wash basin can be supplied with a wide range of faucets with different kinds of activation.

Soap

The wash basin can be supplied with a soap dish (-A2). As an alternate a bracket for mounting soap dispensers by others can be mounted on the washbasin (-A3).

A sensor foam soap option is also (-S15) available.

Application



The Series 1 Wash Basin is intended for handwashing only. It is not to be used to dispense water for human consumption either by drinking or use in the preparation of food or beverages.

LEED Compliance

The wash basin with the M15 sensor faucet contributes to meeting LEED requirements in the following categories:

- WEp1 - Water Efficiency
- WEc3 - Water Use Reduction

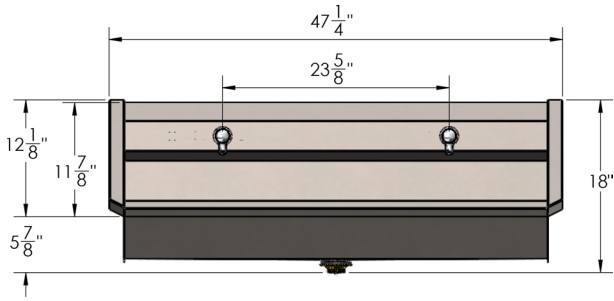
Warranty

5 years limited warranty on material and 1 year limited warranty on components.

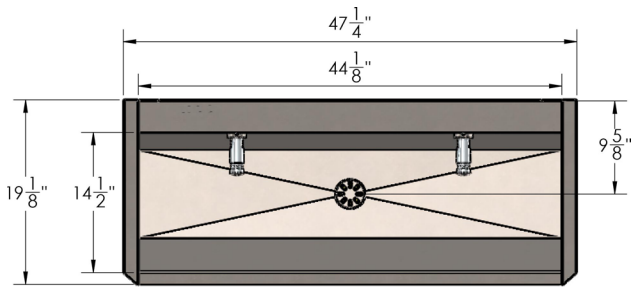


WARNING: Cancer and Reproductive Harm
www.P65Warnings.ca.gov

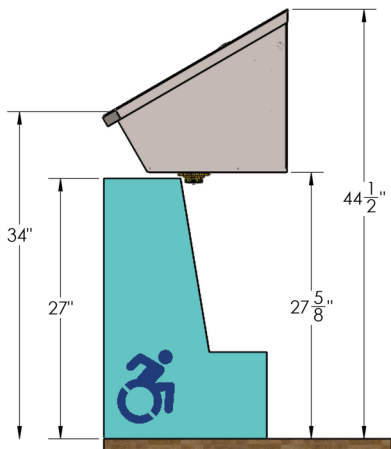
Front View



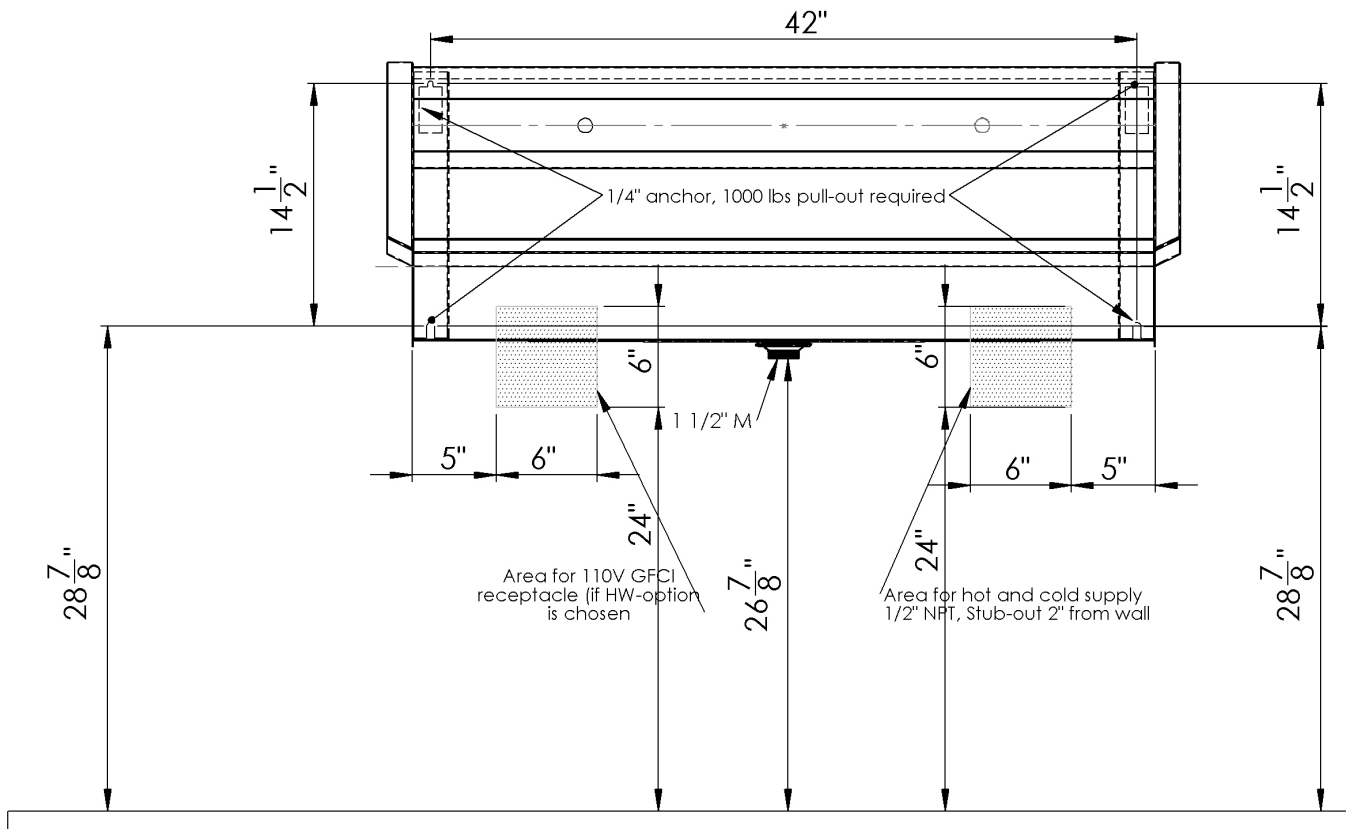
Top View



Side View



Rough-In Dimensions



Notes:

1. Electrical receptacle must be wired to a GFCI protected circuit. Fixture must be earth grounded.
2. Consult local electrical code for need and use of extra electrical conduit box.
3. All height dimensions are measured from the FINISHED floor

Height Adjustments

Standard	Rim Height	Adjustment of A, B&W
ADA & TAS Adult	34"	None
Alberta and BC Building Code	865 mm	None

Faucet Options



-M1 Faucet

The M1-faucet is a cold or tempered water faucet. The spout is made of chromed brass. Activation of the faucet is done by turning the end of the spout one quarter turn.



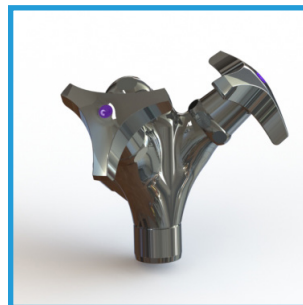
-M4 Faucet

The M4-faucet is a cold or tempered water faucet. The faucet has a blade handle and complies with ADA for activation



-M2 Faucet

The M2-faucet is a cold or tempered water faucet. The faucet has a ceramic cartridge.



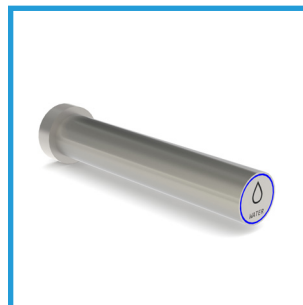
-M5 Faucet

The M5-faucet is a hot and cold water mixing faucet. The hot and cold water can be operated separately.



-M70 Faucet

The M70-faucet is a push button metering faucet. The water is set to run for 11 seconds and the run time can be adjusted. The faucet does not comply with ADA for activation.



-M15 Faucet

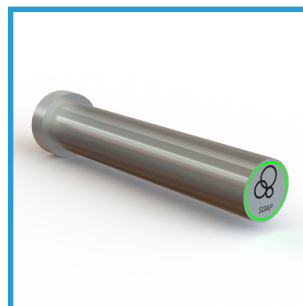
The M15-faucet is stainless sensor activated faucet activated by concealed sensor built into the spout. Includes a low battery indicator. The faucet comes standard with a plug-in transformer.

Sensor Soap Option



-M18 Faucet

The M18-faucet is a sensor activated gooseneck faucet. Includes a low battery indicator. Is standard operated by 4 x AA batteries.



-S15 Soap Dispenser

The -S15 sensor soap dispenser is activated by concealed sensor built into the spout. Includes a low battery indicator. The dispenser has a refillable 1 qt reservoir and dispenses foam soap.

001	Base Model Number (must specify)	
<input type="checkbox"/>	12	Two User Line 1 Wash Basin
002	Faucet (must specify)	
<input type="checkbox"/>	-Z01	No Faucet, No Supply Line
<input type="checkbox"/>	-M01	Quarter Turn Faucet
<input type="checkbox"/>	-M02	Cold Water Faucet
<input type="checkbox"/>	-L70	Pushbutton faucet
<input type="checkbox"/>	-M04	Wristblade Faucet
<input type="checkbox"/>	-M05	Hot & Cold Water Faucet
<input type="checkbox"/>	-M15	Sensor Operated Faucet
<input type="checkbox"/>	-M18	Sensor Gooseneck Faucet
003	Soap Options	
<input type="checkbox"/>	-A2	Soap Dish (one piece)
<input type="checkbox"/>	-A3	Bracket for Soap Dispenser (one piece)
<input type="checkbox"/>	-S15	Sensor Soap Dispenser
004	Other Options	
<input type="checkbox"/>	-TMV	Thermostatic Mixing Valve
<input type="checkbox"/>	-LEG	2-Stainless Steel Legs
<input type="checkbox"/>	-A17-2	Stainless Grid

Approved by:

Name: _____

Title: _____

Signature: _____

Date: _____

All information including dimensions, changes in design and material are subject to manufacturer's change without formal notice and without obligation. AquaDesign assumes no responsibility for use of superseded or voided information. Verify all rough-in information before installation. It is the responsibility of the installer to conform with local and national codes.