

Wash Basin - Series 5

51

Single User Wash Basin

Dimensions	Water Use	Certifications	Technical	Barrier Free
24 ^{3/8} " x 18 ^{7/8} " x 7 ^{3/4} "	0.5 - 2.0 gpm	 ASME A112.18.2-2011 CSA B125.2-11 ASME A112.19.3-2008 CSA B45.4-08	Drain: 1 1/2" Supplies: 1/2" Inlet Pressure: 17-100 psi	ADA TAS Alberta Building Code Ontario Barrier Free BC Building Code Code Construction Québec

Material & Construction

The wash basin is constructed of type 304 stainless steel, with a #4 satin finish. The sides of the wash basin are 16 gauge, the basin is 19 gauge.

The sidewalls of the wash basin are seamlessly welded from within. The benefit to the elimination of any interior seams is that it removes hidden locations where bacteria can form. To assist in maintaining the wash basin. All interior corners of the basin are more than 90 degrees, which promotes rapid drainage to the center of the basin.

The drain strainer is fully seamless and is an integral part of the wash basin.

When faucets are supplied they will be supplied with a water supply manifold made from 1/2" PEX tubing.

Water Activation

The wash basin can be supplied with a wide range of electronic and manual faucets.

Soap

The wash basin can be supplied with any of AquaDesign's electronic soap dispensers.

Application



The Series 5 Wash Basin is intended for handwashing only. It is not to be used to dispense water for human consumption either by drinking or use in the preparation of food or beverages.

LEED Compliance

The wash basin with the AquaDesign's faucets contributes to meeting LEED requirements in the following categories:

WEp1 - Water Efficiency
 WEc3 - Water Use Reduction

Some AquaDesign faucets have a water flow of 0.35 gpm.

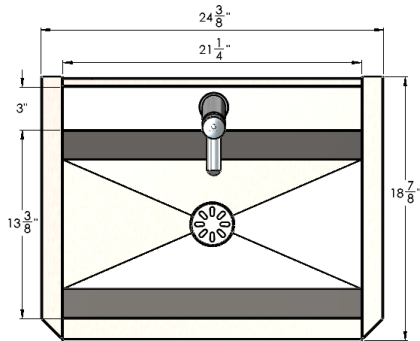
Warranty

5 years limited warranty on material and 1 year limited warranty on components.

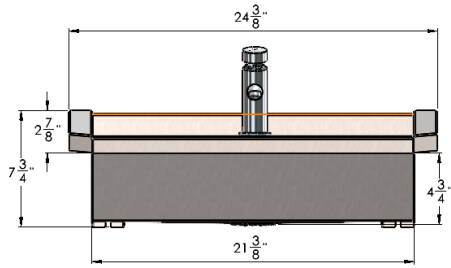


WARNING: Cancer and Reproductive Harm
www.P65Warnings.ca.gov

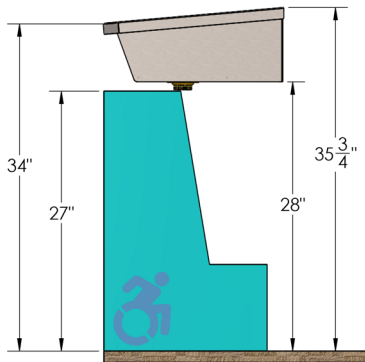
Top View



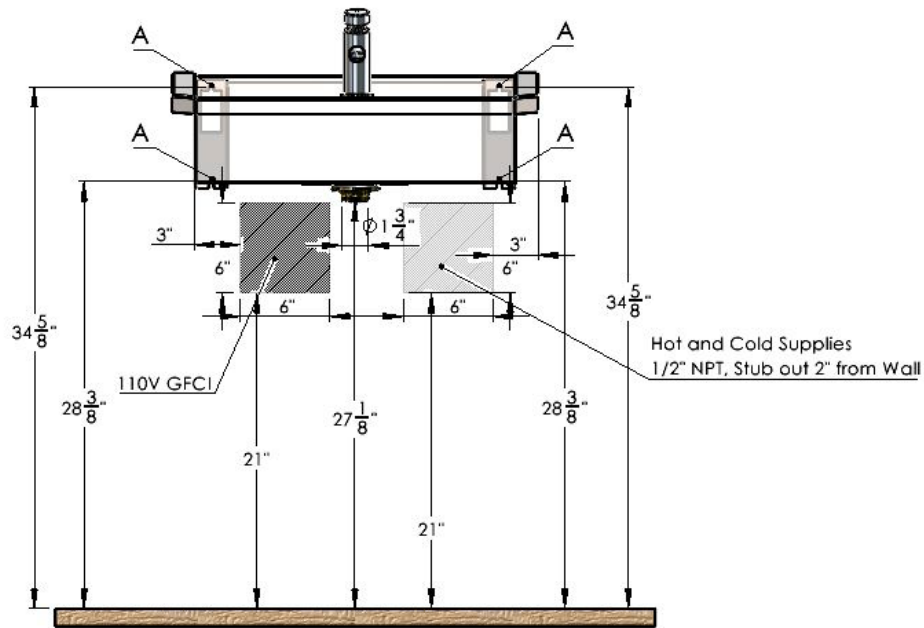
Front View



Side View



Rough-In Dimensions



Code	Description
A	1/4" Anchors

Notes:

1. Electrical receptacle must be wired to a GFCI protected circuit. Fixture must be earth grounded.
2. Consult local electrical code for need and use of extra electrical conduit box.
3. All height dimensions are measured from the FINISHED floor

Height Adjustments

Standard	Rim Height	Adjustment of A, B& W
ADA & TAS Adult	34"	None
Ontario Barrier Free	840 mm	Subtract 1" from height in drawing
Alberta & BC Building Code, Ontario Barrier Free	865 mm	None
Code Construction Quèbec	865 mm	Aucun

Faucet Options



-OMW Faucet



-L13 Faucet



-OMS Faucet



-L14 Faucet



-L12 Faucet



-L70 Faucet

Soap Dispenser Options



-SD12 Soap Dispenser

001 Base Model Number (must specify)		
<input type="checkbox"/>	51	Two User Line 5 Wash Basin
002 Faucet (must specify)		
<input type="checkbox"/>	-Z01	No Faucet, No Supply Line
<input type="checkbox"/>	-OMW	Omnia Water Only Faucet
<input type="checkbox"/>	-OMS	Omnia Water and Soap Faucet
<input type="checkbox"/>	-L12	Line 12 Sensor Faucet
<input type="checkbox"/>	-L13	Line 13 Sensor Faucet
<input type="checkbox"/>	-L14	Line 14 Sensor Faucet
<input type="checkbox"/>	-L70	Line 70 Push Button Faucet
003 Soap Dispensers		
<input type="checkbox"/>	-SD12	Line 12 Soap Dispenser
004 Other Options		
<input type="checkbox"/>	-TMV	Thermostatic Mixing Valve
<input type="checkbox"/>	-LEG	2-Stainless Steel Legs
<input type="checkbox"/>	-HW	Plug-in Transformer for Sensor Faucet

Approved by:

Name: _____

Title: _____

Signature: _____

Date: _____

All information including dimensions, changes in design and material are subject to manufacturer's change without formal notice and without obligation. AquaDesign assumes no responsibility for use of superseded or voided information. Verify all rough-in information before installation. It is the responsibility of the installer to conform with local and national codes.