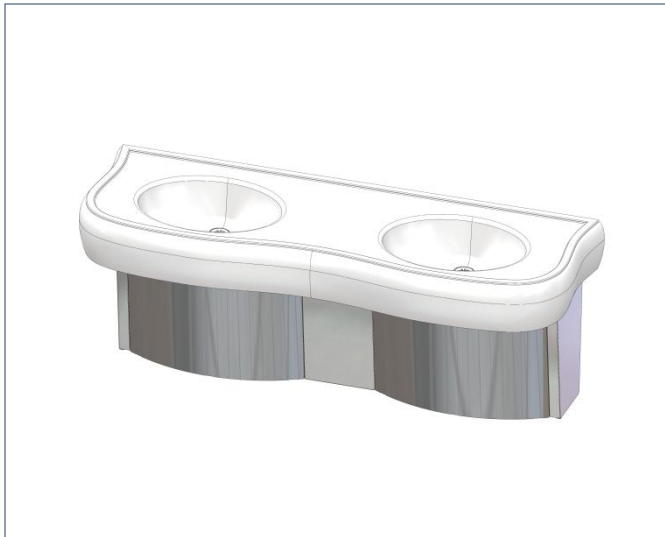


# Installation



Installation Instructions for model:  
  
SWVC-2

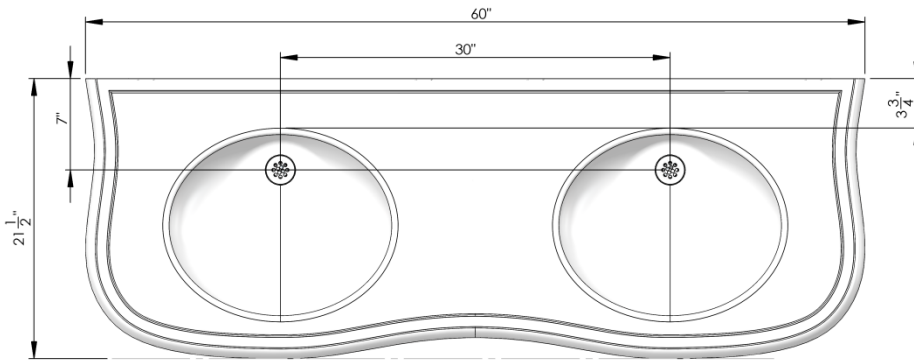
**IMPORTANT**

- Read instructions entirely prior to installation.
- Prior to hooking up the fixture to the water supply make sure that all the lines are flushed thoroughly.
- All wall anchors should have a pull out strength of 1000 lbs or more.
- Units should always be installed according to local plumbing and/or electrical codes.
- Do not remove protective film on stainless steel parts until installation is complete.

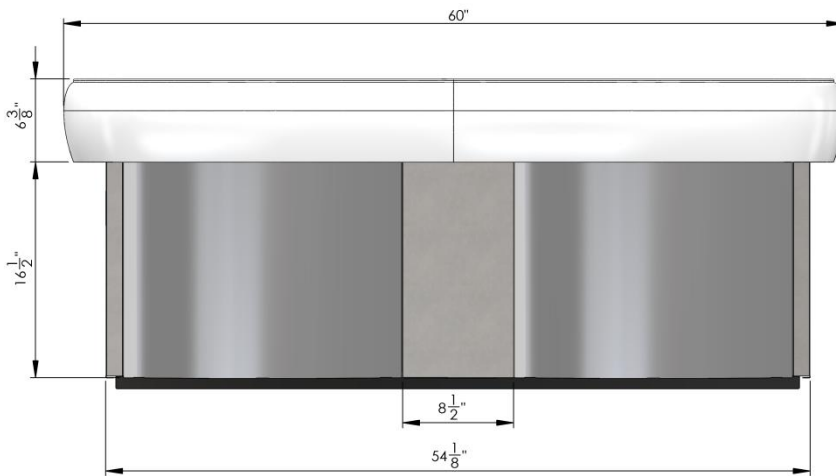
SWVC-2 - series  
**Solidwave Classic** - Two user lavatory system



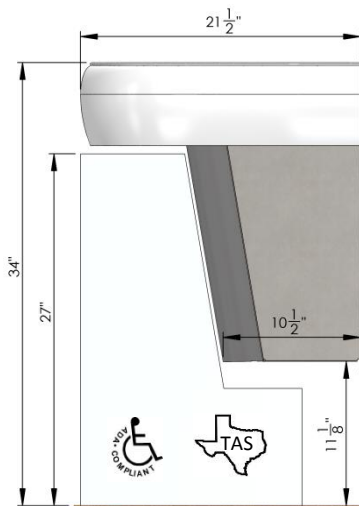
**Top View**



**Front View**



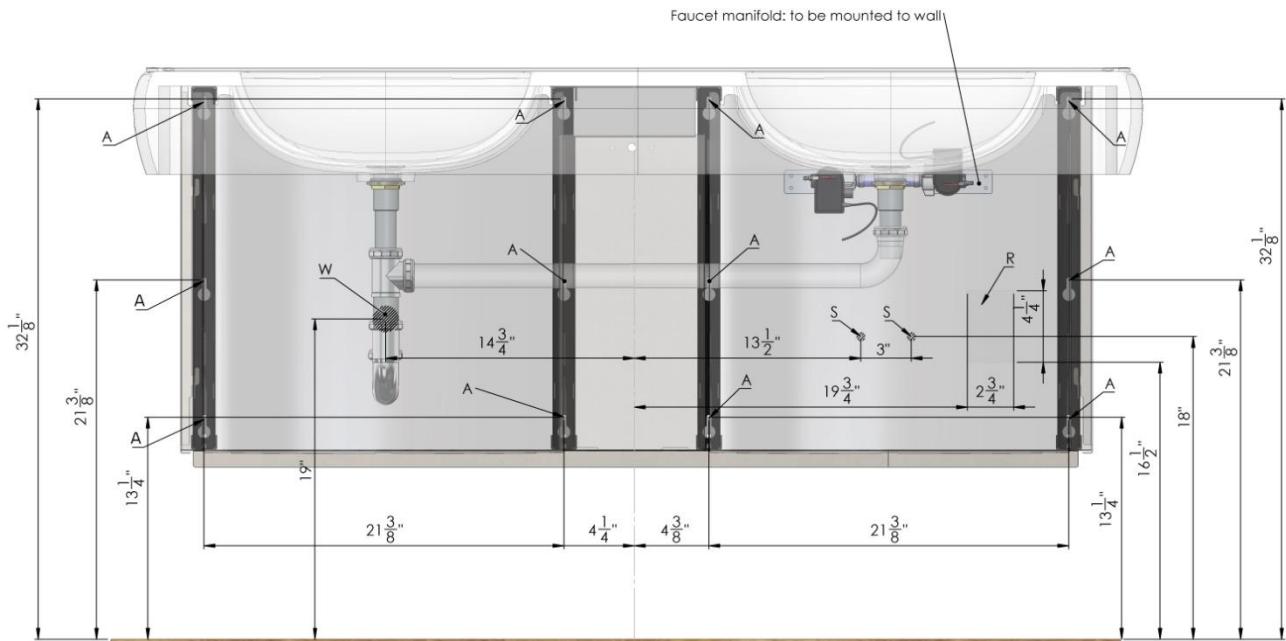
**Side View – Mounted at Standard ADA Height**



SWVC-2 - series  
**Solidwave Classic** - Two user lavatory system

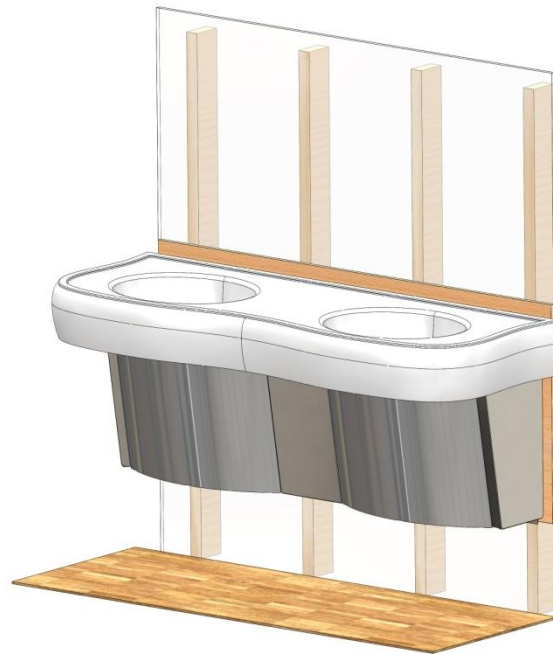


Rough-in Dimensions SWVC-2



\* All vertical measurements are measured from the FINISHED floor

| Code | Description   |
|------|---|
| A    | 1/4" Anchors for support brackets with a pull out strength of min. 1000 lbs./ |
| W    | 1 1/2" NPT Drain, stub out 2"   |
| S    | 1/2" copper tubing for hot& cold supplies, stub out 2" from wall              |
| R    | 110V GFCI outlet  |



### Step 1: Rough-in

- a. **When installing the fixture at non-standard height make sure to adjust the dimensions for height as shown on the table on page 3.**
- b. Rough in the ½" copper supply tubing through the wall at the locations marked with **S** on the rough-in drawing on page 5 or 6.
- c. Rough in the 1 ½" drain connection through the wall at the location marked with **W** on the drawing on page 5 or 6.
- d. When using faucets with plug-in transformer(s): rough in the GFCI electrical outlet at the location marked with **R** on the drawing on page 5 or 6.
- e. Install eight 1/4" anchors on the locations marked with **A** on the drawing on page 5 or 6. The anchors should have a pull-out strength of 1000 lbs.

## Step 2: Attaching the unit to the wall



- DO NOT remove the protective film from the stainless panels until the installation is complete.
- Remove the front and side panels from the unit, by removing the allen screws on the bottom of the unit.
- Open the access panel.
- Lift the deck on the anchors that were installed according to rough-in on page 3.
- Bolt the unit to the wall.

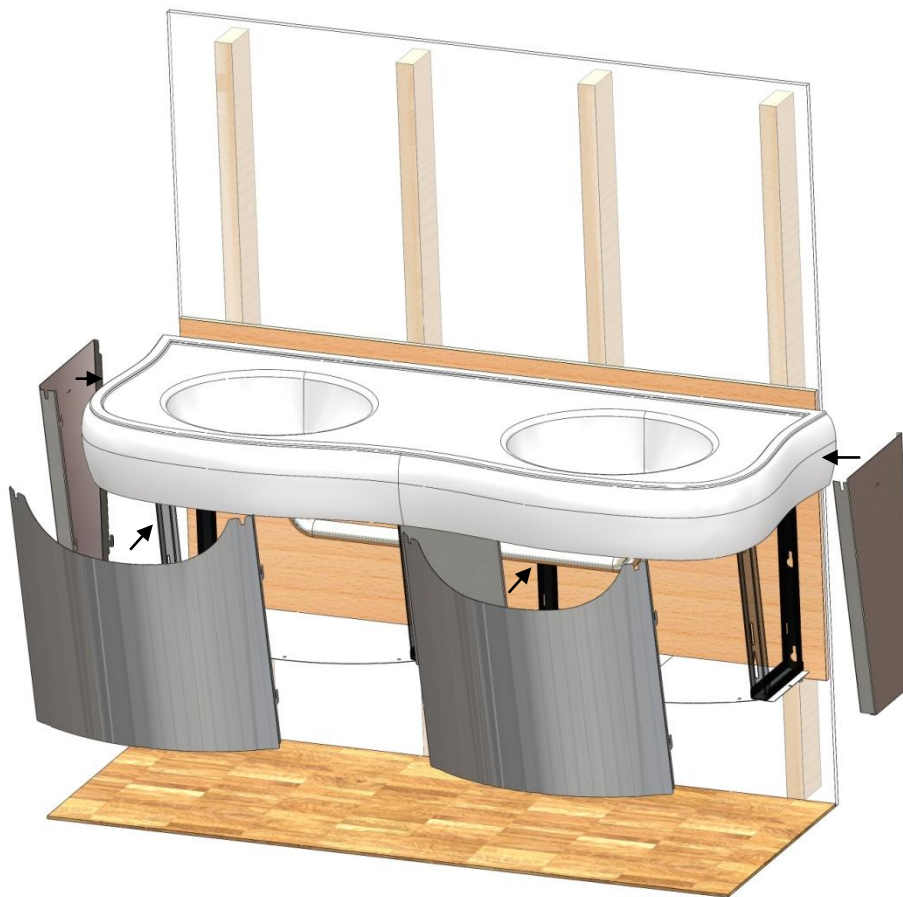
**Step 3: Installing the P-trap**

- a. Install the p-trap according to the picture below.



**Step 4: Attach the skirt and side panels**

- a. Install the faucets on the deck and connect the cold/hot water supplies
- b. Attach the front panels and side panels to the steel frame of the fixture.
- c. Tighten up the allen screws on the bottom of the unit
- d. Remove the protective film from the stainless steel parts of the fixture.



## Maintenance

### Solidsan<sup>®</sup> bowl and side panels

Solidsan<sup>®</sup> is a solid surface material made of acrylic modified polyester resins, aluminum trihydrate fillers and color granules. This synthetic compound material has an elegant granite-like appearance. Solidsan<sup>®</sup> is not only virtually indestructible and easy to maintain, but equally matches perfectly from an aesthetic viewpoint, this resulting in a remarkable design with soft, rounded shapes, ideal for the public washroom.

- Daily care: wipe the surface with soapy water or a damp cloth.
- Surface staining: clean the surface with soapy water or ammonia based cleansers.
- Stubborn stains and superficial scratches: clean the surface with an abrasive cleanser and a wet sponge. You can also use a green Scotch Brite<sup>®</sup> pad.
- Stubborn scratches: sand with 400 grit sandpaper and then clean with an abrasive cleanser and a green Scotch Brite<sup>®</sup> pad.
- AVOID contact with harsh chemicals such as drain cleansers and paint removers.
- AVOID contact with hot pots or heat producing appliances.

### Stainless steel panels

#### Things to Avoid

- Avoid scouring a Stainless steel surface across the satin finish lines. Scouring across the satin finish lines can damage the original Stainless steel grain finish. Never use an abrasive scouring pad.
- Don't allow liquid soap or other household cleansers to dry on the Stainless steel surface. Most brands contain chemical additives, which will affect the finish.
- Never leave solutions of chlorine bleach and water on your Stainless steel surface for extended periods of time. Chlorides, which are found in most soaps, detergents, bleaches, and cleansers, are very aggressive to stainless steel. If left on too long they can cause surface pitting.
- Don't use a steel wool pad to clean your Stainless steel. Steel wool pads have a tendency to break apart and small particles of steel can become embedded in the surface of the sink. The steel particles will rust and will give the appearance that the Stainless steel itself is rusting.
- Never leave wet sponges, cloths, or cleaning pads on the Stainless steel surface. This can lead to surface rust.

#### Things to Do

- Rinse or clean surface after use. Clean with warm, soapy water.
- Avoid caustic chemicals. Avoid exposing your appliance to strong chemicals, such as paint removers, oven cleaners, etc. If contact occurs, quickly flush the surface with water.
- Follow the grain. When cleaning the Stainless steel surface of your sink, be sure to rub in the direction of the grain finish lines.



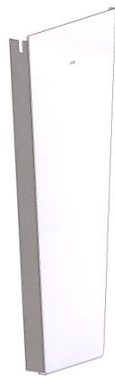
## Parts Breakdown



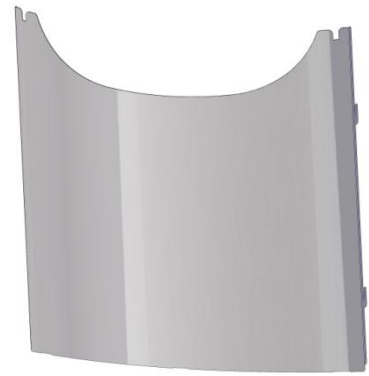
P451110  
Support Bracket



P451160  
Right Side Panel



P451170  
Left Side Panel



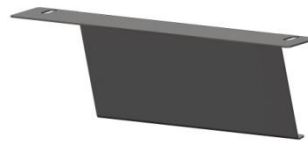
P451190  
Concave Front Panel



U605010  
Access Panel



LOCK82PD  
Lock Assembly



U605020  
Access Panel Stop



SDCDBOWL + color



P451140  
Bottom Plate



SDCDRAIN2  
Drain Assembly