

Installation



Installation Instructions for models:

ICHD

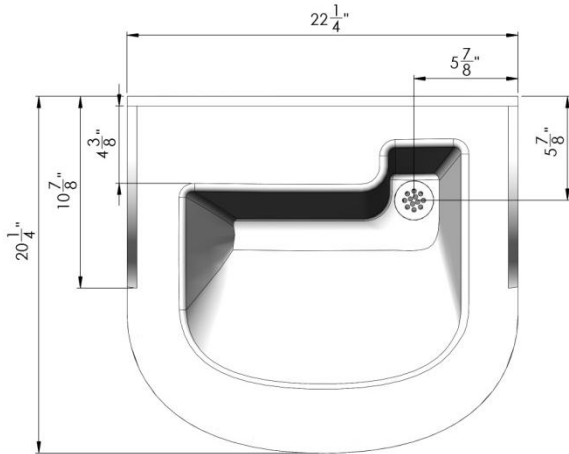
PRSD

IMPORTANT

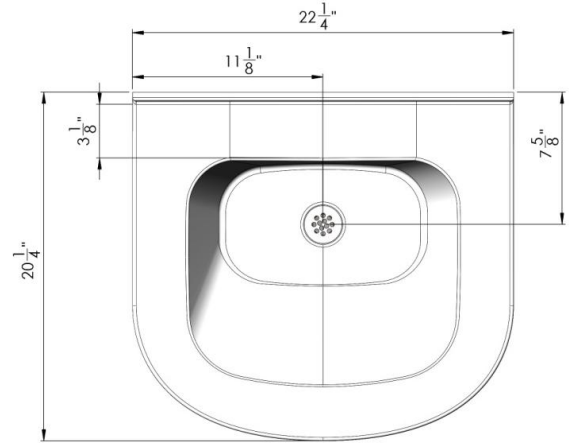
- Read instructions entirely prior to installation.
- Prior to hooking up the fixture to the water supply make sure that all the lines are flushed thoroughly.
- All wall anchors should have a pull out strength of 1000 lbs or more.
- Units should always be installed according to local plumbing and/or electrical codes.

Installation

Top View

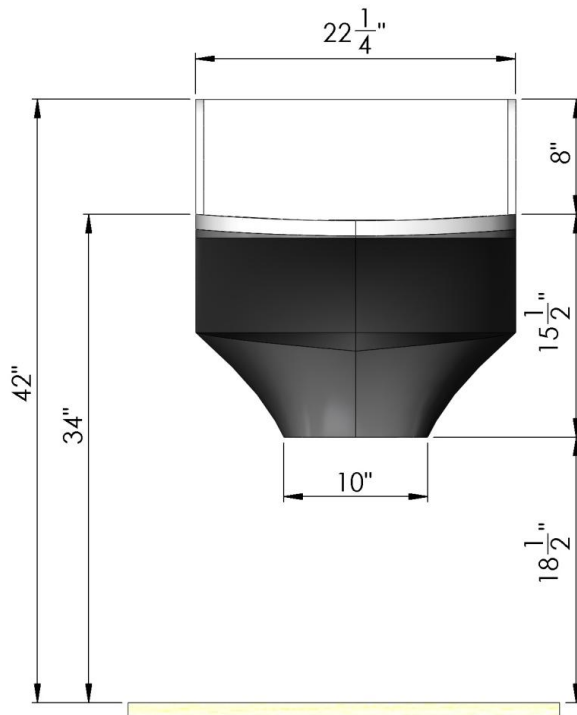


ICSD

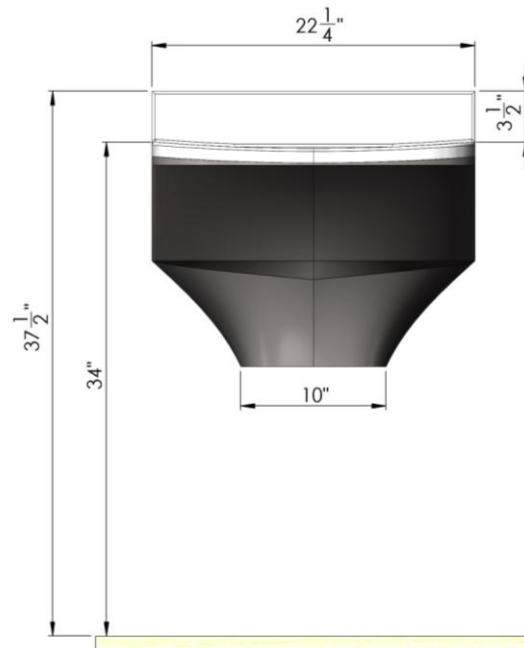


PRSD

Front View



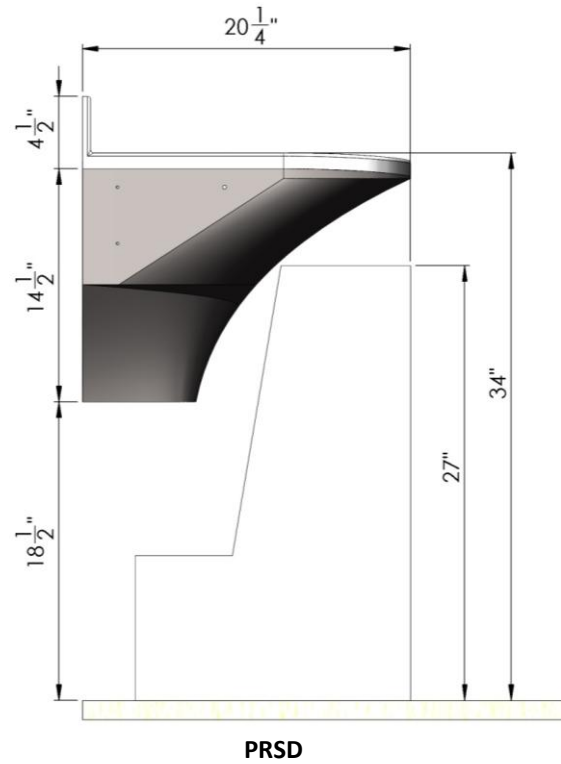
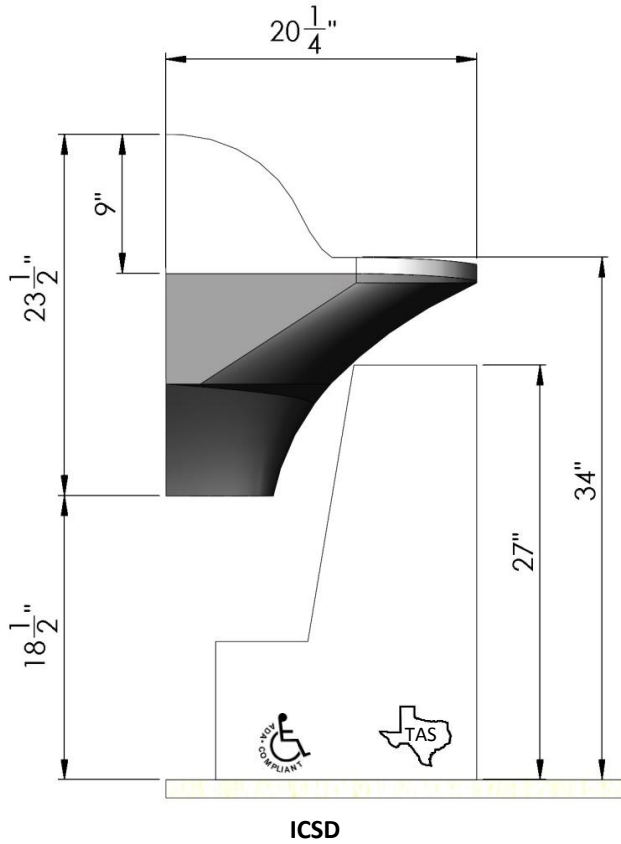
ICSD



PRSD

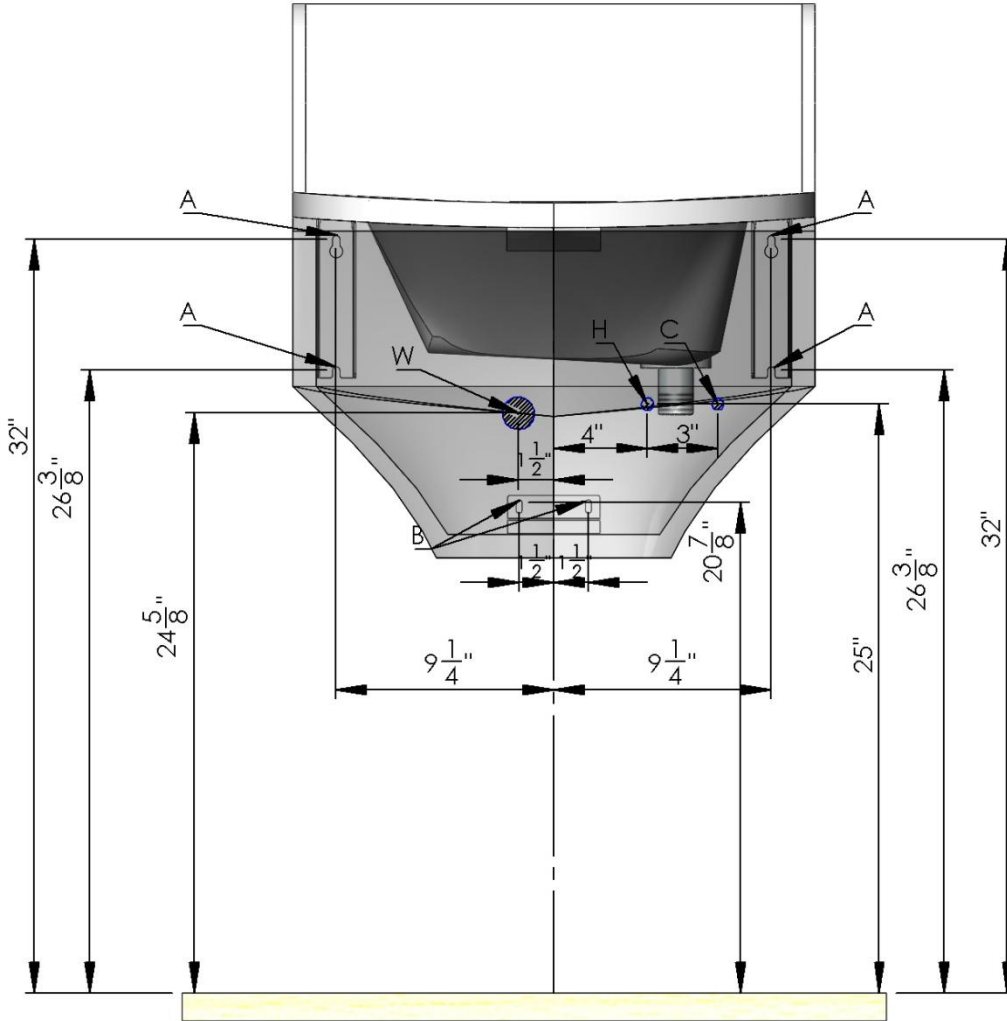
Installation

Side View – Mounted at Standard ADA Height



Installation

Rough-in Dimensions for ICSD



* All vertical measurements are measured from the FINISHED floor

Code	Description
A	1/4" Anchors for countertop with a pull out strength of min. 1000 lbs.
B	1/8" Anchors for skirt
W	1 1/2" NPT Drain, stub out 2"
C	1/2" copper tubing for cold supplies, stub out 2" from wall
H	1/2" copper tubing for hot supplies, stub out 2" from wall

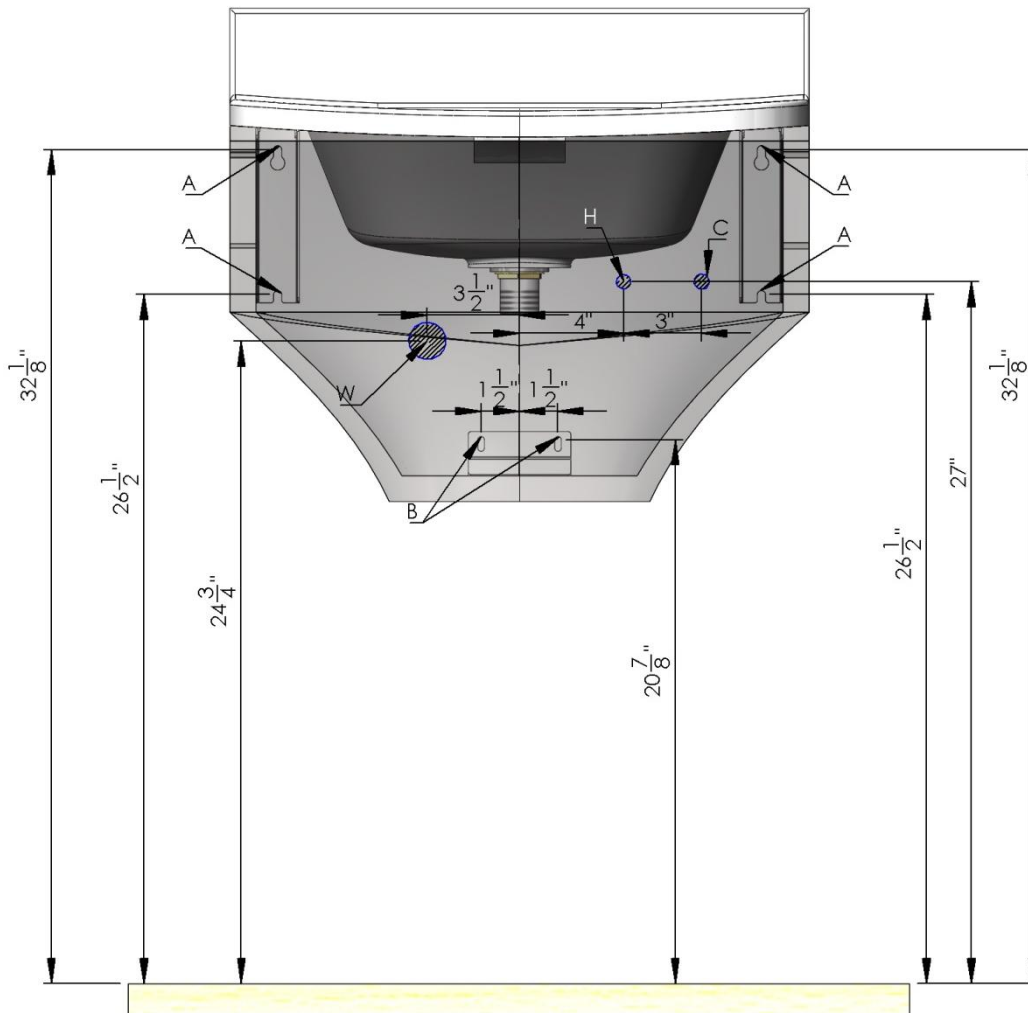
Height Adjustments

Standard	Rim Height	Adjustment of height for A, B, C, H, R & W
ADA & TAS Adult	34"	None

Rough-in Dimensions for ICSD

Installation

Rough-in Dimensions for PRSD



All vertical measurements are measured from the FINISHED floor

*

Code	Description
A	1/4" Anchors for countertop with a pull out strength of min. 1000 lbs.
B	1/8" Anchors for skirt
W	1 1/2" NPT Drain, stub out 2"
C	1/2" copper tubing for cold supplies, stub out 2" from wall
H	1/2" copper tubing for hot supplies, stub out 2" from wall

Height Adjustments

Standard	Rim Height	Adjustment of height for A, B, C, H, R & W
ADA & TAS Adult	34"	None

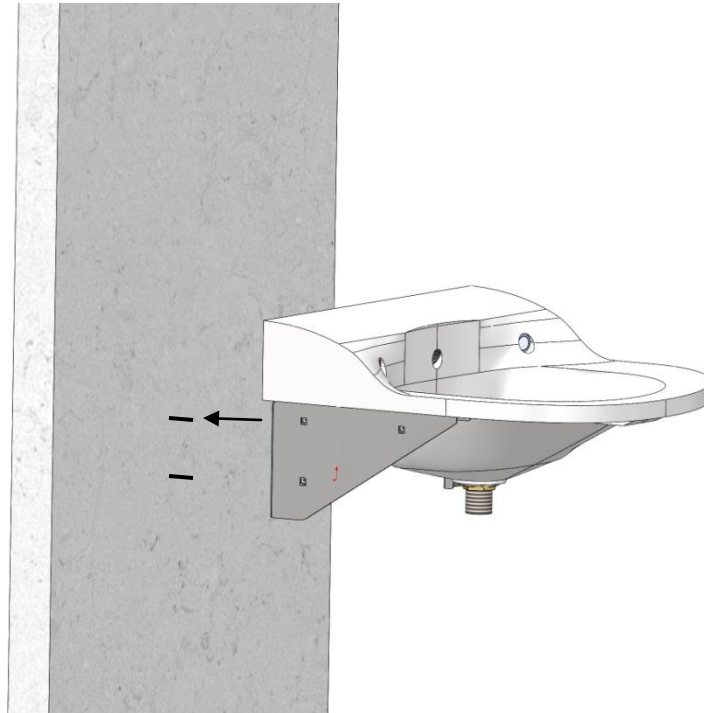
Installation

Step 1: Rough-in

- a. Rough in the ½” copper supply tubing through the wall at the locations marked with **H** and **C** on the rough-in drawing on page 4.
- b. Rough in the 1 ½” drain connection through the wall at the location marked with **W** on the drawing on page 4.
- c. When using the hardwire option plug-in transformer(s): rough in the GFCI electrical outlet at the location marked with **R** on the drawing on page 4.
- d. Install four 1/4” anchors on the locations marked with **A** on the drawing on page 4. The anchors should have a pull-out strength of 1000 lbs.
- e. Install four 1/8” anchors on the locations marked with **B** on the drawing on page 5. The anchors should have a pull-out strength of 1000 lbs.

Installation

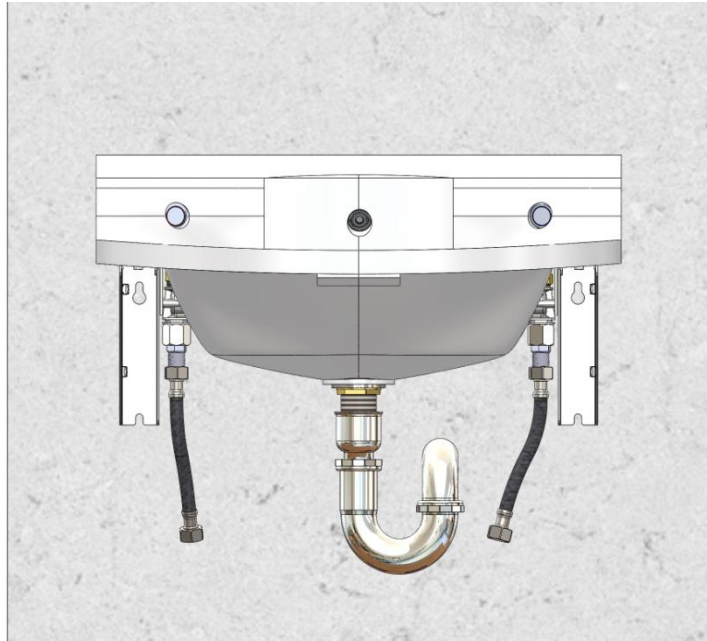
Step 2: Attach the bowl to the wall



- a. Attach the bowl to the wall. Slide the mounting brackets over the anchors sticking out of the wall.
- b. Make sure that the anchors have a pull out strength of 1000 lbs.**
- c. Anchor the bowl to the wall.
- d. If you have faucets to install: now is the moment to install the faucet on the deck and make the water connections.

Installation

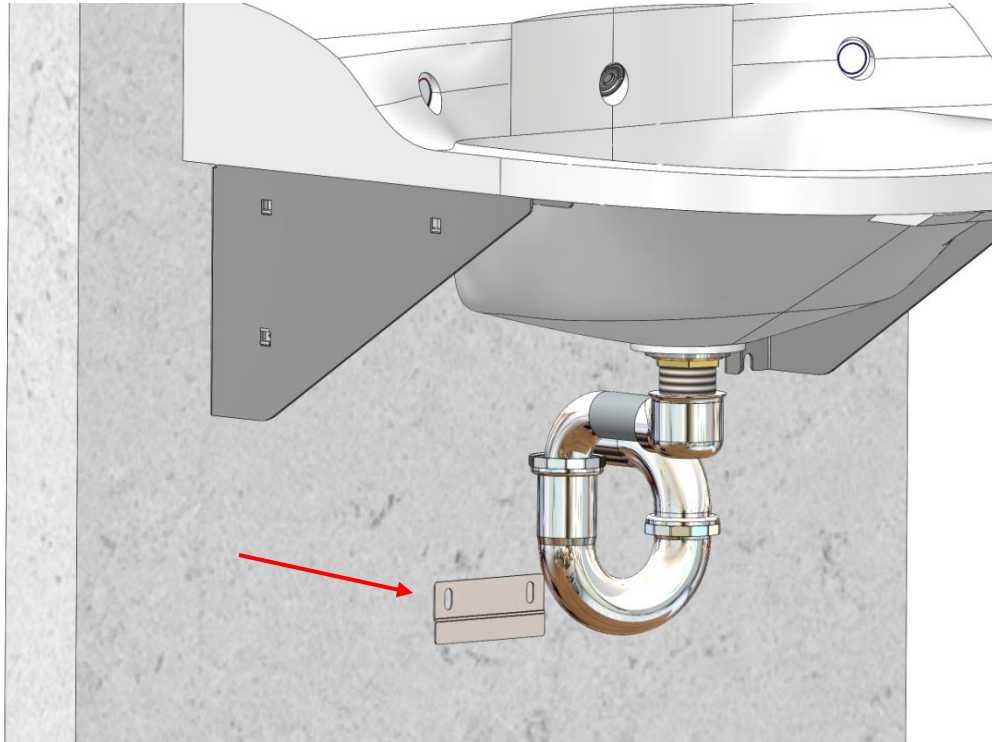
Step 3: Connect supply(ies) and drain



- a. Connect the p-trap (supplied by others) to the lavatory and to the stub out in the wall.
- b. Connect the supplies to the hot and/or cold manifold of the sink (flexible supplied by others).

Installation

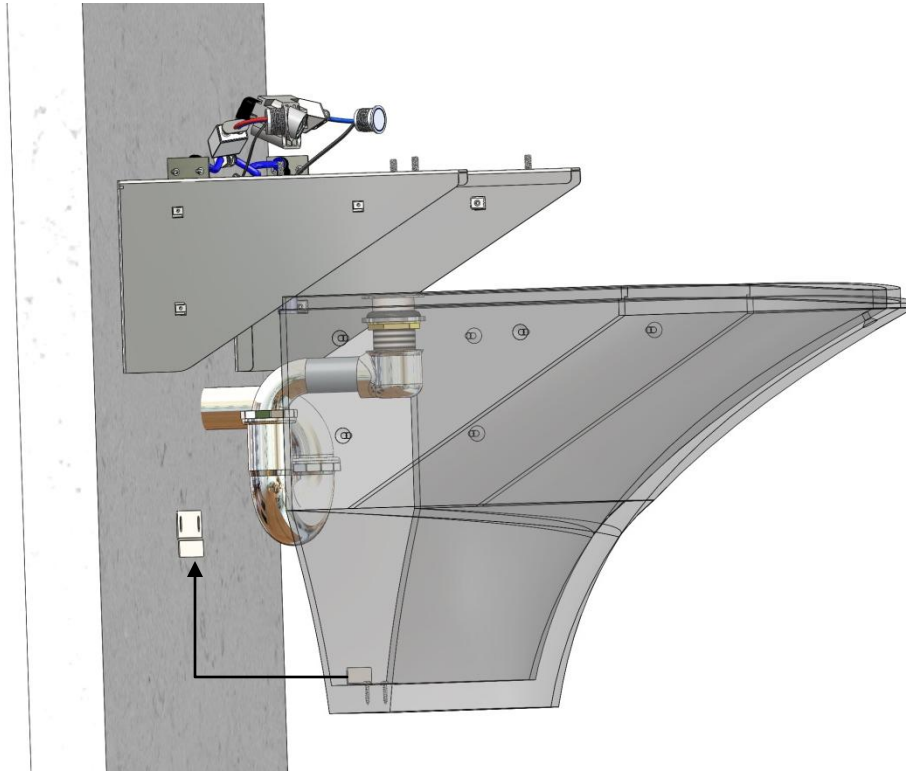
Step 7: Install the skirt bracket



- a. Install the skirt bracket at the height specified in the rough-in on page 4.

Installation

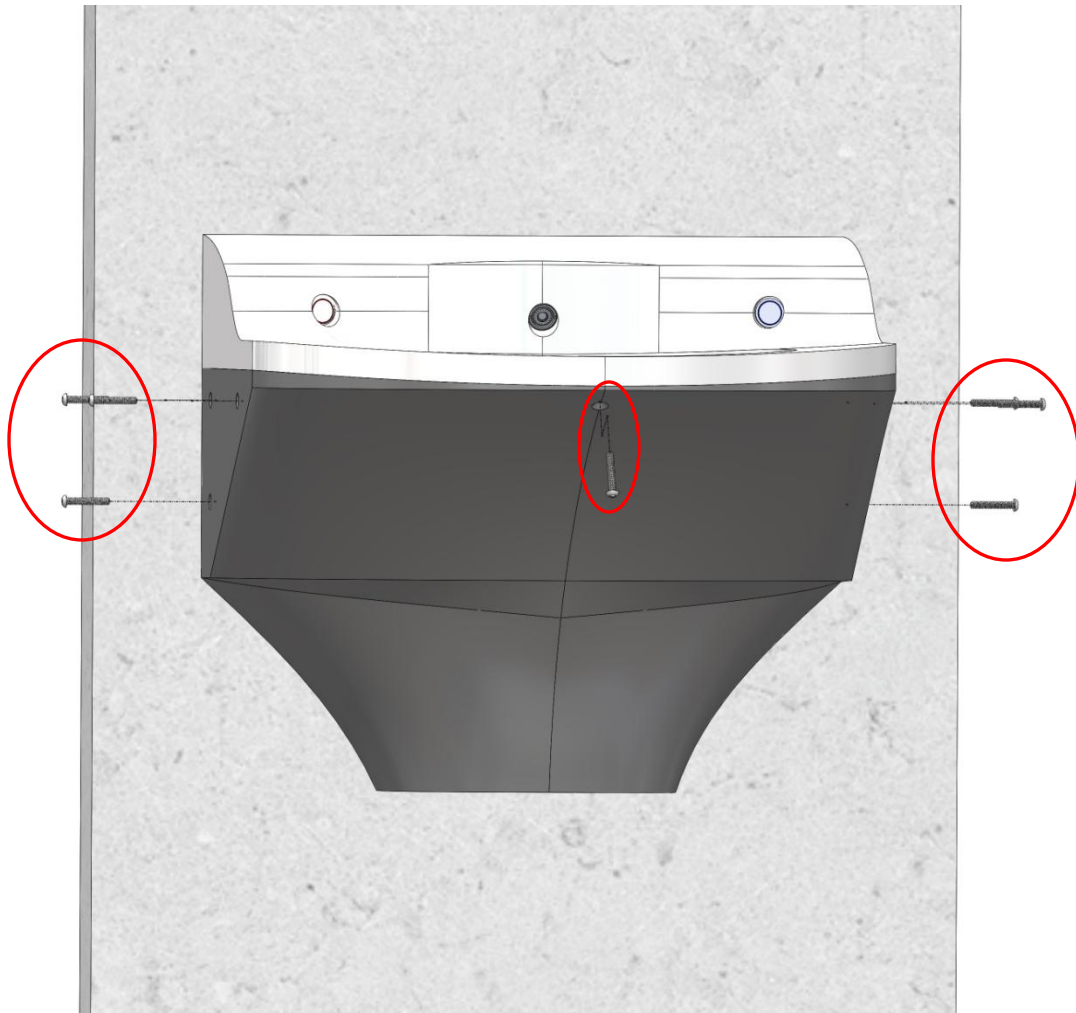
Step 8: Position the skirt under the bowl



- a. Position the skirt under the bowl so that the L-bracket on the bottom of the skirt slides under the skirt bracket that's already mounted on the wall.

Installation

Step 9: Attach the skirt to the bowl & mounting brackets



- Align the holes in the skirt with the holes of the cage nuts in the mounting brackets.
- Attach the skirt to the mounting brackets with 3 screws on each side.
- Attach the skirt to the bowl with one screw to the front of the bowl.
- Make sure the screws are tight and cannot be removed.

Installation

Maintenance

Solidsan[®] bowl and side panels

Solidsan[®] is a solid surface material made of acrylic modified polyester resins, aluminum trihydrate fillers and color granules. This synthetic compound material has an elegant granite-like appearance. Solidsan[®] is not only virtually indestructible and easy to maintain, but equally matches perfectly from an aesthetic viewpoint, this resulting in a remarkable design with soft, rounded shapes, ideal for the public washroom.

- Daily care: wipe the surface with soapy water or a damp cloth.
- Surface staining: clean the surface with soapy water or ammonia based cleansers.
- Stubborn stains and superficial scratches: clean the surface with an abrasive cleanser and a wet sponge. You can also use a green Scotch Brite[®] pad.
- Stubborn scratches: sand with 400 grit sandpaper and then clean with an abrasive cleanser and a green Scotch Brite[®] pad.
- AVOID contact with harsh chemicals such as drain cleansers and paint removers.
- AVOID contact with hot pots or heat producing appliances.