

CRR Drains

303070XN/303077XN

Crocodile Roll Resistant Drain

| Capacity | Technical | Certification | Compatibility |
|---|-----------|-------------------------------------|--|
| @ 0.79 inH2O - 7.13 gpm @ 1.18 inH2O - 7.29 gpm @ 1.57 inH2O - 8.40 gpm | 3" NPSM | ASME A112.18.2 CSA B125.2 (2011) | Mifab F1000 series Josam 30000 series JR Smith 2000 series Watts FD100 series Zurn Z415 & Z2321 Series Wade 1100,1120, 1121 and 1140 series |

Description

The ATS 5200.040 approved 304 stainless steel round Safe-Cell® Crocodile Roll Resistant (CRR) floor drain has been designed to minimize the risk of self-harm and suicide using a technique called the "Crocodile Roll". The clever design features also help provide protection against the concealing of contraband

Features

- Designed for behavioral healthcare facilities, custodial facilities, prisons, ad holding cells to reduce the risk of suicide and self harm and the hiding of contraband
- Unique dual ring design to maximize drainage of water supply
- The 303077X is specially designed for vinyl flooring with a lock down flange to mechanically clamp down the vinyl to increase the longevity of the flooring provided, and reduce any trip hazard in the bathroom environment.

Adapter Bushings

Anodized aluminum bushings are available to make the drain fit into drain bodies from Josam, JR Smith, Wade, Mifab and Zurn.

Maintenance and Cleaning

Galvin by AquaDesign products should be cleaned with a soft damp cloth using only mild liquid detergent or soap and water. Do not use cleaning agents containing a corrosive acid, scouring agent or solvents. Do not use cream cleaners, as they are abrasive. Use of unsuitable cleaning agents may damage the surface. Any damage caused in this way will not be covered by warranty.

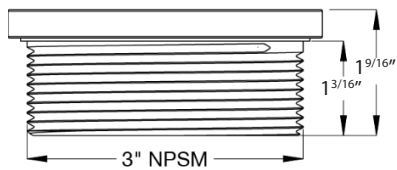
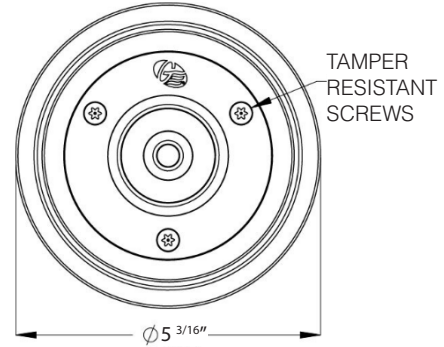
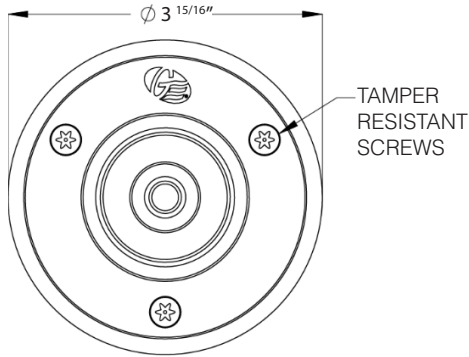
Regular maintenance should be carried out in accordance with the installation and troubleshooting guides provided with the product, relevant standards, local authorities and state codes

| | | |
|--------------------------|---|--|
| 001 | Base Model Number (must specify) | |
| <input type="checkbox"/> | 303070XN | Crocodile Roll resistant Floor Drain |
| <input type="checkbox"/> | 303077XN | Crocodile Roll resistant Floor Drain for Vinyl Flooring |
| 002 | Compatibility (must specify) | |
| <input type="checkbox"/> | - | Wade 1100,1120, 1121 and 1140 series |
| <input type="checkbox"/> | -JO | Josam 30000 series |
| <input type="checkbox"/> | -JR | JR Smith 2000 series |
| <input type="checkbox"/> | -ZU | Zurn Z415 & Z2321 series, Watts FD100 series, Mifab F1000 series |

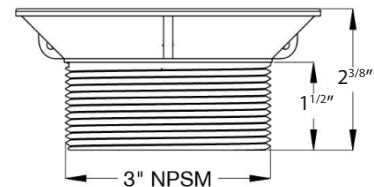


WARNING: Cancer and Reproductive Harm
www.P65Warnings.ca.gov

Dimensions

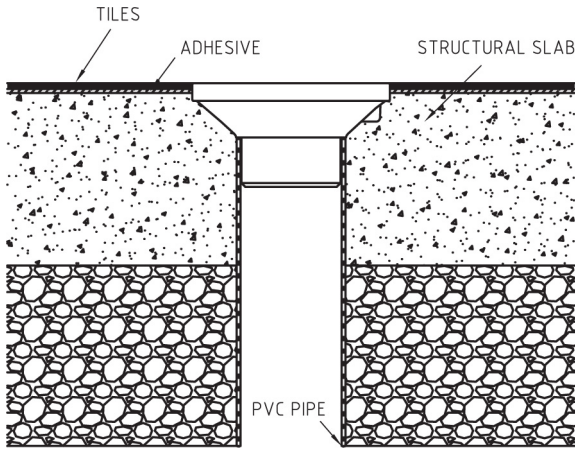


303070XN

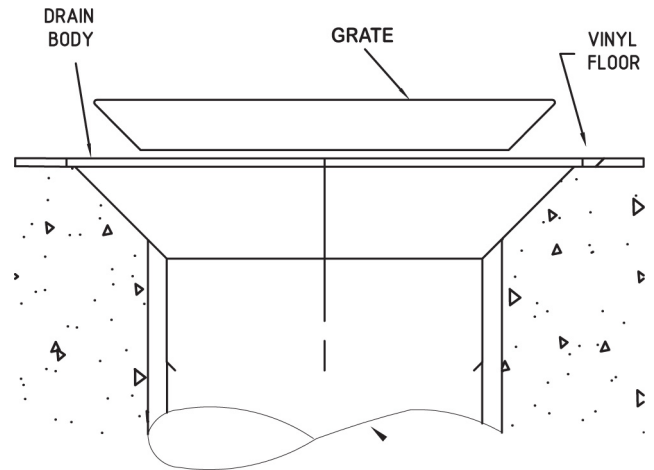


303077XN

Typical Installations



303070XN



303077XN

In the absence of a legal or industry definition of anti-ligature or ligature resistant products, when we use these terms, we are referring to products that are designed and manufactured with the intention of reducing the risk of ligature attachment to the product(s). PSD LLC will always endeavor to design and test our anti-ligature product(s) to reduce the risk of product ligature attachment that may result in serious injury or death. Whilst all reasonable measures are taken at the time of design, the anti-ligature design of the products are not intended to and will not:

- a. Replace protective measures that need to be taken in the specific circumstances of usage;
- b. Substitute the need for supervision of those who may be at risk;

- c. Protect and or prevent those at risk against any self-harm instances that may occur when installed; and
- d. Protect and or prevent injury when the risks where unknown to us at the time of the design of the product(s).

PSD LLC does not offer and does not represent or warrant that any product(s) for sale that are ligature-free. Therefore, PSD LLC will not be liable for any claims, loss, or damages arising from ligature attachment on our products. It is the purchaser's responsibility to ensure that products purchased and installed are suitable for the environments in which they are installed, and suitable supervision and protective measures are in place to protect those at risk. Whilst all reasonable care has been taken in compiling the information in this document, the designs, dimensions and products shown are indicative only and should not be relied upon without our prior approval. Due to our policy of continuous development, we reserve the right to alter any details of specifications or products without notice. All information, drawings, technical specifications and product designs remains the property of PSD LLC.