



ALSA180 Series

ALSA

Behavioral Healthcare Lavatory

Dimensions	Water Use	Certifications	Technical	Barrier Free
15 ^{7/8} " x 20 ^{5/8} " x 17 ^{1/2} "	0.5 gpm Laminar	ISO EN 19712-3-2007 - Rated 5 UK Ministry of Justice Safer Cell Approval BREEAM Rated	Drain: 1 ^{1/4} " Supplies: 1/2" NPTF	Not Compliant

Material & Construction

The ALSA wash basin is cast as a single piece solid surface and includes an integral faucet head. It is ligature resistant and highly vandal resistant which makes it perfectly suited for behavioral healthcare and penal applications.

The ALSA wash basin comes with hidden activations and is intended for through the wall, rear fixing, installation.

Water can be activated by dual electronic piezo touch buttons, or infrared sensors. The water is dispensed via a hot and cold aerated outlet or via a single tempered/cold water outlet.

Standard Equipment

Fixture in solid surface material, steel mounting hardware, solenoid and activation controls, and aerators. The water management controller needs to be ordered separate.

Water Management

The water is most effectively managed by Wallgate by Intersan's comprehensive WDCA range of electronic controllers in conjunction with the piezo or sensor activation of the ALSA wash basin.

The electronic controllers include timed flow, flow regulators and lockout programs. Flow restrictors ensure that the flow of water is precisely regulated allowing to contribute to LEED credits.

LEED Compliance

When supplied with AquaDesign's faucets, The ALSA180 contributes to meeting LEED requirements in the following categories:

- WEp1 - Water Efficiency
- WEc3 - Water Use Reduction

The nozzles have a flow rate of 0.5 gpm.


Application



The ALSA180 is not to be used to dispense water for human consumption either by drinking or use in the preparation of food or beverages.

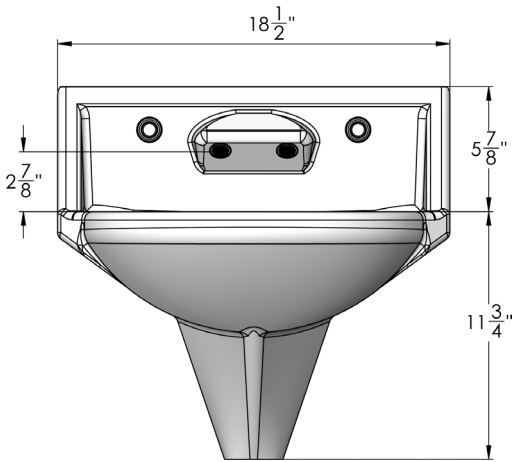
SAMPLE SPECIFICATION

Fixture shall be AquaDesign ALSA180 single user hand wash station. Bowl and integral skirt are made from anti-microbial solid surface. The unit is activated by piezo touch button/sensor.

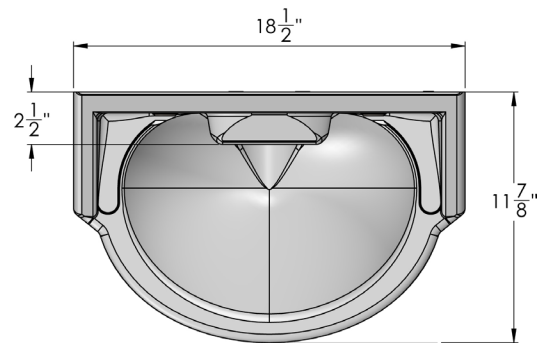


WARNING: Cancer and Reproductive Harm
www.P65Warnings.ca.gov

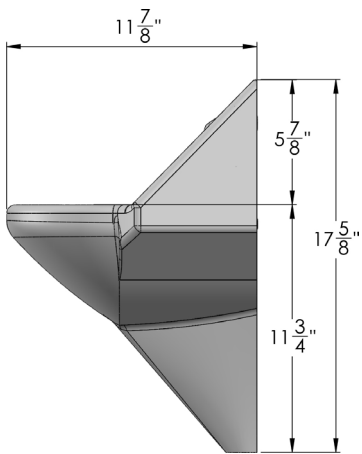
Front View



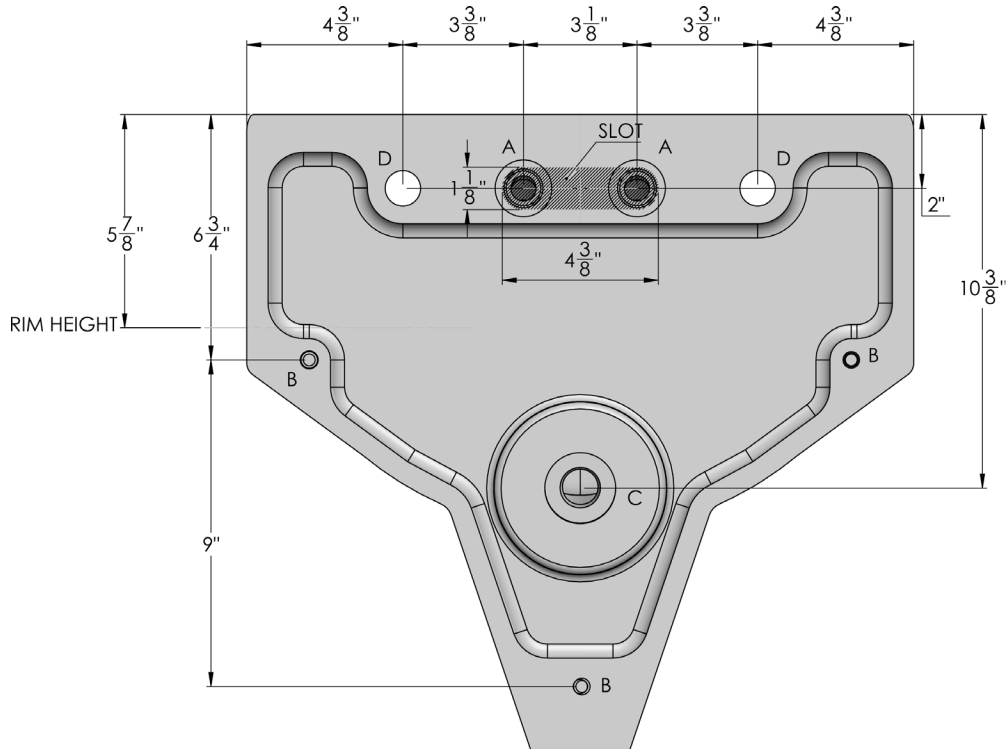
Top View



Side View



Rough-In Dimensions

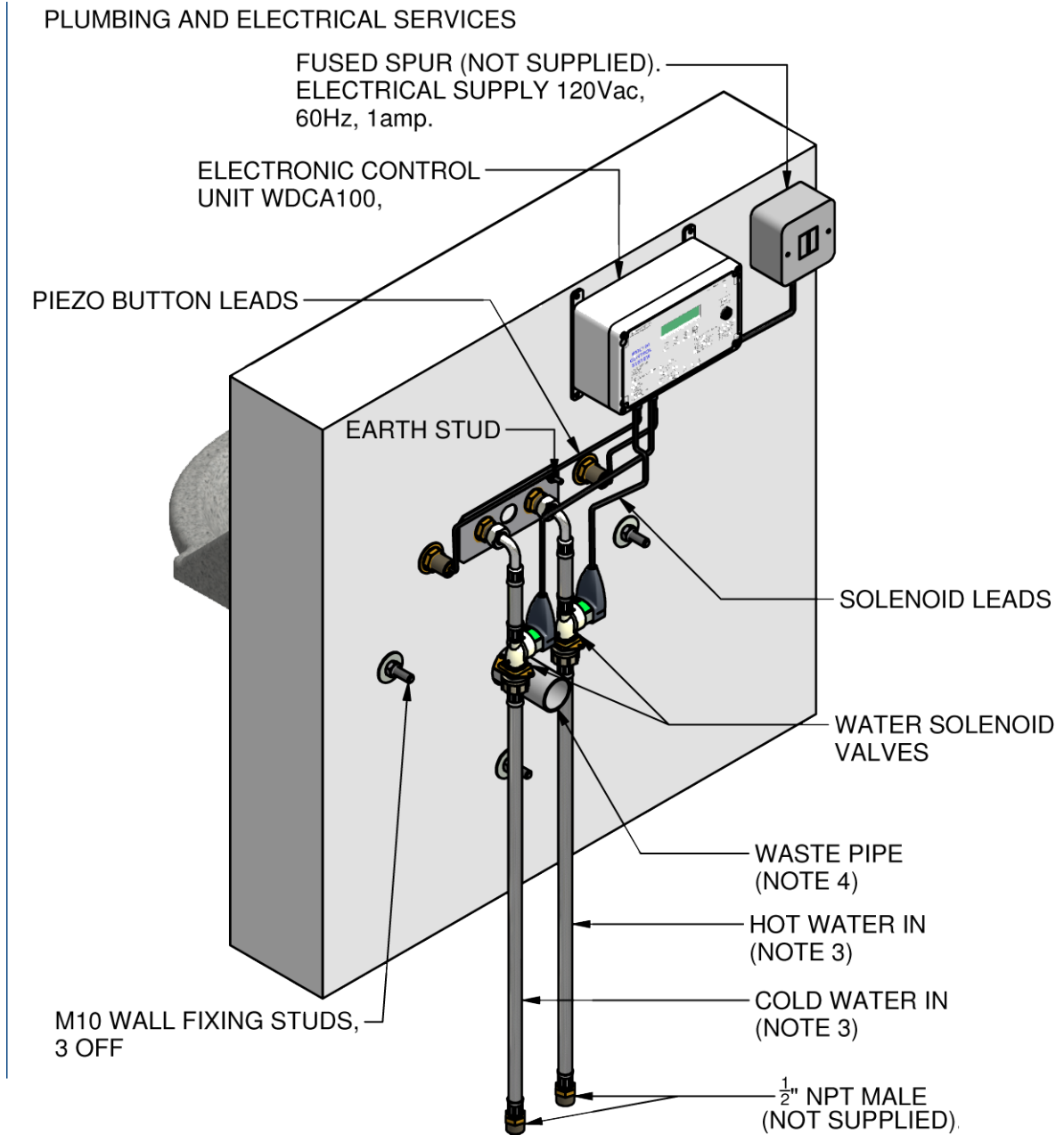


- (A) Slot for water pipes: $1\frac{3}{16}" \times 4\frac{11}{32}"$ (alternatively on or two holes of $\frac{1}{8}"$ to $\frac{3}{16}"$)
- (B) Holes for mounting lavatory: $\frac{9}{16}"$ to $\frac{13}{16}"$
- (C) Opening for drain: $\frac{3}{4}"$ (the wall hole size specified here for the waste pipe allows enough clearance for a pipe fall of 1°).
- (D) Opening for push buttons: $\frac{1}{8}"$ to $\frac{3}{16}"$.

Notes:

1. Electrical receptacle must be wired to a GFCI protected circuit. Fixture must be earth grounded.
2. Consult local electrical code for need and use of extra electrical conduit box.

Typical Installation



001	Base Model Number (must specify)	
<input type="checkbox"/>	ALSA	Behavioral Healthcare Lavatory
002	Operation (must specify)	
<input type="checkbox"/>	-180W	Dual Outlets, Touch Button Activation
<input type="checkbox"/>	-180W-IR	Dual Outlets, Sensor Activation
<input type="checkbox"/>	-181W-IR	Single Outlet, Touch Button Activation
<input type="checkbox"/>	-181W-IR	Single Outlet, Sensor Activation
003	Color	
<input checked="" type="checkbox"/>		Polar White
004	Options	
<input type="checkbox"/>	-WDCA100	Electronic Water Control (4 valves, 1 room)
<input type="checkbox"/>	-WDCA200	Electronic Water Control (8 valves, 2 rooms)

In the absence of a legal or industry definition of anti-ligature or ligature resistant products, when we use these terms, we are referring to products that are designed and manufactured with the intention of reducing the risk of ligature attachment to the product(s). Wallgate and PSD LLC will always endeavour to design and test our anti-ligature product(s) to reduce the risk of product ligature attachment that may result in serious injury or death. Whilst all reasonable measures are taken at the time of design, the anti-ligature design of the products are not intended to and will not:

- a. Replace protective measures that need to be taken in the specific circumstances of usage;
- b. Substitute the need for supervision of those who may be at risk;
- c. Protect and or prevent those at risk against any self-harm instances that may occur when installed; and
- d. Protect and or prevent injury when the risks where unknown to us at the time of the design of the product(s).

PSD LLC does not offer and does not represent or warrant that any product(s) for sale that are ligature-free. Therefore, PSD LLC will not be liable for any claims, loss, or damages arising from ligature attachment on our products. It is the purchaser's responsibility to ensure that products purchased and installed are suitable for the environments in which they are installed, and suitable supervision and protective measures are in place to protect those at risk. Whilst all reasonable care has been taken in compiling the information in this document, the designs, dimensions and products shown are indicative only and should not be relied upon without our prior approval. Due to our policy of continuous development, we reserve the right to alter any details of specifications or products without notice. All information, drawings, technical specifications and product designs remains the property of PSD LLC.

All information including dimensions, changes in design and material are subject to manufacturer's change without formal notice and without obligation. AquaDesign assumes no responsibility for use of superseded or voided information. Verify all rough-in information before installation. It is the responsibility of the installer to conform with local and national codes.