

# Flotronic Shower Pan

FLOT3636ADA

## ADA Compliant Shower Pan

Dimensions	Material	Technical	Barrier Free
39" x 39" x 5 1/2"	Anti-microbial Solid Surface	Allows for 3" strainer	ADA TAS

### Material and Construction

The shower pan is made from anti-microbial solid surface. Intersan's solid surface is a composite material of acrylic polyester polymer resins and aluminum trihydrate fillers. The material is resistant to stains and burns and complies with ANSI Z124.3. The shower pan is available in 11 colors.

The shower includes a slip resistant textured pattern floor. The shower pan includes an integral water dam. The pan has a minimum of 1/4" per foot slope. The slope is specifically designed to slope away from the shower entrance.

### ADA

The shower pan complies with ADA requirements for thresholds. The shower pan has an integral short wheelchair ramp for wheelchair access.

### Anti-Microbial

The shower pan is manufactured with an anti-microbial agent. The agent is present both on the surface and on the inside of the material and will not dissipate or scratch off. In contact with moisture, anti-microbial ions will be released and effectively kill bacteria.

### Maintenance and Cleaning

Stubborn stains and superficial scratches can be cleaned with an abrasive cleaner and a wet sponge. You can also use a green Scotch Brite® pad. For surface staining soapy water or ammonia based cleansers are recommended.

### Anti-ligature Drain

As an option the shower pan can be supplied with an anti-ligature drain. The drain can be supplied with bushing for installation on drain bodies by other.

001	<b>Base Model Number</b> (must specify)	
	<input type="checkbox"/>	FLOT3636ADA
002	<b>Color</b> (must specify)	
	<input type="checkbox"/>	-AB Adobe Brown
	<input type="checkbox"/>	-AW Ash White
	<input type="checkbox"/>	-BF Black Forrest
	<input type="checkbox"/>	-CO Concrete Grey
	<input type="checkbox"/>	-ES Egyptian Sand
	<input type="checkbox"/>	-MB Midnight Blue
	<input type="checkbox"/>	-MG Misty Grey
	<input type="checkbox"/>	-PB Pearl Black
	<input type="checkbox"/>	-PW Polar White
	<input type="checkbox"/>	-SA Sandstone
	<input type="checkbox"/>	-TG Twilight Grey
003	<b>Drain</b>	
	<input type="checkbox"/>	-303077XN Anti-ligature Drain
004	<b>Drain Options for Anti-Ligature Drain</b>	
	<input type="checkbox"/>	-JO Bushing for Josam 30000 series
	<input type="checkbox"/>	-JR Bushing for JR Smith 2000 series
	<input type="checkbox"/>	-ZU Bushing for Zurn Z415 & Z2321 series, Watts FD100 series, and Mifab F1000 series

### Approved by:

Name: \_\_\_\_\_

Title: \_\_\_\_\_

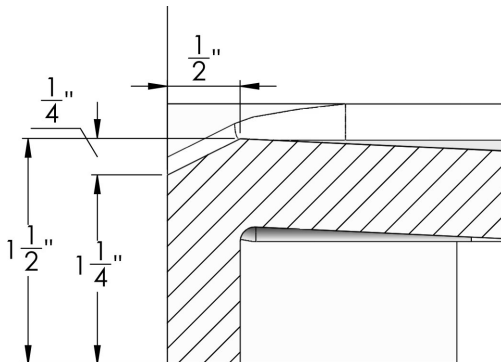
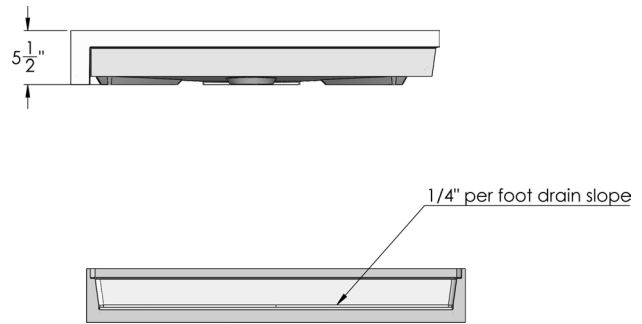
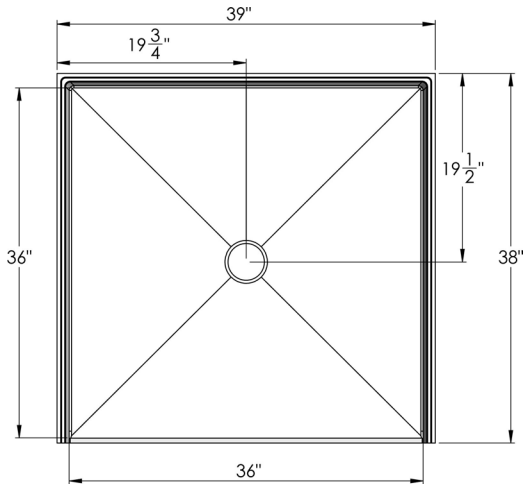
Signature: \_\_\_\_\_

Date: \_\_\_\_\_



**WARNING:** Cancer and Reproductive Harm  
www.P65Warnings.ca.gov

Dimensions



Threshold  
(not to scale)

In the absence of a legal or industry definition of anti-ligature or ligature resistant products, when we use these terms, we are referring to products that are designed and manufactured with the intention of reducing the risk of ligature attachment to the product(s). Galvin Engineering Pty Ltd will always endeavour to design and test our anti-ligature product(s) to reduce the risk of product ligature attachment that may result in serious injury or death. Whilst all reasonable measures are taken at the time of design, the anti-ligature design of the products are not intended to and will not:

- a. Replace protective measures that need to be taken in the specific circumstances of usage;
- b. Substitute the need for supervision of those who may be at risk;
- c. Protect and or prevent those at risk against any self-harm instances that may occur when installed; and
- d. Protect and or prevent injury when the risks where unknown to us at the time of the design of the product(s).

Galvin Engineering Pty Ltd and PSD LLC do not offer and do not represent or warrant that any product(s) for sale that are ligature-free. Therefore, Galvin Engineering and PSD LLC will not be liable for any claims, loss, or damages arising from ligature attachment on our products. It is the purchaser's responsibility to ensure that products purchased and installed are suitable for the environments in which they are installed, and suitable supervision and protective measures are in place to protect those at risk.

Whilst all reasonable care has been taken in compiling the information in this document, the designs, dimensions and products shown are indicative only and should not be relied upon without our prior approval. Due to our policy of continuous development, we reserve the right to alter any details of specifications or products without notice. All information, drawings, technical specifications and product designs remains the property of Galvin Engineering Pty Ltd.