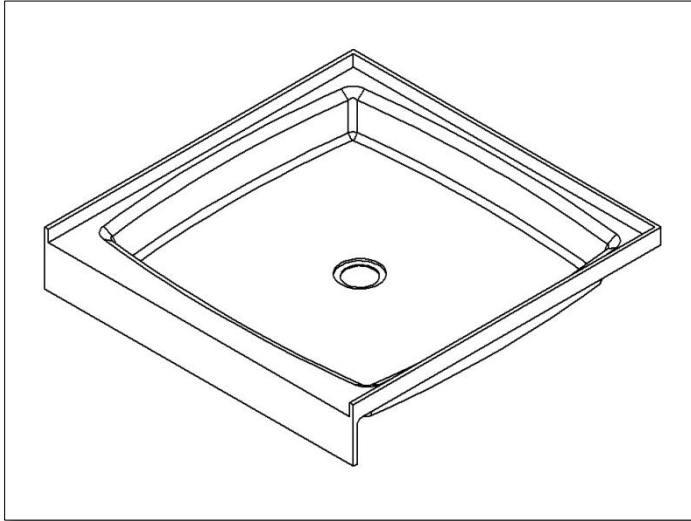


Installation



Installation Instructions for models:

FLOT3636

FLOT6036

FLOT4836

FLOT3636RC

FLOT3636NC

FLOT4242NC

IMPORTANT

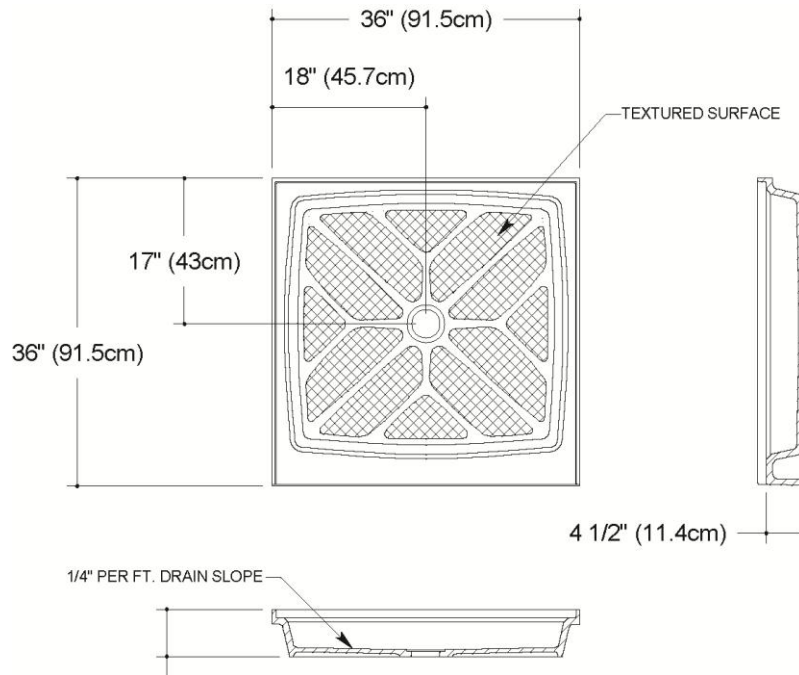
- Read instructions entirely prior to installation.
- Units should always be installed according to local plumbing codes.

Flotronic[®] Shower Pan Installation

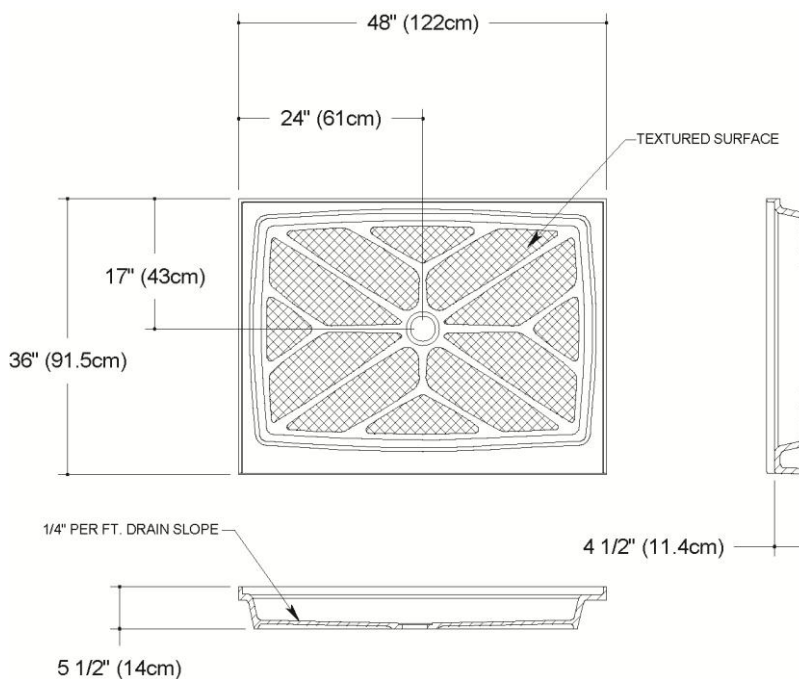


Dimensions

FLOT3636



FLOT4836

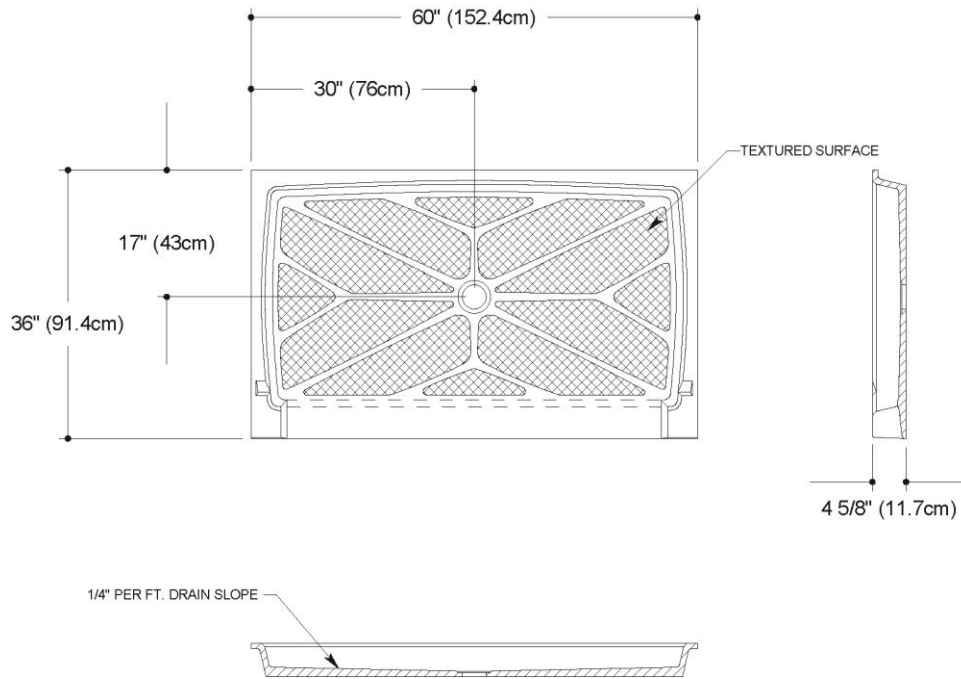


Flotronic® Shower Pan Installation

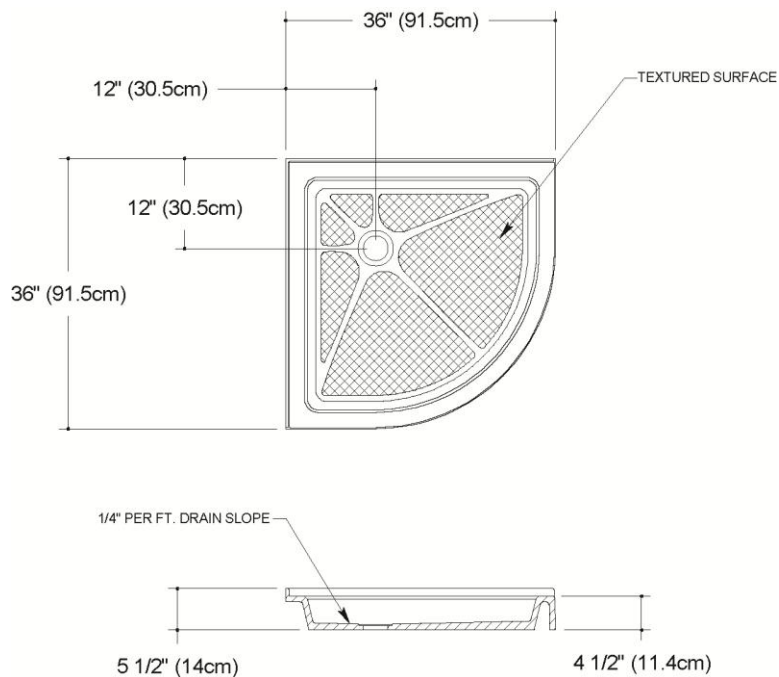


Dimensions Continued

FLOT6036



FLOT3636RC

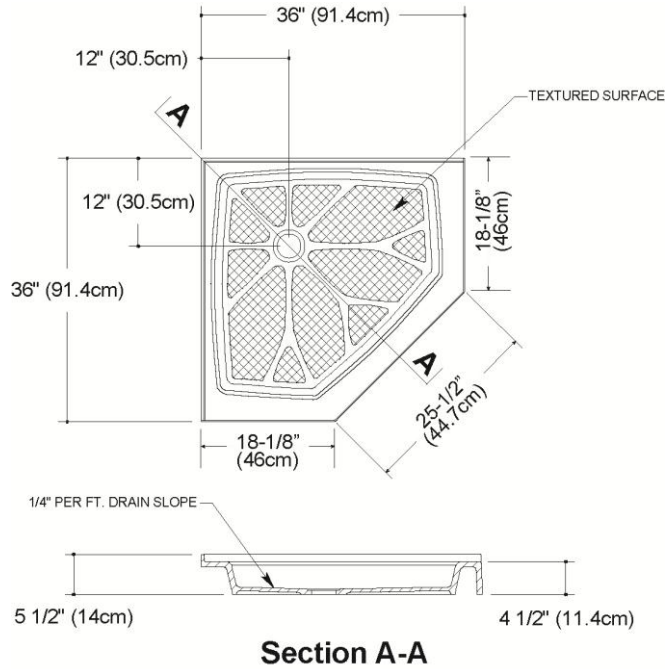


Flotronic® Shower Pan Installation

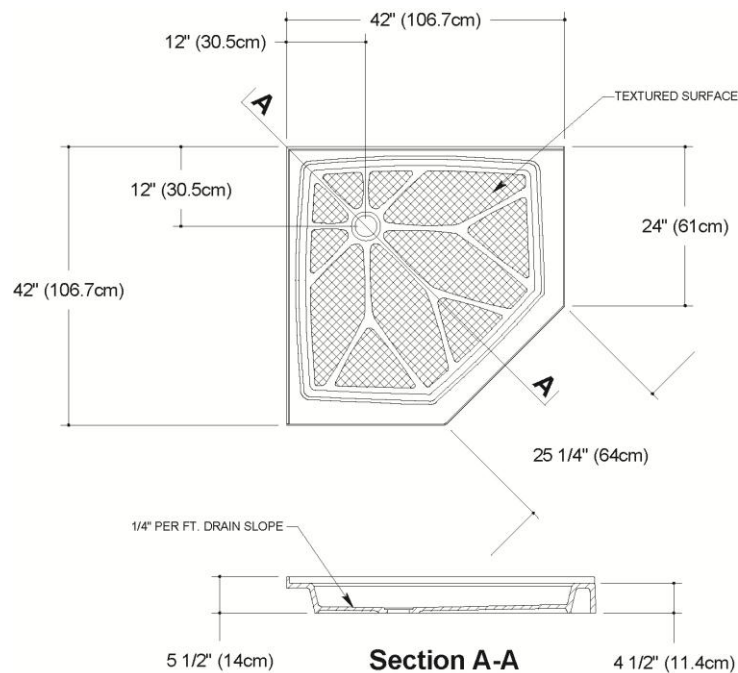


Dimensions Continued

FLOT3636NC

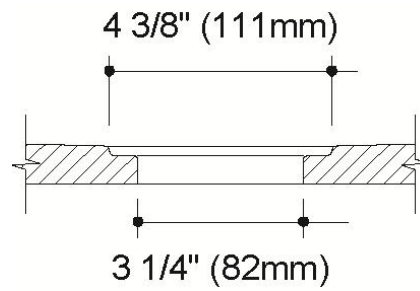


FLOT4242NC

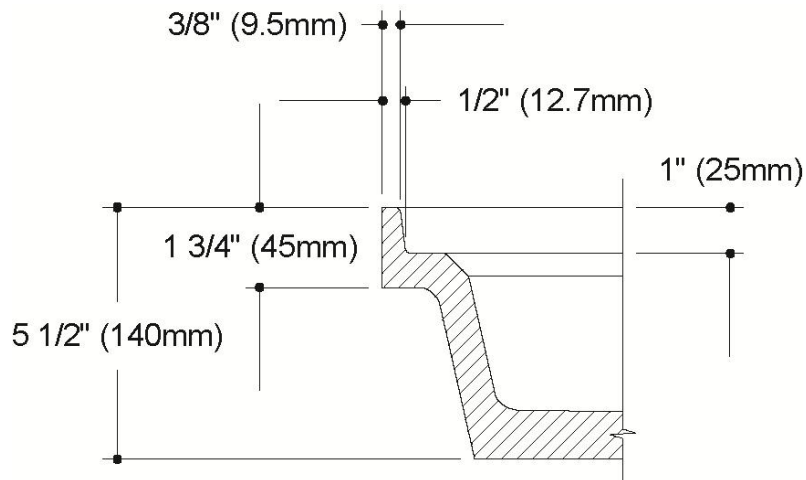


Dimensions Continued

Drain Opening



Threshold

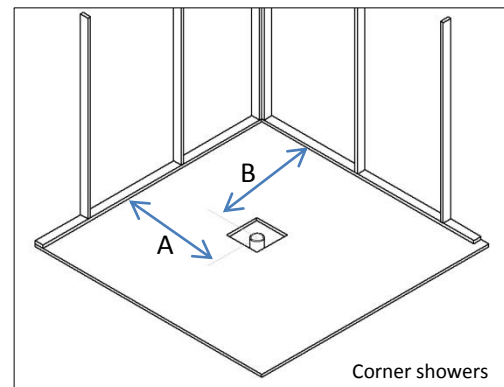
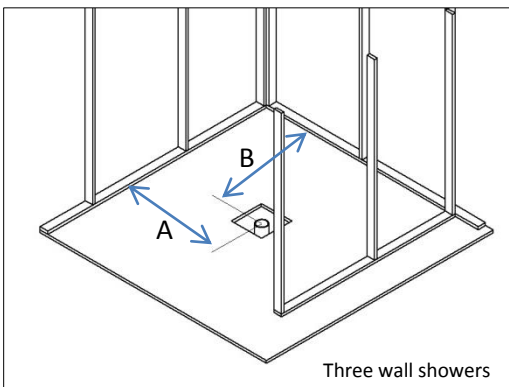


Installation Instructions

Step 1: Preparing Installation Site

- a. Remove the shower pan from its packaging and inspect the pan for damage.
- b. Clean the floor of the alcove where the shower pan will be installed.
- c. Measure the size of the alcove to insure that the pan will fit properly. Make sure the wall studs are plumb.
- d. The drain assembly will need a 2" PVC waste pipe supplied by the installer. This waste pipe should extend above the sub-floor for minimum ¼" and maximum ¼".
- e. Rough-in the drain location according to the chart below:

Model Number	"A"	"B"
FLOT3636	17"	18"
FLOT4836	17"	24"
FLOT6036	17"	30"
FLOT3636RC	12"	12"
FLOT3636NC	12"	12"
FLOT4242NC	12"	12"



- f. Trial fit the pan in the alcove to make sure that the drain location lines up with the shower pan. In a three wall application there should be approximately 1/16" to 1/4" between the shower pan and the studs. Place a level on the pan to check that the pan sits level on the floor. If needed, use shims to level the pan in the alcove. Note the shim location before removing the pan.
- g. Remove the pan from the alcove.

Step 2: Installing the Pan

- a. Install the drain fitting into the shower pan. Plumber's putty or silicone are acceptable to use with the drain.
- b. Mix and apply thin-set mortar to the floor. Spread the mixture to achieve a depth necessary to fill the voids in the floor and enable the pan to sit level. All supporting points of the shower pan should have contact with the thin-set mortar.
- c. After applying the thin-set, replace the shims in the proper location and set the pan into place. Make sure the pan is resting level. Install the strainer.
- d. Clean the area at the threshold of any excess thin-set. Allow the thin-set to cure for 24 hours before working in the pan area.
- e. Before proceeding, flood test the shower pan for proper drainage.
- f. Be sure to protect the pan floor area after installation, using card board sheeting or similar material. Put tape over the strainer to prevent debris from entering the drain.

Maintenance

Solidsan[®] Shower Pan

Solidsan[®] is a solid surface material made of acrylic modified polyester resins, aluminum trihydrate fillers and color granules. This synthetic compound material has an elegant granite-like appearance. Solidsan[®] is not only virtually indestructible and easy to maintain, but equally matches perfectly from an aesthetic viewpoint, this resulting in a remarkable design with soft, rounded shapes, ideal for the public washroom.

- Daily care: wipe the surface with soapy water or a damp cloth.
- Surface staining: clean the surface with soapy water or ammonia based cleansers.
- Stubborn stains and superficial scratches: clean the surface with an abrasive cleanser and a wet sponge. You can also use a green Scotch Brite[®] pad.
- Stubborn scratches: sand with 400 grit sandpaper and then clean with an abrasive cleanser and a green Scotch Brite[®] pad.
- AVOID contact with harsh chemicals such as drain cleansers and paint removers.
- AVOID contact with hot pots or heat producing appliances.