

## Behavioral Healthcare Accessories

Model: LRIWS



## Product Manual

## 1. Package Contents

Before you begin installation, make sure you have the following items:

- » LRIWS-shelf
- » Four (4) #6-32 tamper resistant screws
- » Instructions



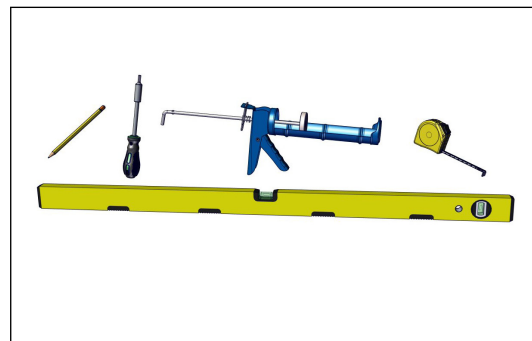
## 2. Required Tools and Supplies

You will require the following supplies for installation:

- 4 x 1/4-20" wall anchors - 1000 lb pullout strength per anchor is required
- Construction Adhesive (e.g. Heavy Duty Liquid Nails)
- Anti-pick caulk (e.g. Sikaflex 11C or Dow Corning 995 Silicone Structural Sealant)

Following tools will be needed for installation:

- Pencil or marker
- Screwdriver with bit for tamper resistant torx screw
- Caulking gun
- Tape Measure
- Level



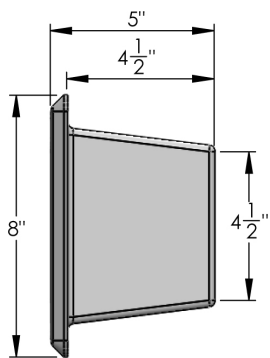
### 3. Site Preparation



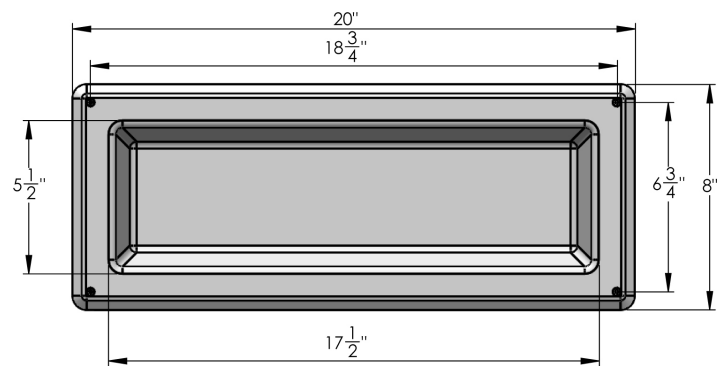
- All wall anchors should have a pull out strength of 1000 lbs or more.
- Attach the unit to a vertical surface that is able to support the weight of the unit.

### 4. Dimensions & Rough-in

Side View

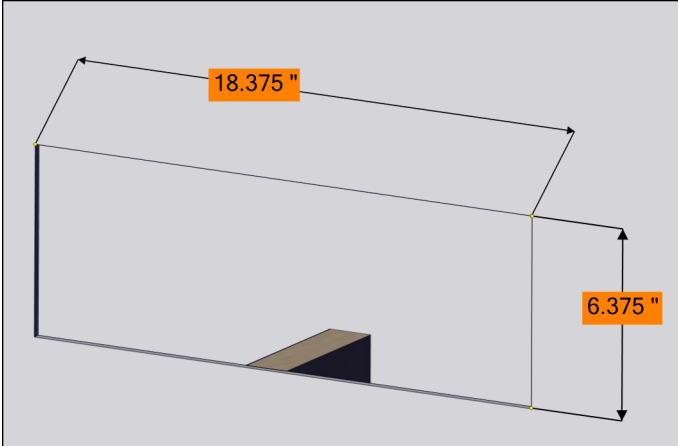


Front View

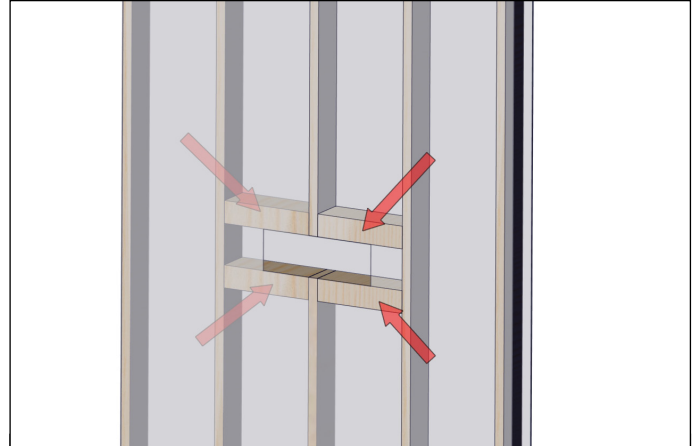


## 6. Installation

### Step 1: Rough-in



Make an opening in the wall of 18-3/8" x 6-3/8"

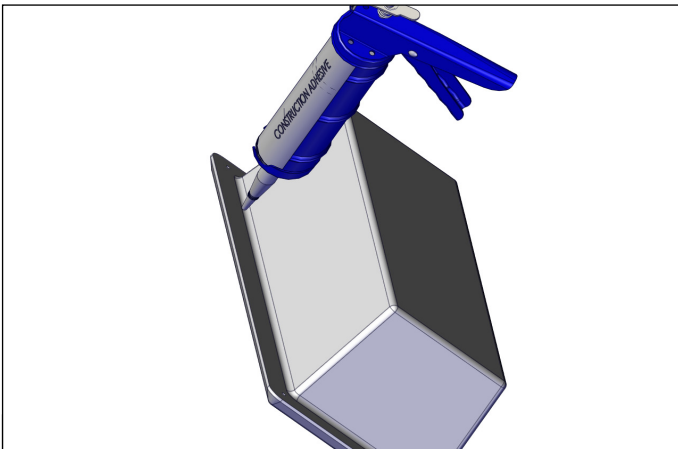


If necessary re-enforce the structure of the wall according to the rules of the trade.

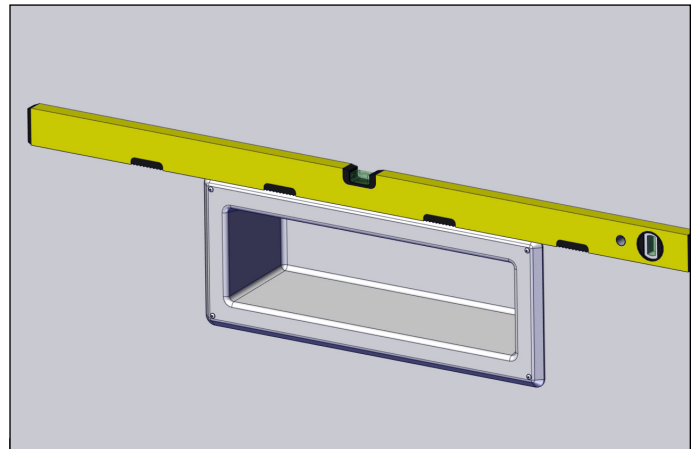


We **STRONGLY** recommend putting a piece of plywood behind the shelf to get good anchoring.

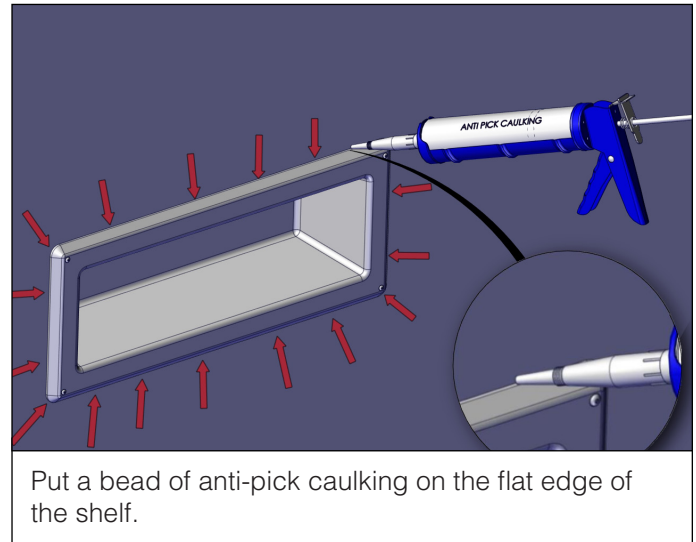
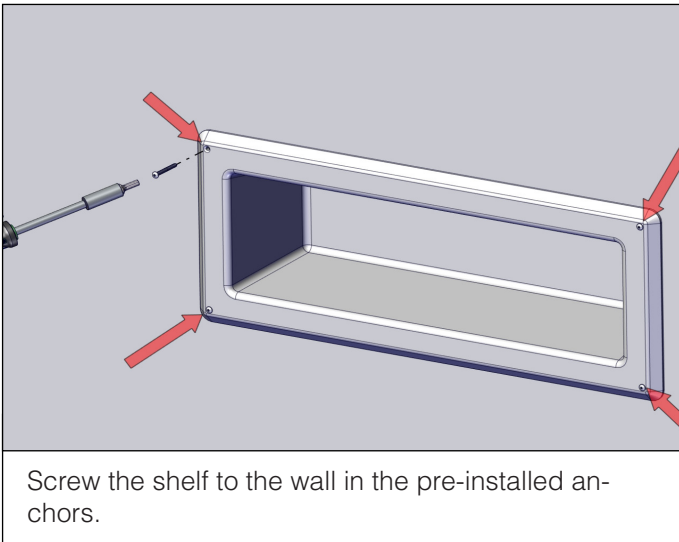
### Step 2: Installing Shelf



Put a modest amount of construction adhesive on the back rim of the shelf.



After you marked the holes and put in the anchors, put the shelf in the opening and make sure it is level.



## 7. Maintenance

Solidguard is a solid surface material made of acrylic modified polyester resins, aluminum trihydrate fillers and color granules. This synthetic compound material has an elegant granite-like appearance. Solidguard is not only virtually indestructible and easy to maintain, but equally matches perfectly from an aesthetic viewpoint, this resulting in a remarkable design with soft, rounded shapes, ideal for the public washroom.

- Daily care: wipe the surface with soapy water or a damp cloth.
- Surface staining: clean the surface with soapy water or ammonia based cleansers.
- Stubborn stains and superficial scratches: clean the surface with an abrasive cleanser and a wet sponge. You can also use a green Scotch Brite® pad.
- Stubborn scratches: sand with 400 grit sandpaper and then clean with an abrasive cleanser and a green Scotch Brite® pad.
- **AVOID** contact with harsh chemicals such as drain cleansers and paint removers.
- **AVOID** contact with hot pots or heat producing appliances.