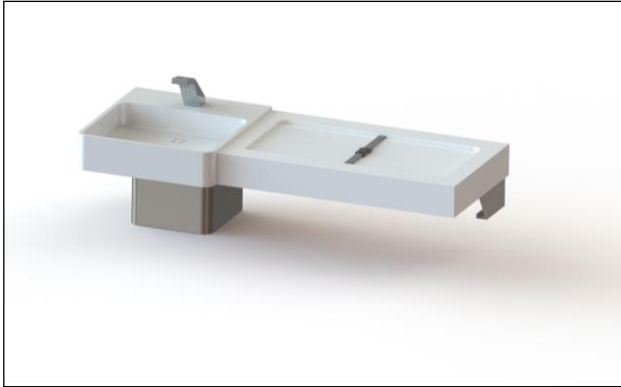


Installation



Installation Instructions for models:

MVBCL/MVBCR

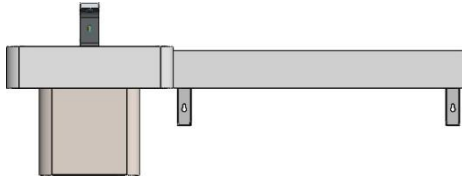
IMPORTANT

- Read instructions entirely prior to installation.
- Prior to hooking up the fixture to the water supply make sure that all the lines are flushed thoroughly.
- All wall anchors should have a pull out strength of 1000 lbs. or more.
- Units should always be installed according to local plumbing and/or electrical codes.

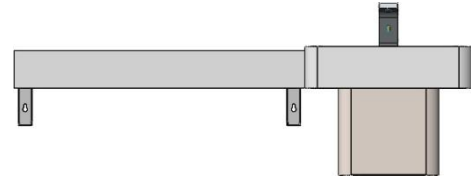
Installation

Configurations

Vivendi 20

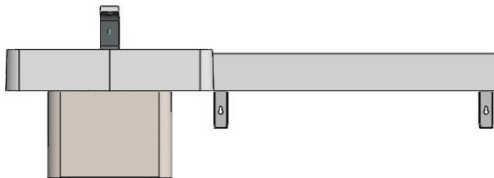


VIV20-SR-MVBCR

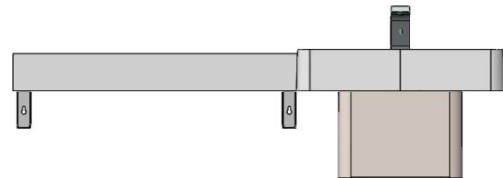


VIV20-SL-MVBCL

Modus 25

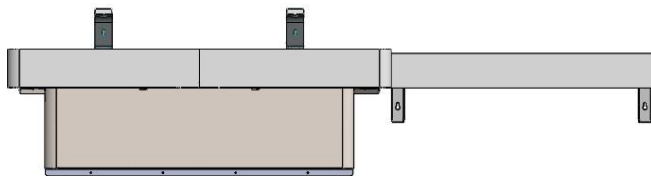


MOD25-SR-MVBCR

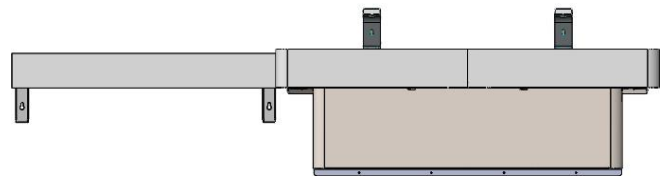


MOD25-SL-MVBCL

Vivendi 50



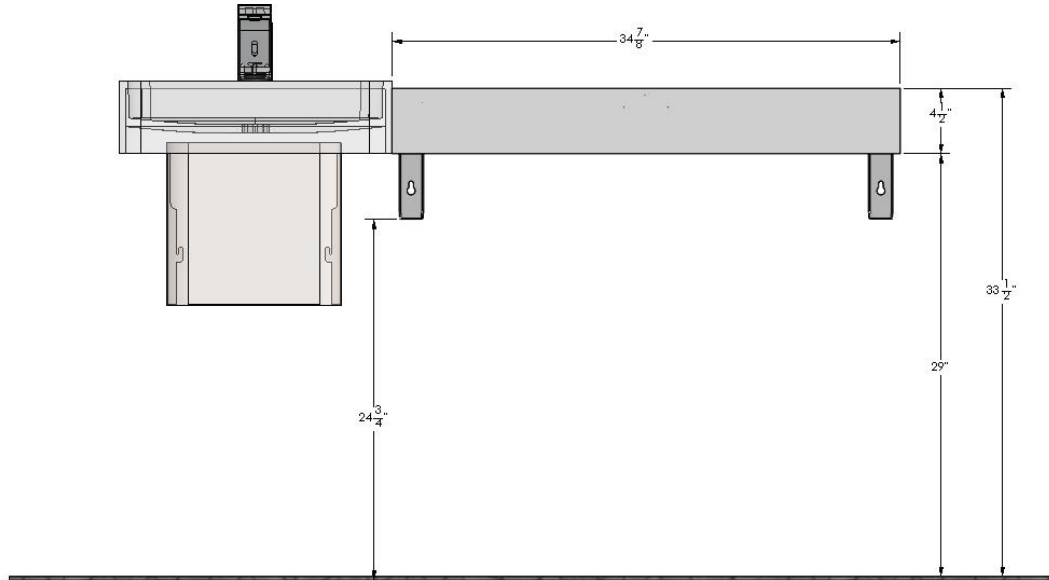
VIV50-SR-MVBCR



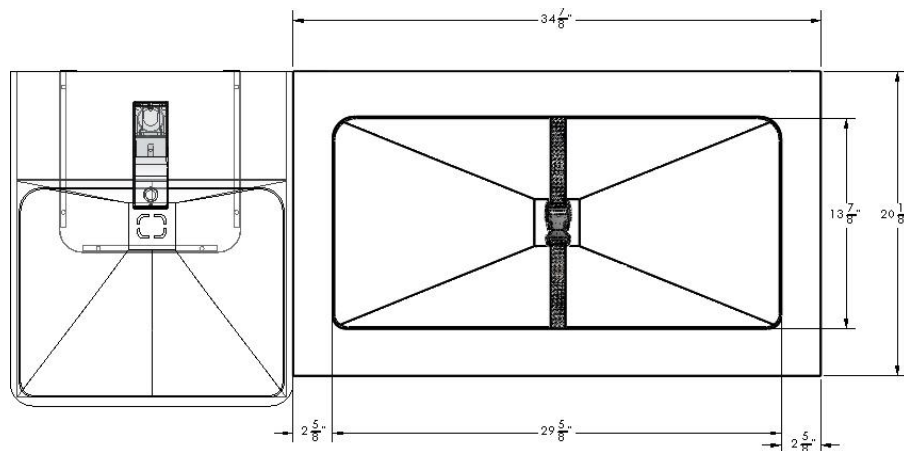
VIV50-SL-MVBCL

Installation

Front View

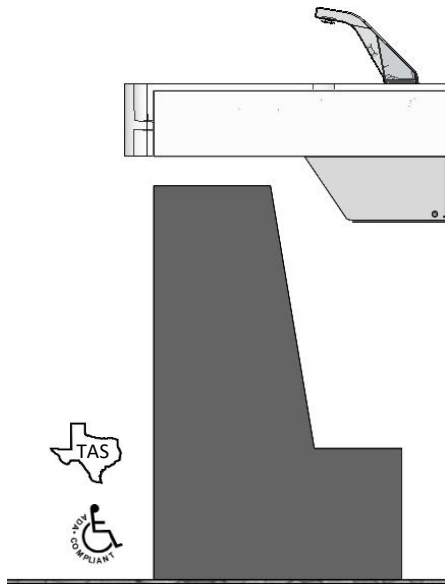


Top View



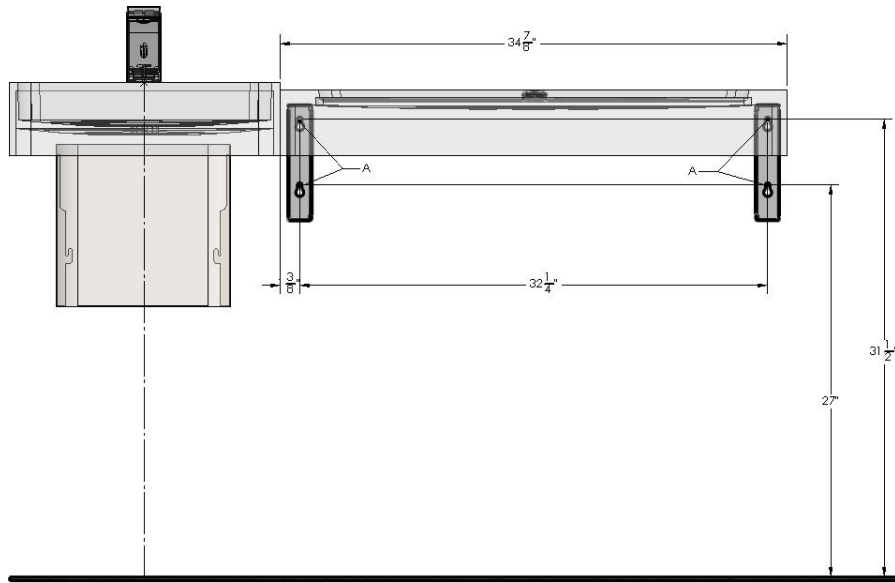
Installation

Side View (handwash station at 34" rim height)



Installation

Rough-in Dimensions



Modus-Vivendi Lavatory at 34" rim height. If different rim height for lavatory adjust height of baby changer accordingly

| Code | Description |
|------|--|
| A | 1/4" Anchors for baby changer with a pull out strength of min. 1000 lbs. |

Remark: For baby changer with baby-safe drain-option or wash down option use plumbing rough-in of accompanying lavatory.

WARNING: Be sure to use anchors with a pull out strength of 1000 lbs. Additional reinforced backing behind the wall might be required to properly mount the baby changing station and lavatory system.

WARNING: Every Modus-Vivendi with the baby changing station option is supplied with a warning sticker. It is very important that the sticker is placed right above the baby changing station. Failing to do so might result in serious injury.

 **WARNING**



WARNING Never leave child unattended.



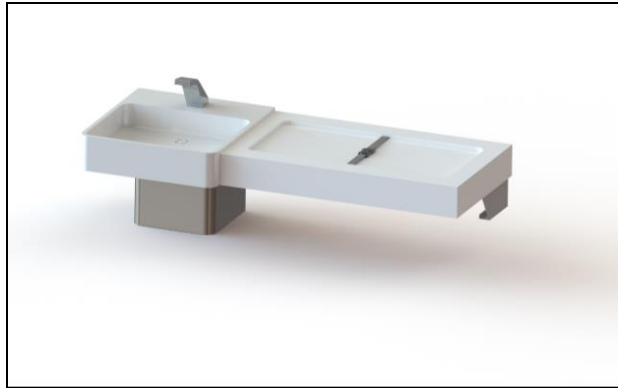
WARNING Avoid serious injury from falling or sliding out. Always use restraint.



WARNING Designed for infants only. Age up to 3.5 years and weighing less than 50 lb. Keep one hand on the child at all times.

Intersan Manufacturing Company - www.intersanUS.com

Installation



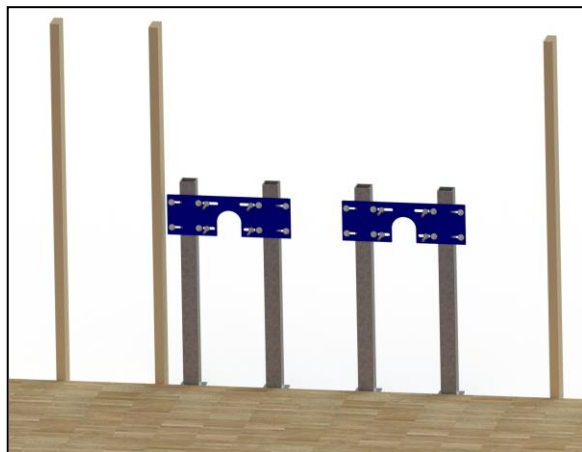
Step 1: Rough-in

- a. **When installing the fixture at non-standard height make sure to adjust the dimensions for height. The rough-in on page 5 assumes the Modus-Vivendi lavatory is mounted at 34" rim height.**
- b. Install four 3/8" anchors on the locations marked with **A** on the drawing on page 3 or 4. The anchors should have pull-out strength of 1000 lbs.

Step 2: Installing the anchors

Option 1: Using the Intersan carrier plate (-CP)

- a. Install the Intersan carrier plate on fixture support studs according to the carrier plate instructions (hardware and fixture support studs supplied by others).



Option 2: Using a backer plate in the wall

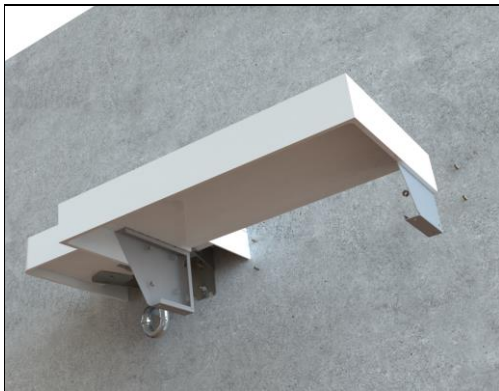


- a. In case you are not using Intersan's carrier plate we recommend you use a plywood board of sufficient thickness (5/8" or more). It is important that the plywood is attached to 2 or more studs.
- b. Use the template supplied with the fixture to mark the location of the rough-in.

Installation

Step 2: Hanging the Lavatory

- a. Hang the Modus-Vivendi Lavatory on the anchors (hardware supplied by others). Make sure the lavatory is level, and at the correct height according to local codes. If the baby changer is installed next to a Modus-Vivendi lavatory, the lavatory will be notched out to allow the baby changer to tightly fit along the lavatory.



- b. Each Modus-Vivendi lavatory is supplied with a set of shims to help you level the unit if necessary. To install the shims, loosen the bolts that hold the lavatory basin to the mounting bracket and install the shim between the mounting bracket and the bowl. After installing the shim tighten the bowl to the bracket.

Supplied shims:

- 2 x 1/16" – blue
- 2 x 1/8" – red
- 2 x 1/4" – black



Installation

- c. If desired a bead of silicone can be put where the baby changer and lavatory connect to make the installation seamless.

