



SOLIDWAVE CLASSIC

SDC01

Single User Lavatory System

Dimensions	Water Use	Certifications	Technical	Barrier Free
30" x 22 ^{3/8} " x 13 ^{3/4} "	0.35 gpm/ 0.5 gpm	 IAPMO Z124-2011 CSA B45.5-11 IAPMO IGC156 ASME A112.18.2-2011 CSA B125.2-11	Drain: 1 1/2" Supplies: 1/2" IPS Inlet Pressure: 20-100 psi	ADA TAS Alberta Building Code

Material & Construction

The countertop is made from anti-microbial solid surface. Solid surface is a composite material of acrylic polyester polymer resins and aluminum trihydrate fillers. The material is resistant to stains and burns and complies with ANSI Z124.3. Solid surface cleans easily with Scotchbrite®, household cleaners or fine grit sandpaper. Solid surface is available in 15 colors.

The Solidwave Classic includes steel powder coated support brackets, a stainless steel skirt and side panels, a steel bottom plate and a chromed strainer.

The Solidwave is supplied with 1 1/2" chromed brass grid strainers and drain assembly.

Anti-microbial

The Solidwave bowl and sides are manufactured with an anti-microbial agent. The agent is present both on the surface and on the inside of the material and will not dissipate or scratch off. In contact with moisture, anti-microbial ions will be released and effectively kill bacteria.

Activation & water distribution

The Solidwave Classic can be supplied with any of AquaDesign's electronic faucets.

As an alternate the Solidwave Classic can also be drilled for center set, 4" center or 8" center faucets by others.

Application



The Wash Basin is intended for handwashing only. It is not to be used to dispense water for human consumption either by drinking or use in the preparation of food or beverages.

LEED Compliance

When supplied with AquaDesign's faucets, The Solidwave Classic contributes to meeting LEED requirements in the following categories:

WEp1 - Water Efficiency
WEc3 - Water Use Reduction

Each of AquaDesign's faucets has a standard flow rate of 0.35 gpm

Warranty

Warranty: 5 years limited warranty on material and 1 year limited warranty on components.

SAMPLE SPECIFICATION

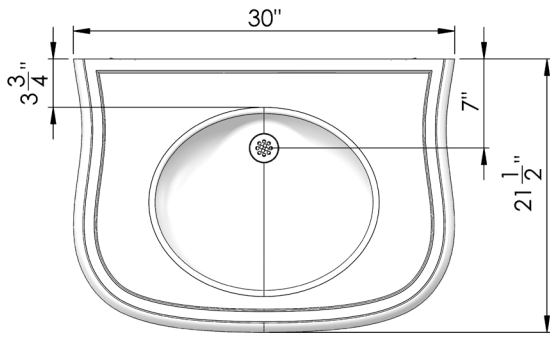
Fixture shall be AquaDesign Solidwave Classic single user hand wash station. Countertop is made from anti-microbial solid surface. The unit will have a solid surface countertop, stainless steel skirt and will have no overflow. The unit will be 30" wide.

The unit is furnished with a Line12/Line13/Line14/Line70/Omnia faucet.

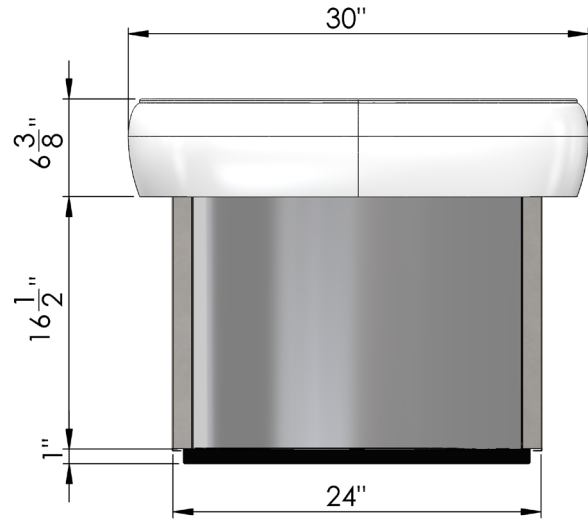


WARNING: Cancer and Reproductive Harm
www.P65Warnings.ca.gov

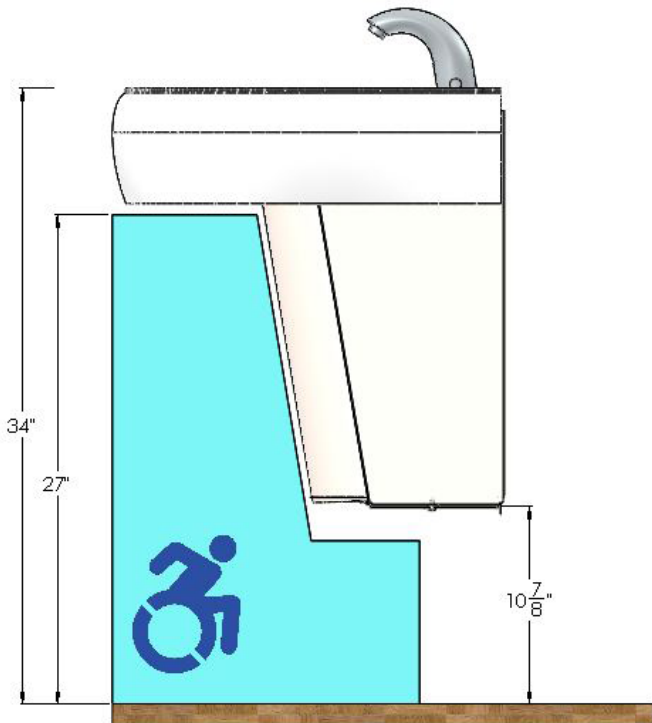
Top View



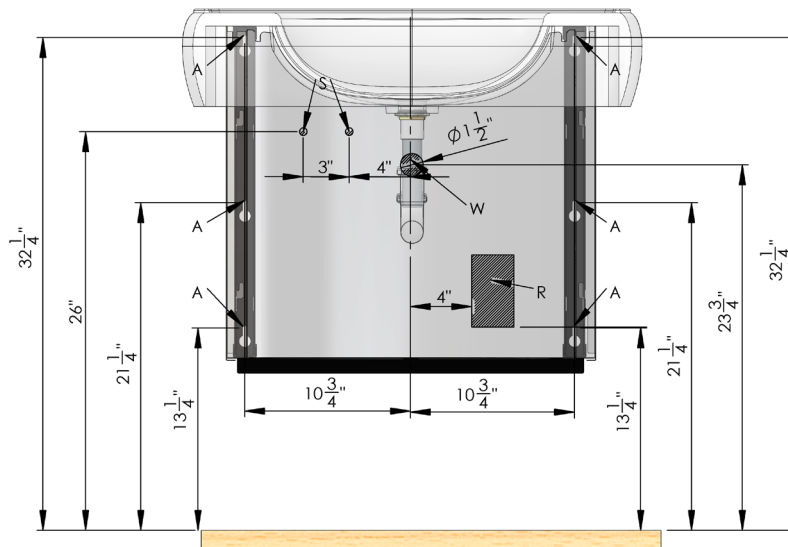
Front View



Side View Standard Height



Rough-In Dimensions



Notes:

1. Electrical receptacle must be wired to a GFCI protected circuit. Fixture must be earth grounded.
2. Consult local electrical code for need and use of extra electrical conduit box.
3. All height measurements are measured from the FINISHED floor.

Code	Description
A	1/4" Anchors (1000 lbs pull out strength)
W	1-1/2" NPT Drain
S	1/2" Hot Water Supply
S	1/2" Cold Water Supply
R	110V GFCI Outlet

Height Adjustments

Standard	Rim Height	Adjustment of A, R & W
ADA & TAS Adult	34"	None
ADA Juvenile, Age 6-12	Does Not Comply	
TAS, Grades 6 through 8 or 9	Does Not Comply	
TAS, Grades Pre-K through Grades 5 or 6	Does Not Comply	

001	Base Model Number (must specify)	
<input type="checkbox"/>	SDC01	Single User Solidwave Classic
002	Operation (must specify)	
<input type="checkbox"/>	-L12	Line 12 Sensor Faucet
<input type="checkbox"/>	-L13	Line 13 Sensor Faucet
<input type="checkbox"/>	-L14	Line 14 Sensor Faucet
<input type="checkbox"/>	-OMW	Omnia Sensor Faucet
<input type="checkbox"/>	-OML	Omnia Water & Soap Sensor Faucet
<input type="checkbox"/>	-L70	Line 70 Pushbutton Faucet
<input type="checkbox"/>	-DEK	No Faucet
003	Soap (must specify)	
<input type="checkbox"/>	-N	No Soap
<input type="checkbox"/>	-SD12	Line 12 Soap Dispenser
004	Supply (must specify)	
<input type="checkbox"/>	-TEM	Tempered or Cold Water
<input type="checkbox"/>	-TMV	Thermostatic Mixing Valve
005	Color (must specify)	
	<u>Standard Colors</u>	
<input type="checkbox"/>	-AB	Adobe Brown
<input type="checkbox"/>	-AW	Ash White
<input type="checkbox"/>	-BF	Black Forrest
<input type="checkbox"/>	-CO	Concrete Grey
<input type="checkbox"/>	-ES	Egyptian Sand
<input type="checkbox"/>	-MB	Midnight Blue
<input type="checkbox"/>	-MG	Misty Grey
<input type="checkbox"/>	-PB	Pearl Black
<input type="checkbox"/>	-PW	Polar White
<input type="checkbox"/>	-SA	Sandstone
<input type="checkbox"/>	-TG	Twilight Grey
	<u>Designer Colors</u>	
<input type="checkbox"/>	-BB	Belgian Blue
<input type="checkbox"/>	-MQ	Montreal Quartz
<input type="checkbox"/>	-PS	Paris Stone
<input type="checkbox"/>	-SR	Sydney Rock Oyster
006	Faucet Options	
<input type="checkbox"/>	-HW	Low Voltage Class II Plug-In Transformer (1 per faucet)
<input type="checkbox"/>	-CS	Hole Drilling for Center Set Faucets
<input type="checkbox"/>	-4C	Hole Drilling for 4" Center Faucets
<input type="checkbox"/>	-8C	Hole Drilling for 8" Center Faucets

Approved by:

Name: _____

Title: _____

Signature: _____

Date: _____

All information including dimensions, changes in design and material are subject to manufacturer's change without formal notice and without obligation. AquaDesign assumes no responsibility for use of superseded or voided information. Verify all rough-in information before installation. It is the responsibility of the installer to conform with local and national codes.