


Shower Head

40691

Ligature Resistant Shower Head

Certifications	Technical	Materials	Listings
 ASME A112.18.1 CSA B125.1 (2012)	Inlet: 1/2" NPT - Female Working Pressure Range: 22 - 73 psi Working Temp Range: 40°F - 176°F Nominal Flow Rate: 1.85 gpm	Construction: Brass Finish : Chrome	Patient Safety Standards, Materials and Systems Guidelines Recommended by the New York State Office of Mental Health (OMH)

Description

The GalvinCare ligature resistant shower rose provides both anti-vandalism and anti-ligature features. This shower is used extensively in high risk, high security applications such as prisons, correctional facilities and detention centres. It is accepted and recommended by the New York State Office of Mental Health.

Features

- Anti-ligature features.
- Chrome plate finish.
- Front or rear installation
- Minimises ability to hide contraband.
- Minimises suicide risk.
- Minimises self-harm risk.
- Vandal resistant design.

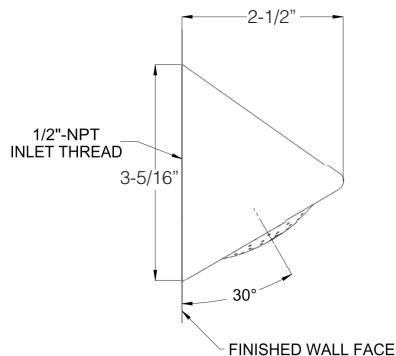
Technical Information

- Inlet: 1/2" NPT - Female
- Outlet: Shower Rose
- Headwork: N/A.
- Working Pressure Range (psi): 22 Min - 73 Max.
- Working Temperature Range (°F): 40 Min - 176 Max.
- Nominal Flow Rate: 1.85 gpm
- Construction: Brass
- Finish: Chrome.

Maintenance and Cleaning

Galvin by AquaDesign products should be cleaned with a soft damp cloth using only mild liquid detergent or soap and water. Do not use cleaning agents containing a corrosive acid, scouring agent or solvents. Do not use cream cleaners, as they are abrasive. Use of unsuitable cleaning agents may damage the surface. Any damage caused in this way will not be covered by warranty.

Regular maintenance should be carried out in accordance with the installation and troubleshooting guides provided with the product, relevant standards, local authorities and state codes.



001	Base Model Number (must specify)
<input type="checkbox"/>	40691 Ligature Resistant Shower Head



WARNING: Cancer and Reproductive Harm
www.P65Warnings.ca.gov

In the absence of a legal or industry definition of anti-ligature or ligature resistant products, when we use these terms, we are referring to products that are designed and manufactured with the intention of reducing the risk of ligature attachment to the product(s). Galvin Engineering Pty Ltd will always endeavour to design and test our anti-ligature product(s) to reduce the risk of product ligature attachment that may result in serious injury or death. Whilst all reasonable measures are taken at the time of design, the anti-ligature design of the products are not intended to and will not:

- Replace protective measures that need to be taken in the specific circumstances of usage;
- Substitute the need for supervision of those who may be at risk;

- Protect and or prevent those at risk against any self-harm instances that may occur when installed; and
- Protect and or prevent injury when the risks where unknown to us at the time of the design of the product(s).

Galvin Engineering Pty Ltd and AquaDesign Manufacturing do not offer and do not represent or warrant that any product(s) for sale that are ligature-free. Therefore, Galvin Engineering and AquaDesign Manufacturing will not be liable for any claims, loss, or damages arising from ligature attachment on our products. It is the purchaser's responsibility to ensure that products purchased and installed are suitable for the environments in which they are installed, and suitable supervision and protective measures are in place to protect those at risk.

Whilst all reasonable care has been taken in compiling the information in this document, the designs, dimensions and products shown are indicative only and should not be relied upon without our prior approval. Due to our policy of continuous development, we reserve the right to alter any details of specifications or products without notice. All information, drawings, technical specifications and product designs remains the property of Galvin Engineering Pty Ltd.