



SANISPRAY COLLECTIVE FOOT

CF4/CF5

Semi-Circular Washfountain

Footprint	Water Use	Certifications	Technical	Barrier Free
4-user: 31" x 39" 5-user: 38 ^{3/8} " x 54"	4-user: 1 gpm 5-user: 1.3 gpm	 ASME A112.18.1-12 CSA B125.1-12 ASME A112.18.2-2011 CSA B125.2-11 ASME A112.19.3-2008 CSA B45.4-08	Drain: 2" Supplies: 1/2" Inlet Pressure: 17-100 psi Vent Size: 1 1/2"	Foot Control is Never Compliant

Material & Construction

The 39" or 54" semi-circular **stainless steel bowl** can serve 4 or 5 users at a time. The bowl is made of 16 gauge type 304 stainless steel and has a parabolic shape for added strength. The parabolic shape keeps the water spray inside the bowl and makes the bowl self-cleaning and self-draining.

The bowl is available made of 16 gauge type 304 stainless steel or it can be supplied in **solid surface**. Solid surface is a composite material of acrylic polyester polymer resins and aluminum trihydrate fillers.

The pedestal and scuff base are constructed of cold laminated 12 gauge steel, treated against corrosion by zinc phosphate and powder coating. The pedestal has a vandal resistant steel access panel at the front of the pedestal. Three rubber joints are fitted between floor, scuff base, pedestal and bowl. Anchoring bolts made of zinc coated steel are provided.

The 11 gauge **stainless steel riser column** serves the purpose of both a housing for the supply pipes and the vent pipe, and a support for the water distribution head. The pre-installed vent pipe is also the central tie part for the rigid assembly of the washfountain, making wall braces unnecessary. The dome grated column base provides a central 360° drain and has an internal easy to clean grid.

The **spraying** serves 4 or 5 users and its openings are 30° inclined to make sure that water doesn't splash over the bowl. The spraying has a water consumption of 1.00 gpm or less for the 4-user and 1.30 gpm or less for the 5-user fixture.

The **internal plumbing system** includes a braided stainless steel supply line to the spraying and a thermostatic mixing valve (if chosen) with 2 check valves and 2 strainers. The mixing valve is preset at 104° F (±4°F). The thermostat requires the hot water to be between 130° F and 167°F with a pressure of min. 17 psi at the inlet. The thermostatic mixing valve shuts off when hot or cold water fails.

Soap Options

The fixture can be provided with a liquid or powdered 6 quart stainless steel soap dispenser. The soap dispenser is provided with 2 or 3 soap mechanisms. As an alternate the fixture can be supplied with a stainless steel soap tray or with a mounting bracket for a soap dispenser supplied by others.

Foot Activation

The foot operation mechanism consists of a semi-circular foot rail, accessible all around the washfountain, made of heavy duty corrosion treated steel pipe. This foot rail is connected inside the pedestal with a single mechanical control valve. This valve is designed for trouble free operation under varying water pressure conditions. Water is supplied to the spraying as long as the foot rail is activated.

Application



The Sanispray washfountain is intended for handwashing only. It is not to be used to dispense water for human consumption either by drinking or use in the preparation of food or beverages.

LEED Compliance

The Sanispray contributes to meeting LEED requirements in the following categories: WEp1 - Water Efficiency
WEC3 - Water Use Reduction

The 4-user fixture has a water flow of 1.00 gpm regardless of the number of users (=0.25 gpm per user). The 5-user fixture dispenses 1.30 gpm for 5 users (0.26 gpm per user). Foot operated units will dispense water as long as the foot rail is activated.

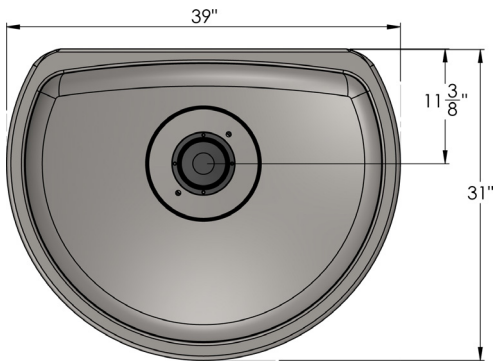
Warranty

5 years limited warranty on material and 3 years limited warranty on components.

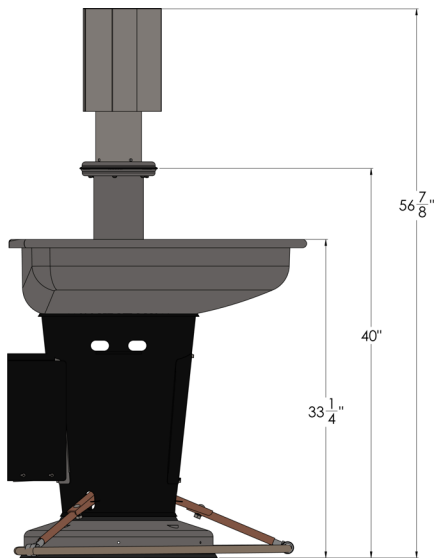


WARNING: Cancer and Reproductive Harm
www.P65Warnings.ca.gov

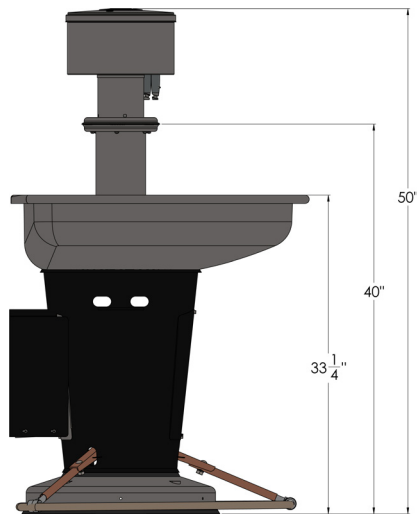
Top View CF4



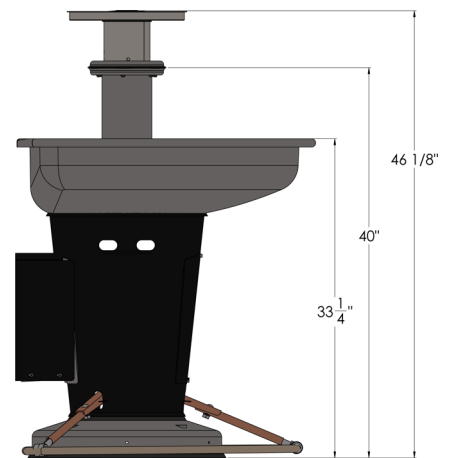
Side View CF4



with soap dispenser bracket

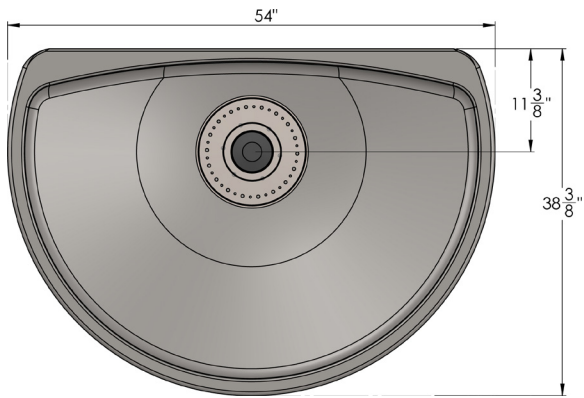


with liquid or powdered soap

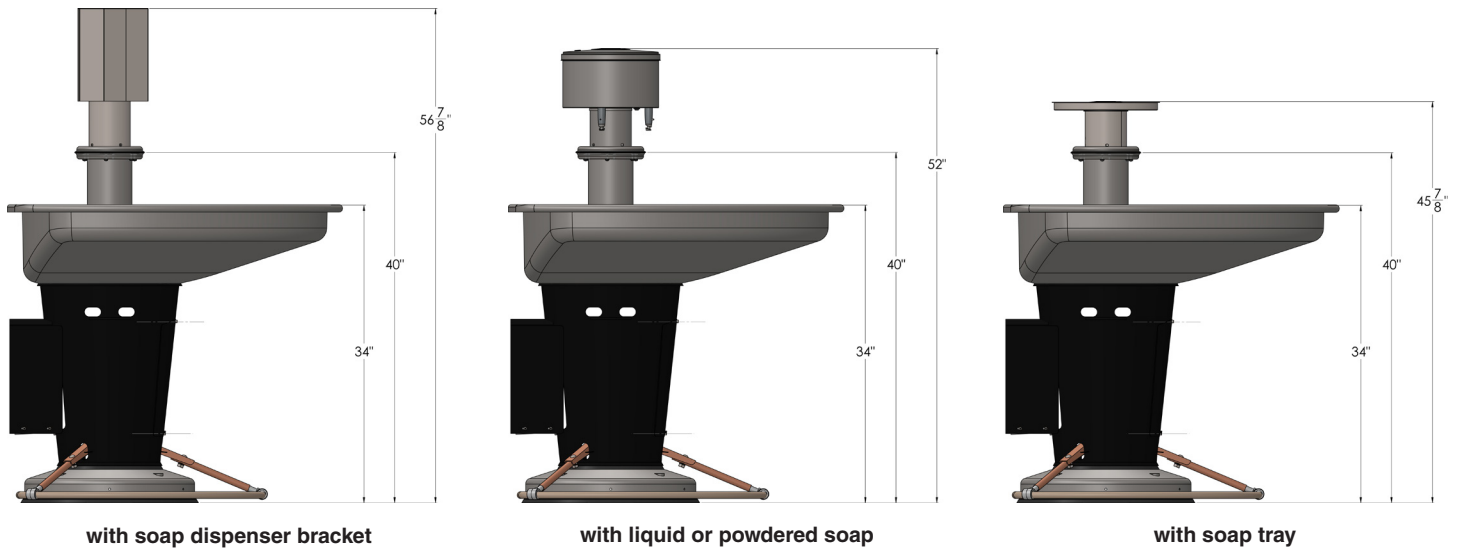


with soap tray

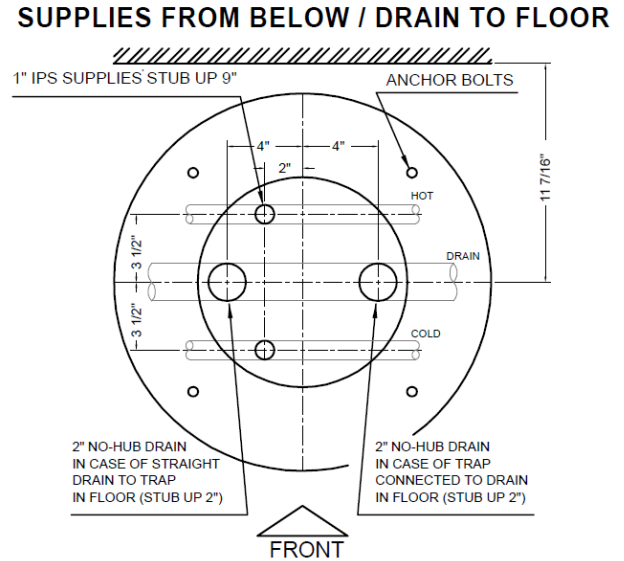
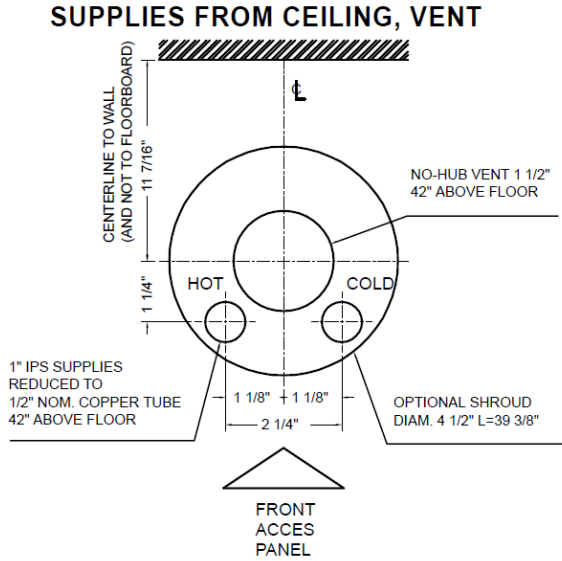
Top View CF5



Side View CF5



Rough-In Dimensions



Minimum distance between two washfountains: 48"

Supplies:

- For supplies from water mains to each SANISPRAY, use 1/2" copper pipe.
- When AquaDesign's flexible lines are supplied, they will extend all the way through the column up to the top of the unit (when used as supplies from above).
- Connections are 1/2"F or 1/2" solder.

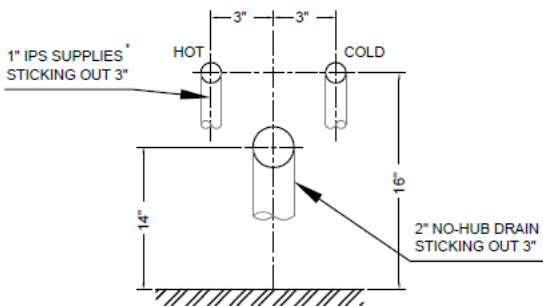
Trap/Drain/Vent:

- Connection straight drain: 2" no-hub.
- Height from floor of the drain to the drain outlet of the trap: see appropriate drawing.
- Connection of vent: 1 1/2" no-hub.

Functional Requirements:

1. For the proper functioning of the control valve(s):
 - The hot and cold supply line should be dimensioned according to the total potential water consumption of the washroom.
 - Assure at all times the availability of minimum 17psi (max. 100 psi) at the inlet of the valve when the washfountain is working.
2. For the proper functioning of the thermostatic mixing valve:
 - Hot and cold water supply line pressures should be equally balanced.
 - Hot water at temperatures between 130°F and 167°F should be available at the inlet of the thermostat.
 - The thermostat is preset at 104°F (precision +/- 4°F).
 - Anti-scald characteristics: the valve throttles down the flow to a minimum, when cold water fails.

Standard Height Pedestal



001 Base Model Number (must specify)		
<input type="checkbox"/>	CF439	4-User Collective Foot Sanispray
<input type="checkbox"/>	CF554	4-User Collective Foot Sanispray
002 Supply (must specify)		
<input type="checkbox"/>	-1	Tempered or Cold Water
<input type="checkbox"/>	-2	Thermostatic Mixing Valve
003 Soap (must specify)		
<input type="checkbox"/>	-T	Soap Tray
<input type="checkbox"/>	-P	Powdered Soap Dispenser
<input type="checkbox"/>	-L	Liquid Soap Dispenser
<input type="checkbox"/>	-B	Soap Bracket for Soap By Others
004 Pedestal Option (must specify)		
<input type="checkbox"/>	-BP	Black Powder Coated Pedestal
<input type="checkbox"/>	-SP	Stainless Steel Pedestal
005 Bowl (must specify)		
<u>Stainless Steel</u>		
<input type="checkbox"/>	-SB	Stainless Steel Bowl
<u>Solid Surface</u>		
<input type="checkbox"/>	-AB	Adobe Brown
<input type="checkbox"/>	-AW	Ash White
<input type="checkbox"/>	-BF	Black Forrest
<input type="checkbox"/>	-CO	Concrete Grey
<input type="checkbox"/>	-ES	Egyptian Sand
<input type="checkbox"/>	-MB	Midnight Blue
<input type="checkbox"/>	-MG	Misty Grey
<input type="checkbox"/>	-PB	Pearl Black
<input type="checkbox"/>	-PW	Polar White
<input type="checkbox"/>	-SA	Sandstone
<input type="checkbox"/>	-TG	Twilight Grey
006 Quick Connect Options		
<input type="checkbox"/>	-22FLEXDR	Flexible Drain Connector
<input type="checkbox"/>	-(1)P3020	Stainless Flexible Supply for Tempered Water
<input type="checkbox"/>	-(2)P3020	Stainless Flexible Supplies for Mixing Valve
007 Other Options		
<input type="checkbox"/>	-S	Stainless Shroud (39 ^{3/8} "")
<input type="checkbox"/>	-TDH	Towel Dispenser (2 pieces)
<input type="checkbox"/>	-HBL	Hose Bib Left Side
<input type="checkbox"/>	-HBR	Hose Bib Right Side
008 Anti-Microbial Solid Surface		
<input type="checkbox"/>	-AMSS	Anti-Microbial agent in sink bowl

Approved by:

Name: _____

Title: _____

Signature: _____

Date: _____

All information including dimensions, changes in design and material are subject to manufacturer's change without formal notice and without obligation. AquaDesign assumes no responsibility for use of superseded or voided information. Verify all rough-in information before installation. It is the responsibility of the installer to conform with local and national codes.