




# Line70

# L70C

## Push Button Faucet

| Dimensions                          | Water Use | Certifications   | Technical                                       |
|-------------------------------------|-----------|--|---|
| Height: 5-7/8"<br>Nozzle Height: 2" | 0.5 gpm   |  ASME A112.18.1<br>CSA B125.1 | Supplies: 1/2" IPS<br>Inlet Pressure: 8-116 psi |

### Description

The Line 70 faucet is available as either a deck mounted (L70C-D) or wall mounted (L70C-W) version.

The faucet has a self closing ceramic cartridge with a lifespan of up to 500,000 uses.

The faucet is supplied with a 19" flexible supply hose.

### Technical Specifications

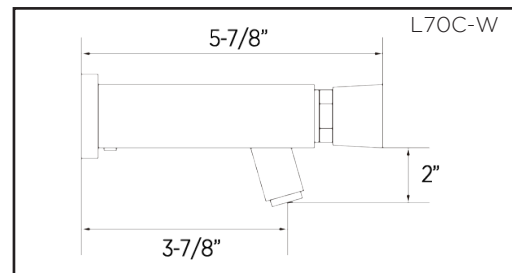
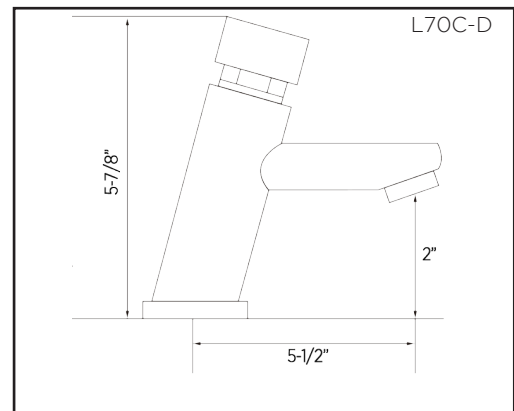
- Maximum water flow duration per cycle: 4-8 seconds
- Water Pressure: 8-116 psi
- Water flow (at 43 psi): 0.5 gpm
- Working temperature water: 40-130°F \*
- Material: Chrome Plated brass
- Average cartridge life: 500,000 uses

### Application

The Line70 Faucets are not to be used to dispense water for human consumption either by drinking or use in the preparation of food or beverages.

### Warranty

2 year limited warranty.



|                          |   |                            |
|--------------------------|---|----------------------------|
| 001                      | <b>Base Model Number</b> (must specify) |                            |
| <input type="checkbox"/> | L70C                                    | Line 70 Push Button Faucet |
| 002                      | <b>Version</b> (must specify)           |                            |
| <input type="checkbox"/> | -D                                      | Deck Mounted               |
| <input type="checkbox"/> | -W                                      | Wall Mounted               |
| 003                      | <b>Water Supply</b> (must specify)      |                            |
| <input type="checkbox"/> | -1                                      | Tempered or Cold Water     |
| <input type="checkbox"/> | -2                                      | Thermostatic Mixing Valve  |



**WARNING:** Cancer and Reproductive Harm  
[www.P65Warnings.ca.gov](http://www.P65Warnings.ca.gov)