



Shower Mixer

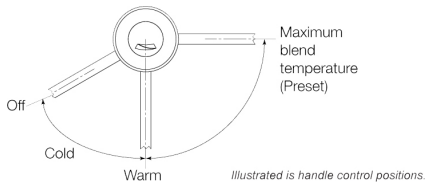
WM-TMVPMSCS

Ligature Resistant Thermostatic Shower Valve

Certifications	Technical	Materials	Accessibility
 ASME A112.18.1 CSA B125.1 (2012)	Inlet: 1/2" NPT - Male Outlet: 1/2" NPT - Male Working Pressure Range: 3 - 73 psi Operating Temp Range: Cold - 113°F	Construction: Brass Finish : Chrome	Compliant No tight grasping, pinching, or twisting of the wrist required to activate the valve

Operation and Application

As the handle is rotated counter-clockwise from the off position the delivered water progresses from cold through warm to the preset maximum temperature.



This new design may be used in shower applications and, provides state of the art features to comply with healthcare requirements. The GalvinCare lever handle operates on/off temperature controls for straight forward operation. Suitable for high and low pressure systems it can be set to deliver a thermostatically controlled water temperature of 113°F maximum.

Features


- Enables water to be mixed closer to the point of discharge, minimising stagnant warm water which provides ideal conditions legionella bacteria to grow.
- Smooth internal components and body, reduces scale build-up and bacteria growth.
- Maximum temperature limiter fitted for protection from accidental scalding.
- The GalvinCare control handle is easy to use, and minimises ligature risk.
- Water flow starts from cold ensuring safe usage.
- Clean smooth lines which facilitates fast and easy cleaning and pairs well our current ranges of healthcare taps.
- All servicing and commissioning can be done without removing the device. Easy access isolators, help minimize time spent on commissioning and maintenance.
- Designed to provide stable mixed temperature with rapid shut down in the event of cold or hot water.

Technical Information

- Hot Temperature Supply Range (°F): 122 - 185
- Cold Temperature Supply Range (°F): 41 - 77
- Adjustable Temperature (°F): 95 - 113
- Operating Working Pressure (kPa): 3 - 72.5
- Maximum Outlet Pressure*(psi): 72.5
- Permitted Supply Pressure Variation: 10:1
- Operating Thermostatic Temp. Range*(°F): Full cold - 113
- Factory Set Thermostatic Temp. Range(°F): 102 - 106
- Maximum Thermostatic Temperature (°F): 113
- Minimum Flow Rate (gpm): 0.5
- Maximum Flow Rate (gpm): 4.75
- Construction: DZR Brass
- Finish: Chrome

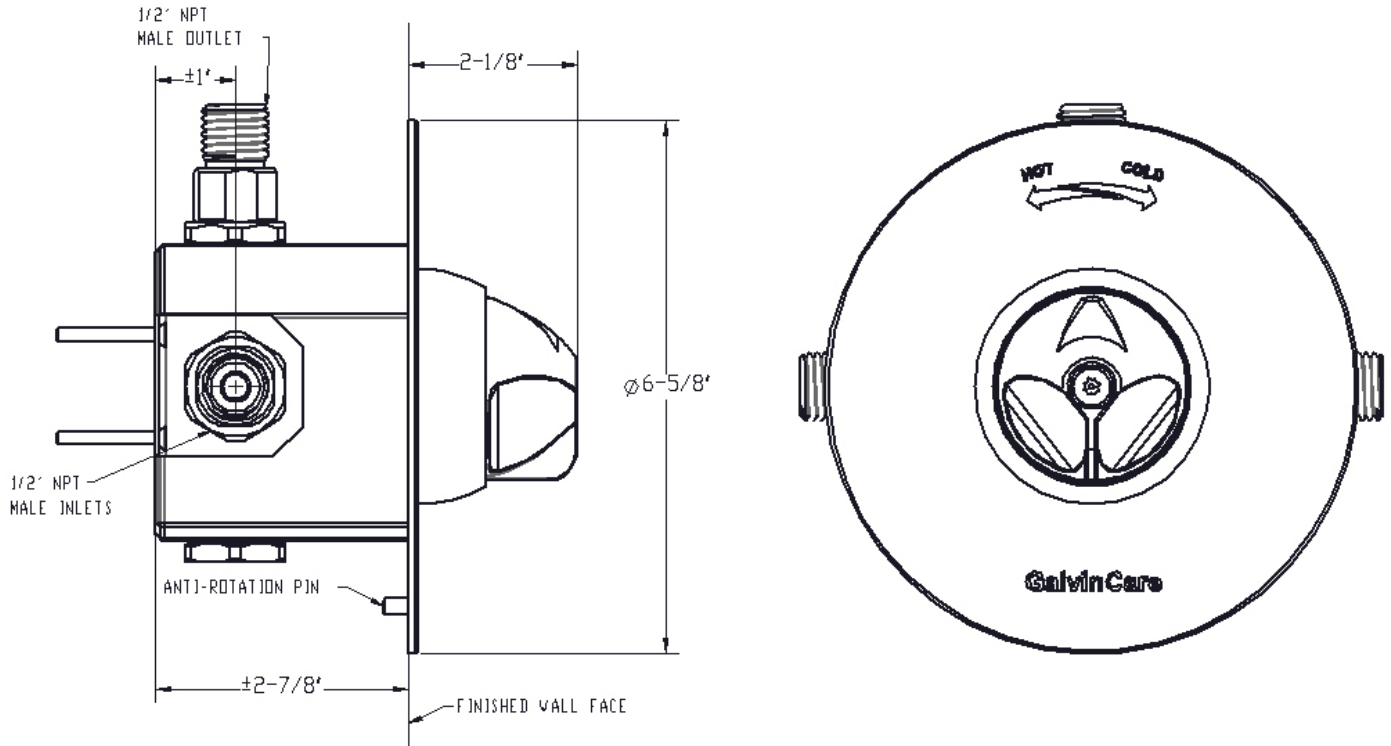
Maintenance and Cleaning

Galvin by AquaDesign products should be cleaned with a soft damp cloth using only mild liquid detergent or soap and water. Do not use cleaning agents containing a corrosive acid, scouring agent or solvents. Do not use cream cleaners, as they are abrasive. Use of unsuitable cleaning agents may damage the surface. Any damage caused in this way will not be covered by warranty.



WARNING: Cancer and Reproductive Harm
www.P65Warnings.ca.gov

Dimensions



001	Base Model Number (must specify)
<input type="checkbox"/> WM-TMVPMSCS	Behavioral Healthcare Progressive Thermostatic Shower Mixer

In the absence of a legal or industry definition of anti-ligature or ligature resistant products, when we use these terms, we are referring to products that are designed and manufactured with the intention of reducing the risk of ligature attachment to the product(s). Galvin Engineering Pty Ltd will always endeavour to design and test our anti-ligature product(s) to reduce the risk of product ligature attachment that may result in serious injury or death. Whilst all reasonable measures are taken at the time of design, the anti-ligature design of the products are not intended to and will not:

- a. Replace protective measures that need to be taken in the specific circumstances of usage;
- b. Substitute the need for supervision of those who may be at risk;
- c. Protect and or prevent those at risk against any self-harm instances that may occur when installed; and
- d. Protect and or prevent injury when the risks where unknown to us at the time of the design of the product(s).

Galvin Engineering Pty Ltd and The Intersan Group do not offer and do not represent or warrant that any product(s) for sale that are ligature-free. Therefore, Galvin Engineering and The Intersan Group will not be liable for any claims, loss, or damages arising from ligature attachment on our products. It is the purchaser's responsibility to ensure that products purchased and installed are suitable for the environments in which they are installed, and suitable supervision and protective measures are in place to protect those at risk.

Whilst all reasonable care has been taken in compiling the information in this document, the designs, dimensions and products shown are indicative only and should not be relied upon without our prior approval. Due to our policy of continuous development, we reserve the right to alter any details of specifications or products without notice. All information, drawings, technical specifications and product designs remains the property of Galvin Engineering Pty Ltd.